



# 04 Human Machine Interface

<b>PC Enclosure Range</b>	
PC Enclosure, MCM.....	434
<b>Console Range</b>	
Compact console, MPG.....	438
Modular console, MPC.....	442
Compact console, MPGS.....	450
Modular console, MPC.....	454
Accessories for consoles.....	462
<b>Swing Arm System</b>	
Control enclosure, OICE.....	468
Accessories for control enclosure.....	472
Control panel, OICP.....	474
Accessories for control panel.....	478
Light swing arm system, S1.....	480
Accessories.....	482
Medium swing arm system, S2.....	490
Accessories.....	492



# Human Machine Interface

## PC Enclosure Range | Mild Steel

### Mild steel | MCM

IP 44 | IK 10



**Material:**

Frame: 1.5 mm steel plate. Roof and side panels: 1.35 mm steel plate. Doors: 2 mm steel plate. Bottom plates: 1 mm galvanized steel.

**Frame:**

Seam welded reversed open profiles with 25 mm hole pattern, according to DIN 43660. Including integrated external hole pattern.

**Door:**

Mounted with two hinges per door. Top door with safety glass. Viewing area for 14"-21" monitor. Two C21323 locks for the top door, and espagnolette two point locking system, with standard 3 mm double-bit lock for the bottom door.

**Rear door:**

Mounted with hinges, allowing left or right hand opening. Including door frame, with 25 mm hole pattern. Espagnolette four point locking system, with standard 3 mm double-bit lock.

**Keyboard panel:**

Vertical opening keyboard panel. Sliding mouse pad, allowing left or right hand use. Max keyboard dimensions: 470 x 190 x 45 mm. C21323 lock.

**Bottom plates:**

Consists of three or four (D > 600) pieces.

**Finish:**

Two tone finish. Doors, side panels, roof and frame in RAL 7035 structured powder coating. Keyboard side panels and monitor door top cover in RAL 7015 structured powder coating. Other colour schemes optional.

**Features:**

Special design of roof and side panels for theft security. All panels are only accessible when the doors are unlocked. Your own company name can be inserted in the top cover (option).

**Protection:**

IP 44 | IK 10. With keyboard tray opened, reduces to IP 30.

**Mounting requirements:**

Equipment shelves need to be added.

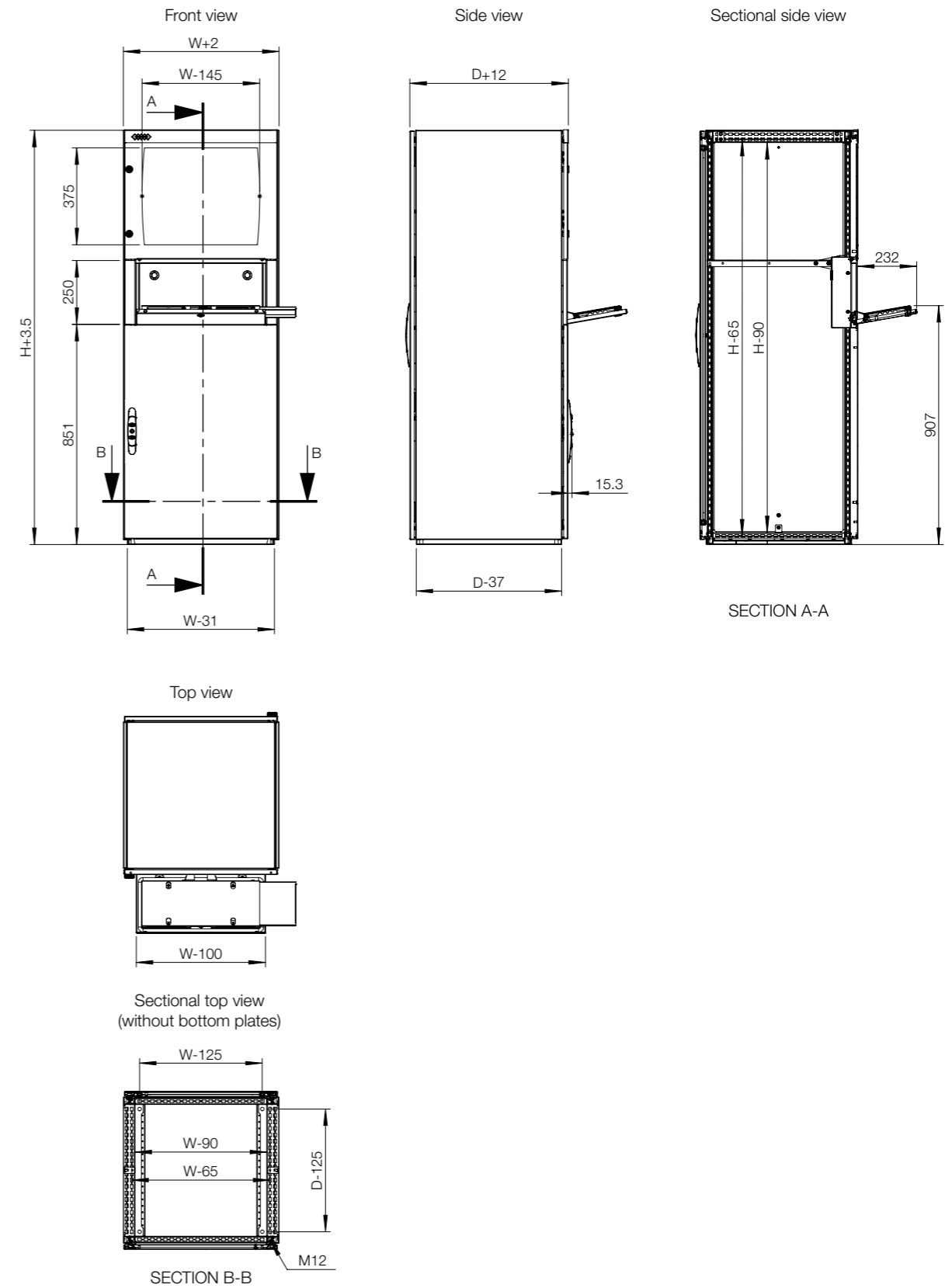
**Delivery:**

Frame with fitted rear door, side panels, roof panel, monitor door, keyboard panel, bottom plates and monitor shelf, with clamps to fix the monitor. Delivery also includes earthing bolts. The enclosure is delivered on a pallet identical to the enclosure width. All packing material is recyclable.



IP 44 | IK 10

Enclosure dimensions			
H Plinth	W	D	Item no.
1600	600	600	MCM16066
1600	600	800	MCM16068



# Human Machine Interface Console Range | Mild Steel Compact | MPG

IP 66 | TYPE 4, 12, 13 | IK 10 (single door); IP 55 | TYPE 12, 13 | IK 10 (double door)

**Material:**

Body and door: 1.5 mm mild steel. Rear panel: 1.5 mm mild steel. Bottom plates: 1.2 mm galvanized steel. Mounting plate: 2.5 mm galvanized steel.

**Body:**

Folded and seam welded. Console construction includes a base that provides a distance between the floor and the lower part of the door/s, acting as an integrated plinth.

**Doors and panels:**

Single folded surface mounted with hinges, allowing left and right-hand opening to base door. Angle 12° from horizontal. Concealed hinges on top edge allow 90° opening. Panel held open by self engage/self release mechanical panel stay. Double door on 1200 and 1600 mm wide base units.

**Mounting plate:**

Standard mounting plate in base unit.

**Lock:**

Double-bit 3 mm locks for top panel. For base, two double-bit 3 mm locks. Other options available. See wall mounting section.

**Cable inlet:**

Bottom opening for cable access. Bottom plates for cable glanding supplied as standard.

**Earthing:**

M8 threaded studs on body, door, top panel and rear panel.

**Finish:**

RAL 7035 structured powder coating.

**Protection:**

Single door: IP 66 | TYPE 4, 12, 13 | IK 10. Double door: IP 55 | TYPE 12, 13 | IK 10.

**Delivery:**

Mounting plate and suitable nuts and washers for earthing. The console is delivered on a wooden pallet.



**IP 66 | TYPE 4, 12, 13 | IK 10 (single door); IP 55 | TYPE 12, 13 | IK 10 (double door)**

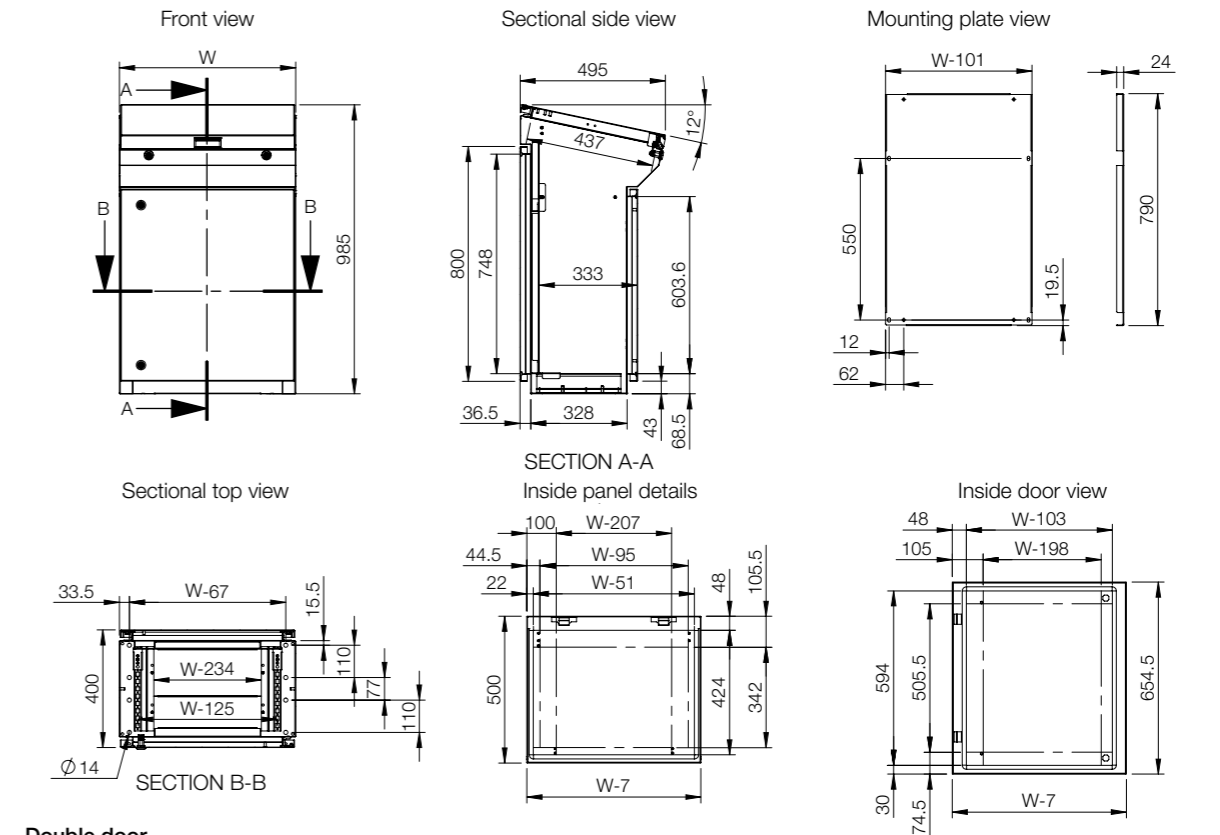
Mild steel

Enclosure dimensions			Mounting plate dimensions		Usable depth		Item no.
H	W	D	h	w	d		
985	600	400	790	499	333	MPG06R5	
985	800	400	790	699	333	MPG08R5	
985	1000	400	790	899	333	MPG10R5	
985	1200	400	790	1099	333	MPG12R5	
985	1600	400	790	1499	333	MPG16R5	

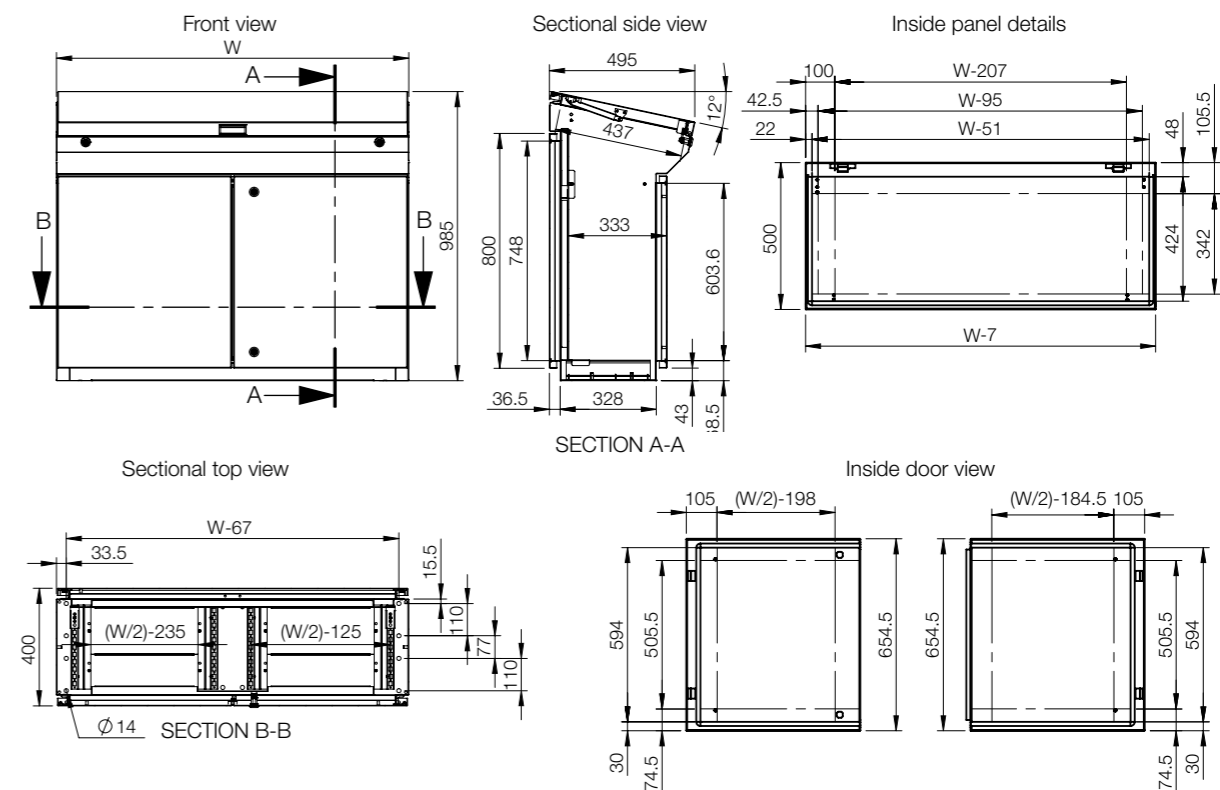
Note: Only 1200 mm and 1600 mm wide consoles have double door.



**Single door**



**Double door**



# Human Machine Interface

## Console Range | Mild Steel

### Modular | MPC

IP 66 | TYPE 4, 12, 13 | IK 10 (single door); IP 55 | TYPE 12, 13 | IK 10 (double door)



#### Material:

Body and door: 1.5 mm mild steel. Rear panel: 1.5 mm mild steel. Bottom plates: 1.2 mm galvanized steel. Mounting plate: 2.5 mm galvanized steel.

#### Body:

Folded and seam welded. Console construction includes a base that provides a distance between the floor and the lower part of the door/s, acting as an integrated plinth.

#### Doors and panels:

Single folded surface mounted with hinges, allowing left and right-hand opening to base door. Top section and desk panels held open by self engage/self release mechanical panel stays. Concealed hinges, allowing 90° opening on the desk. Double door on 1200 and 1600 mm wide base units.

#### Mounting plate:

Standard mounting plate in base unit. Fixed by fixing brackets on C rail, top and bottom, for depth adjustment. Optional in desk and top section units.

#### Lock:

Double-bit 3 mm locks for top section and desk unit. For base, two double-bit 3 mm locks. Other options available. See wall mounting section.

#### Cable access:

Bottom opening in base unit for cable access. Bottom plates for cable glanding supplied as standard.

#### Earthing:

M8 threaded studs on bodies, doors and rear panels.

#### Finish:

RAL 7035 structured powder coating.

#### Protection:

Single door: IP 66 | TYPE 4, 12, 13 | IK 10. Double door: IP 55 | TYPE 12, 13 | IK 10.

#### Delivery:

The base unit is provided with a mounting plate as standard. Desk and top section units have mounting plates provided as accessories. All top and base openings can be closed by choosing the appropriate accessory plate. Suitable nuts and washers for the various earthing studs are provided.



IP 66 | TYPE 4, 12, 13 | IK 10 (single door); IP 55 | TYPE 12, 13 | IK 10 (double door)

Top section units | Mild steel

Enclosure dimensions				Item no.
H	W	D		
500	600	494		MPC061R5
500	800	494		MPC081R5
500	1000	494		MPC101R5
500	1200	494		MPC121R5
500	1600	494		MPC161R5

Desk units | Mild steel

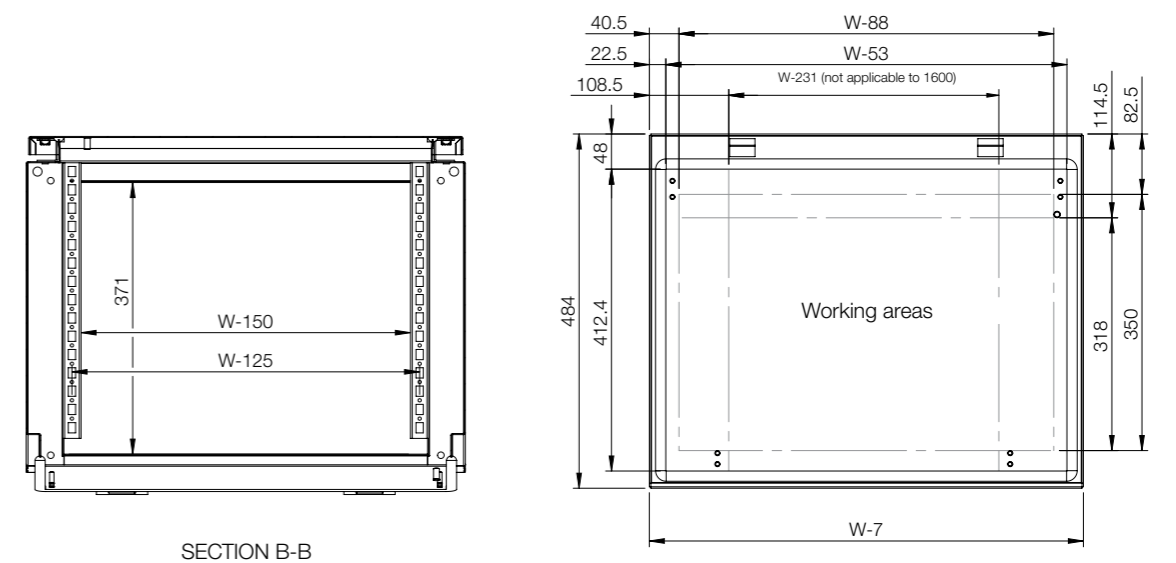
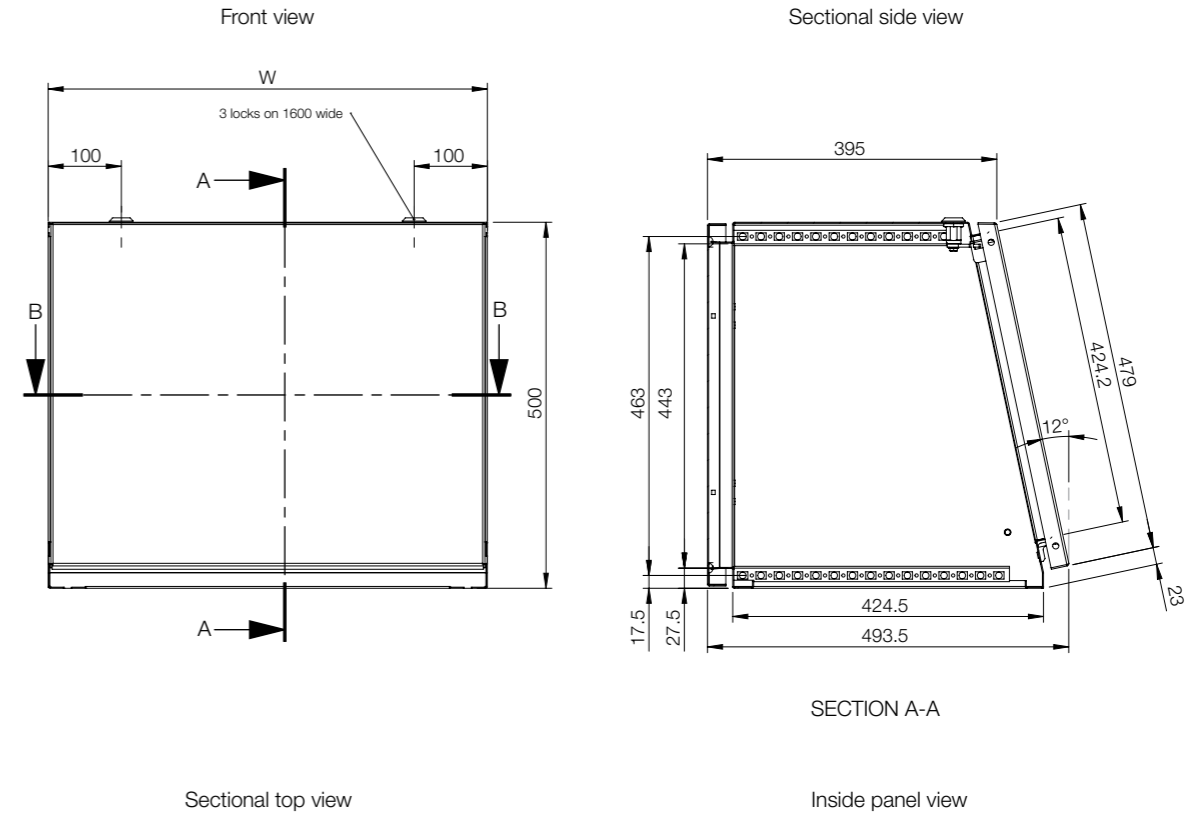
Enclosure dimensions				Item no.
H	W	D		
250	600	985		MPC062R5
250	800	985		MPC082R5
250	1000	985		MPC102R5
250	1200	985		MPC122R5
250	1600	985		MPC162R5

Base units with mounting plate | Mild steel

Enclosure dimensions			Mounting plate dimensions		Usable depth	Item no.
H	W	D	h	w	d	
700	600	500	590	499	470.5	MPC063R5
700	800	500	590	699	470.5	MPC083R5
700	1000	500	590	899	470.5	MPC103R5
700	1200	500	590	1099	470.5	MPC123R5
700	1600	500	590	1499	470.5	MPC163R5

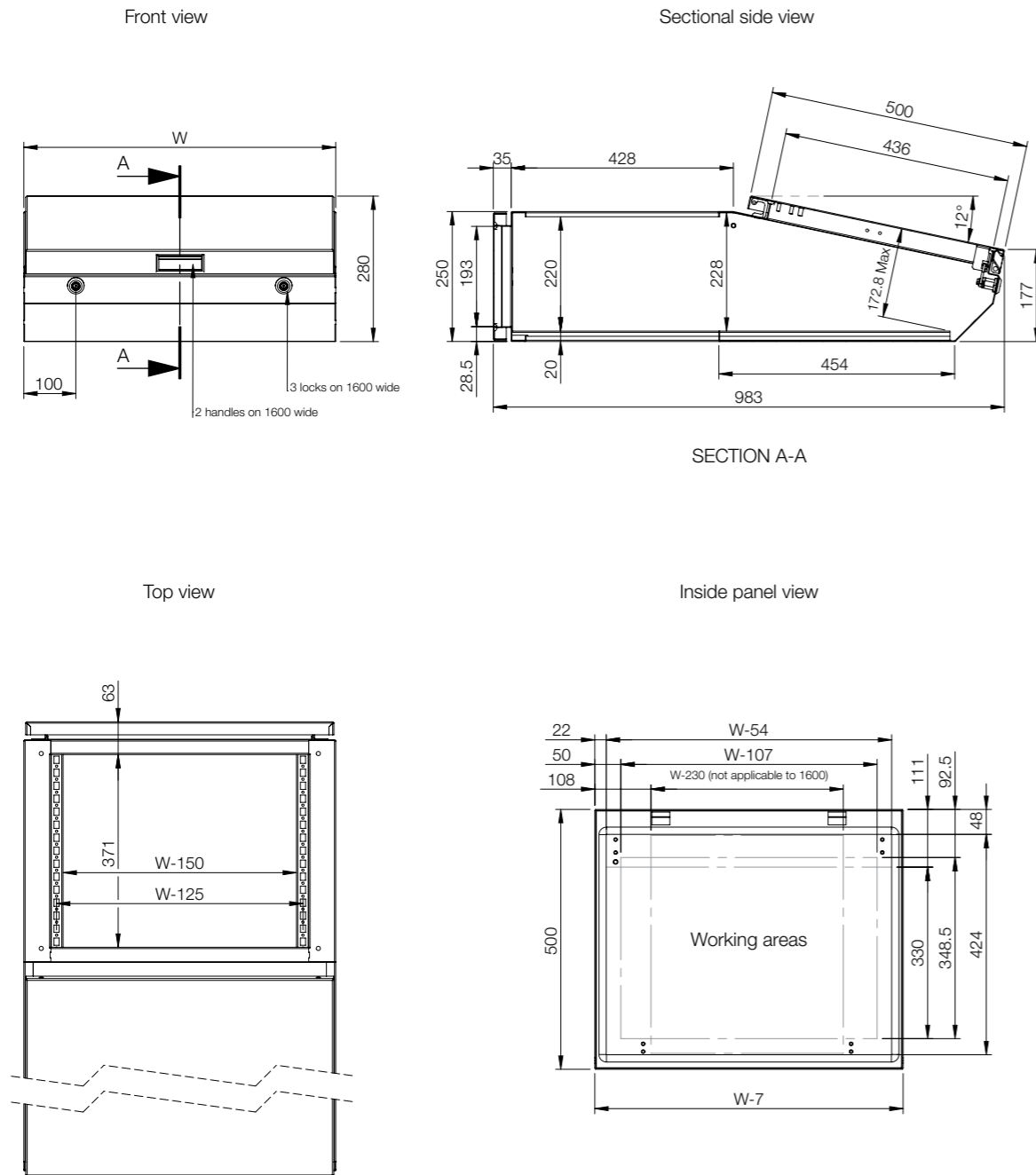
Note: Only 1200 mm and 1600 mm wide consoles have double door.

Top section units

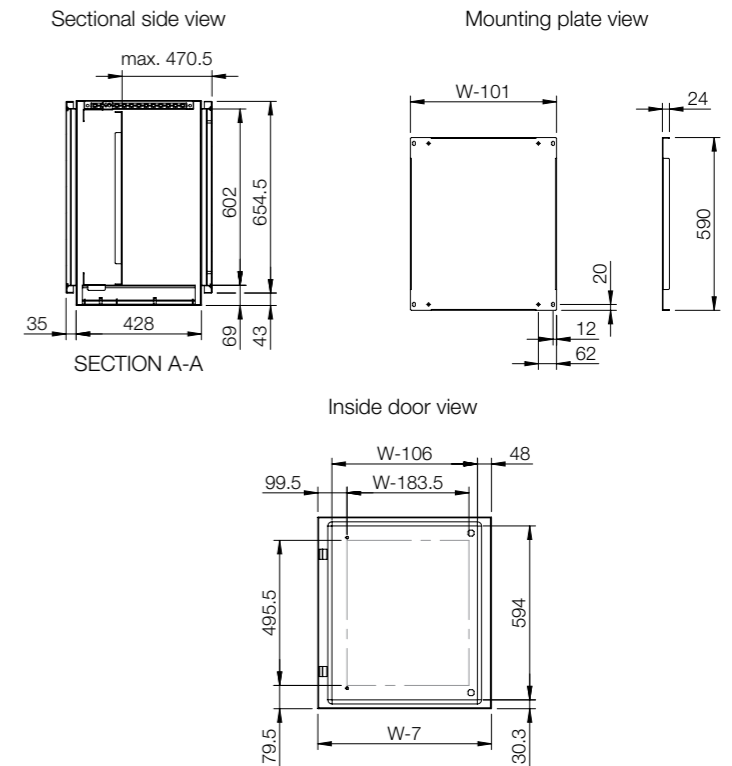
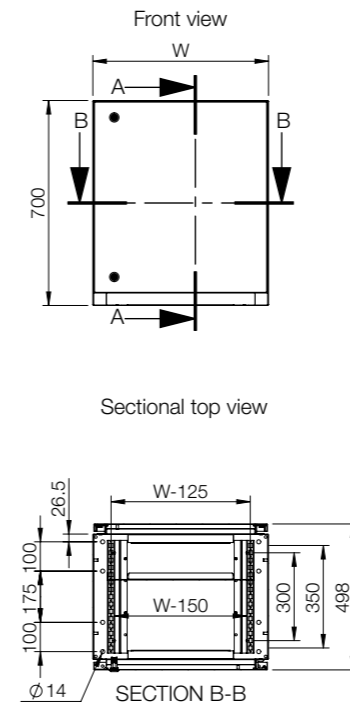


**Desk unit**

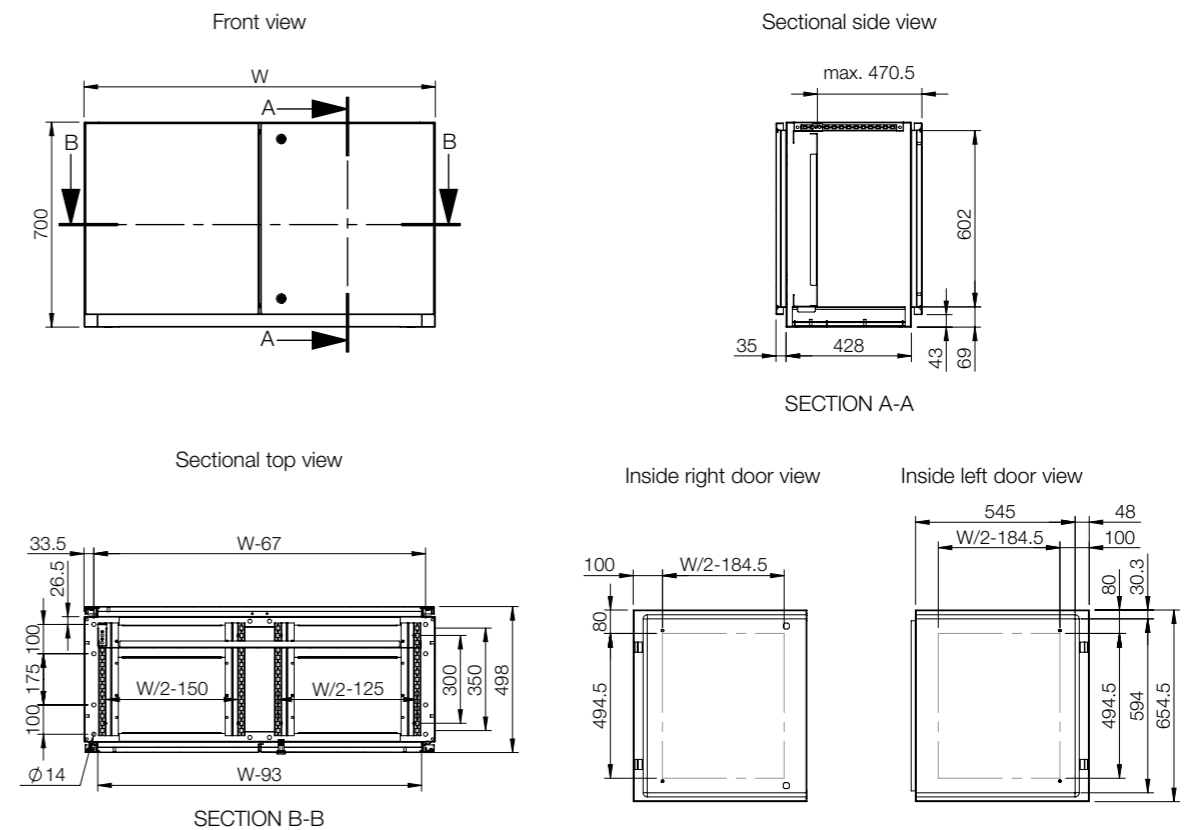
**Base unit with mounting plate**



**Single door**




**Double door**






## Accessories selection matrix | MPG




Console	Mounting				
	H	W	D	Mounting plate	Mounting plate depth adjustment kit
MPG06R5	985	600	400	GCPZ06	MPGDA01
MPG08R5	985	800	400	GCPZ08	MPGDA01
MPG10R5	985	1000	400	GCPZ10	MPGDA01
MPG12R5	985	1200	400	GCPZ12	MPGDA01
MPG16R5	985	1600	400	GCPZ16	MPGDA01



Console	Fixing						
	H	W	D	Front/rear plinths (100 mm height)	Side plinths (100 mm height)	Front/rear plinths (200 mm height)	Side plinths (200 mm height)
MPG06R5	985	600	400	PF1060	PST1040	PF2060	PST2040
MPG08R5	985	800	400	PF1080	PST1040	PF2080	PST2040
MPG10R5	985	1000	400	PF1100	PST1040	PF2100	PST2040
MPG12R5	985	1200	400	PF1120	PST1040	PF2120	PST2040
MPG16R5	985	1600	400	2x PF1080	PST1040	2x PF2080	PST2040

## Accessories selection matrix | MPC



Console	H	W	D	Mounting		Lids	
				Mounting plate	Segregation plate	Cover plate	Stainless steel panel
MPC061R5	500	600	494	CDPZ06	-	-	MPPS061
MPC081R5	500	800	494	CDPZ08	-	-	MPPS081
MPC101R5	500	1000	494	CDPZ10	-	-	MPPS101
MPC121R5	500	1200	494	CDPZ12	-	-	MPPS121
MPC161R5	500	1600	494	CDPZ16	-	-	MPPS161
MPC062R5	250	600	985	CDPZ06	SGPZ06	BDP06R5	MPLS062
MPC082R5	250	800	985	CDPZ08	SGPZ08	BDP08R5	MPLS082
MPC102R5	250	1000	985	CDPZ10	SGPZ10	BDP10R5	MPLS102
MPC122R5	250	1200	985	CDPZ12	SGPZ12	BDP12R5	MPLS122
MPC162R5	250	1600	985	CDPZ16	SGPZ16	BDP16R5	MPLS162
MPC063R5	700	600	500	CBPZ06	-	BDP06R5	-
MPC083R5	700	800	500	CBPZ08	-	BDP08R5	-
MPC103R5	700	1000	500	CBPZ10	-	BDP10R5	-
MPC123R5	700	1200	500	CBPZ12	-	BDP12R5	-
MPC163R5	700	1600	500	CBPZ16	-	BDP16R5	-



Console	H	W	D	Fixing			
				Front/rear plinths (100 mm height)	Plinth side panels (100 mm height)	Front/rear plinths (200 mm height)	Plinth side panels (200 mm height)
MPC061R5	500	600	494	-	-	-	-
MPC081R5	500	800	494	-	-	-	-
MPC101R5	500	1000	494	-	-	-	-
MPC121R5	500	1200	494	-	-	-	-
MPC161R5	500	1600	494	-	-	-	-
MPC062R5	250	600	985	-	-	-	-
MPC082R5	250	800	985	-	-	-	-
MPC102R5	250	1000	985	-	-	-	-
MPC122R5	250	1200	985	-	-	-	-
MPC162R5	250	1600	985	-	-	-	-
MPC063R5	700	600	500	PF1060	PST1050	PF2060	PST2050
MPC083R5	700	800	500	PF1080	PST1050	PF2080	PST2050
MPC103R5	700	1000	500	PF1100	PST1050	PF2100	PST2050
MPC123R5	700	1200	500	PF1120	PST1050	PF2120	PST2050
MPC163R5	700	1600	500	2x PF1080	PST1050	2x PF2080	PST2050

# Human Machine Interface Console Range | Stainless Steel Compact | MPGS

IP 66 | TYPE 4X, 12, 13 | IK 10 (single door); IP 55 | TYPE 12, 13 | IK 10 (double door)



**Material:**

AISI 304 pre-grained stainless steel / AISI 316L (on request). Body and door: 2 mm. Rear panel: 1.5 mm. Bottom plates: 1.5 mm. Mounting plate: 2.5 mm galvanized steel.

**Body:**

Folded and seam welded. Console construction includes a base that provides a distance between the floor and the lower part of the door/s, acting as an integrated plinth.

**Doors and panels:**

Single folded surface mounted with hinges, allowing left and right-hand opening to base door. Angle 12° from horizontal. Concealed hinges, on top edge, allow 90° opening. Panel held open by self engage/self release mechanical panel stay. Double door on 1200 wide base units.

**Mounting plate:**

Standard mounting plate in base unit.

**Lock:**

Double-bit 3 mm locks for top panel. For base, two double-bit 3 mm locks. Other options available. See wall mounting section.

**Cable inlet:**

Bottom opening for cable access. Bottom plate for cable glanding supplied as standard.

**Earthing:**

M8 threaded studs on body, door, top panel and rear panel.

**Finish:**

400 pre-grained stainless steel.

**Protection:**

Single door: IP 66 | TYPE 4X, 12, 13 | IK 10. Double door: IP 55 | TYPE 12, 13 | IK 10.

**Delivery:**

Mounting plate and suitable nuts and washers for earthing. The console is delivered on a wooden pallet.



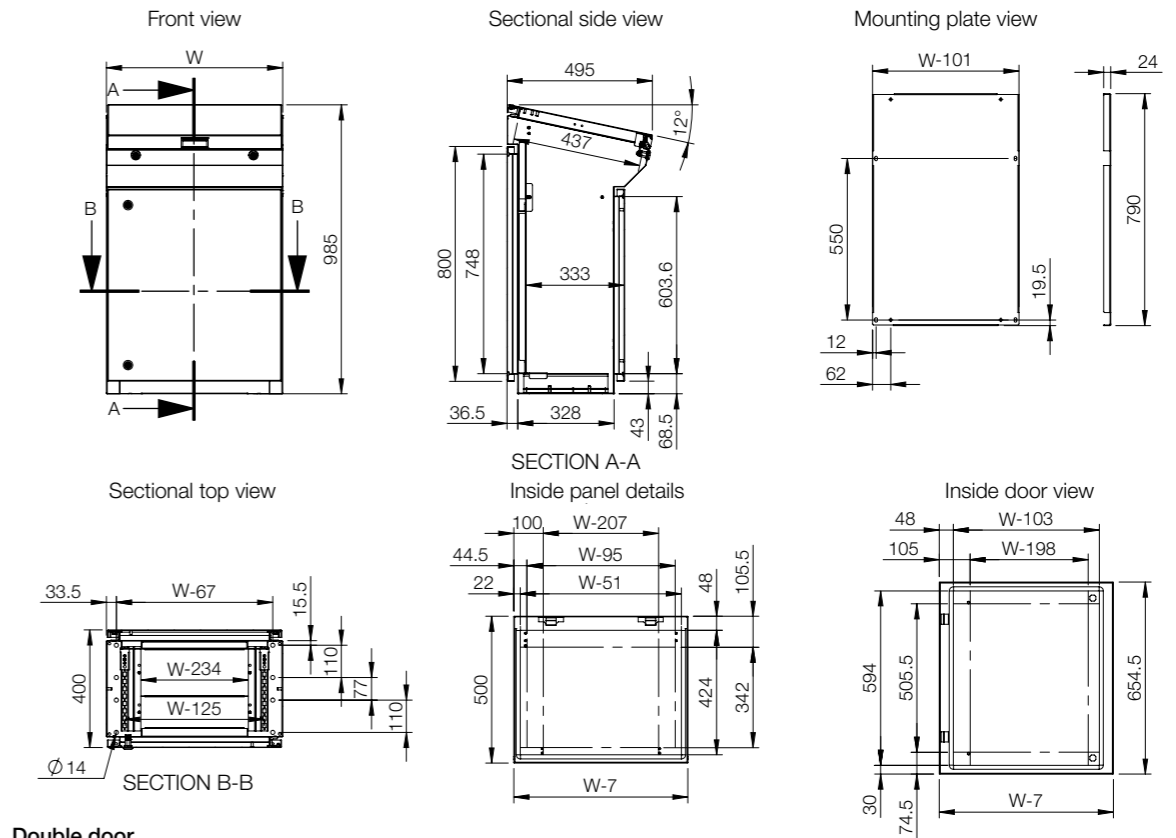
IP 66 | TYPE 4X, 12, 13 | IK 10 (single door); IP 55 | TYPE 12, 13 | IK 10 (double door)

Stainless steel

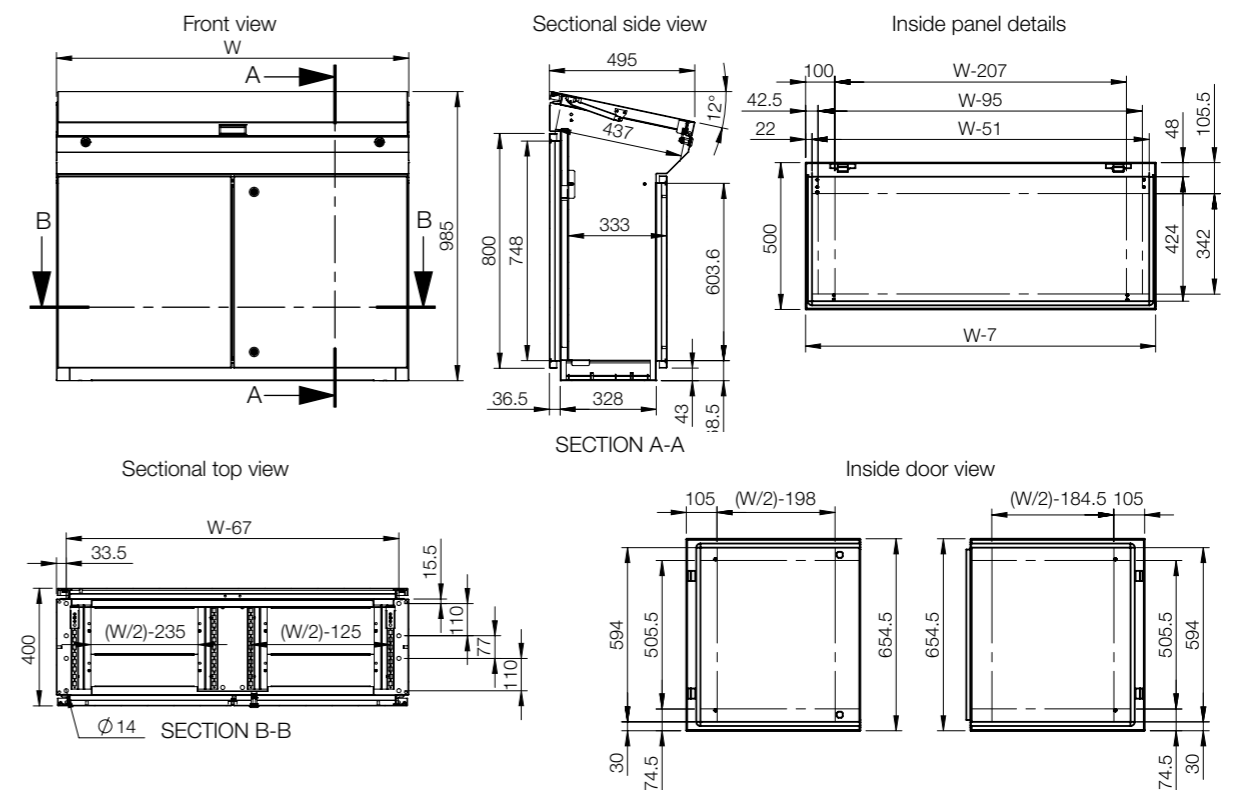
Enclosure dimensions			Mounting plate dimensions		Usable depth	Item no.
H	W	D	h	w	d	
985	600	400	790	499	357.5	MPGS06
985	600	400	790	499	357.5	MPGS06-316*
985	800	400	790	699	357.5	MPGS08
985	800	400	790	699	357.5	MPGS08-316*
985	1000	400	790	899	357.5	MPGS10
985	1000	400	790	899	357.5	MPGS10-316*
985	1200	400	790	1099	357.5	MPGS12
985	1200	400	790	1099	357.5	MPGS12-316*

Note: Only 1200 mm wide consoles have double door. \* On request.

Single door



Double door



# Human Machine Interface

## Console Range | Stainless Steel

### Modular | MPCS

IP 66 | TYPE 4X, 12, 13 | IK 10 (single door); IP 55 | TYPE 12, 13 | IK 10 (double door)



**Material:**

AISI 304 pre-grained stainless steel / AISI 316L (on request). Body and door: 2 mm. Rear panel: 1.5 mm. Bottom plates: 1.5 mm. Mounting plate: 2.5 mm galvanized steel.

**Body:**

Folded and seam welded. Console construction includes a base that provides a distance between the floor and the lower part of the door/s, acting as an integrated plinth.

**Doors and panels:**

Single folded surface mounted with hinges, allowing left and right-hand opening to base door. Top section and desk panels held open by self engage/self release mechanical panel stays. Concealed hinges allowing 90° opening on the desk. Double doors on 1200 mm and 1600 mm wide base units.

**Mounting plate:**

Standard in base unit. Fixed by fixing brackets on C rail, top and bottom for depth adjustment. Optional in desk and top section units.

**Lock:**

Double-bit 3 mm locks for top section and desk unit. For base, two double-bit 3 mm locks. Other options available. See wall mounting section.

**Cable access:**

Bottom opening in base unit for cable access. Bottom plates for cable glanding supplied as standard.

**Earthing:**

M8 threaded studs on bodies, doors and rear panels.

**Finish:**

400 pre-grained stainless steel.

**Protection:**

Single door: IP 66 | TYPE 4X, 12, 13 | IK 10. Double door: IP 55 | TYPE 12, 13 | IK 10.

**Delivery:**

The base unit is provided with a mounting plate as standard. Desk and top section units have mounting plates provided as accessories. All top and base apertures can be closed by choosing the appropriate accessory plate. Suitable nuts and washers for the various earthing studs are provided.



IP 66 | TYPE 4X, 12, 13 | IK 10 (single door); IP 55 | TYPE 12, 13 | IK 10 (double door)

Top section units | Stainless steel

Enclosure dimensions				Item no.
H	W	D		
500	600	494		MPCS061
500	600	494		MPCS061-316
500	800	494		MPCS081
500	800	494		MPCS081-316
500	1000	494		MPCS101
500	1000	494		MPCS101-316
500	1200	494		MPCS121
500	1200	494		MPCS121-316
500	1600	494		MPCS161
500	1600	494		MPCS161-316

Desk units | Stainless steel

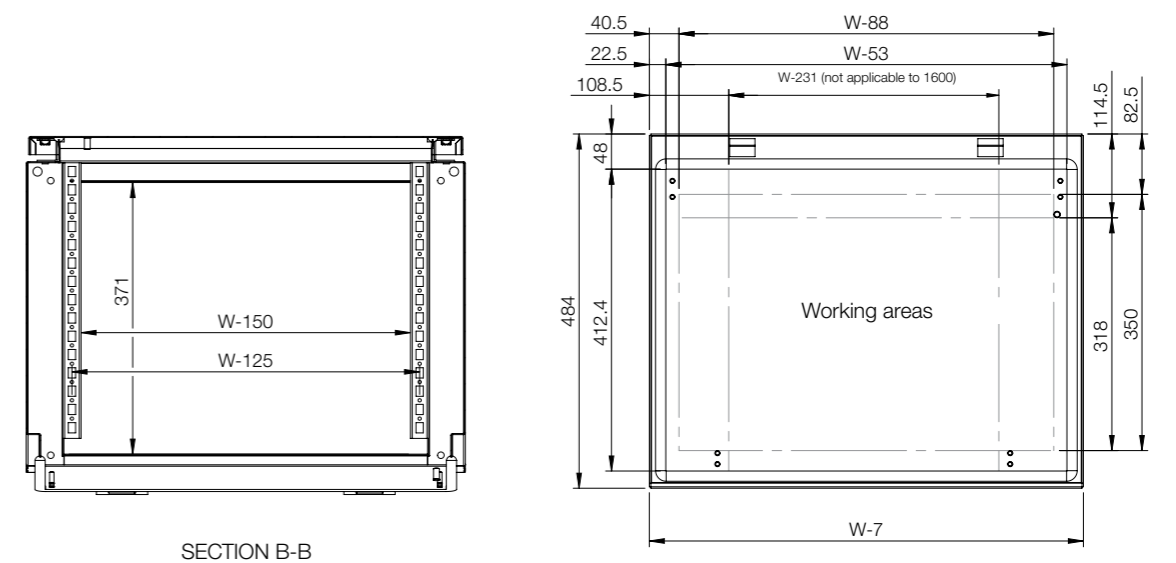
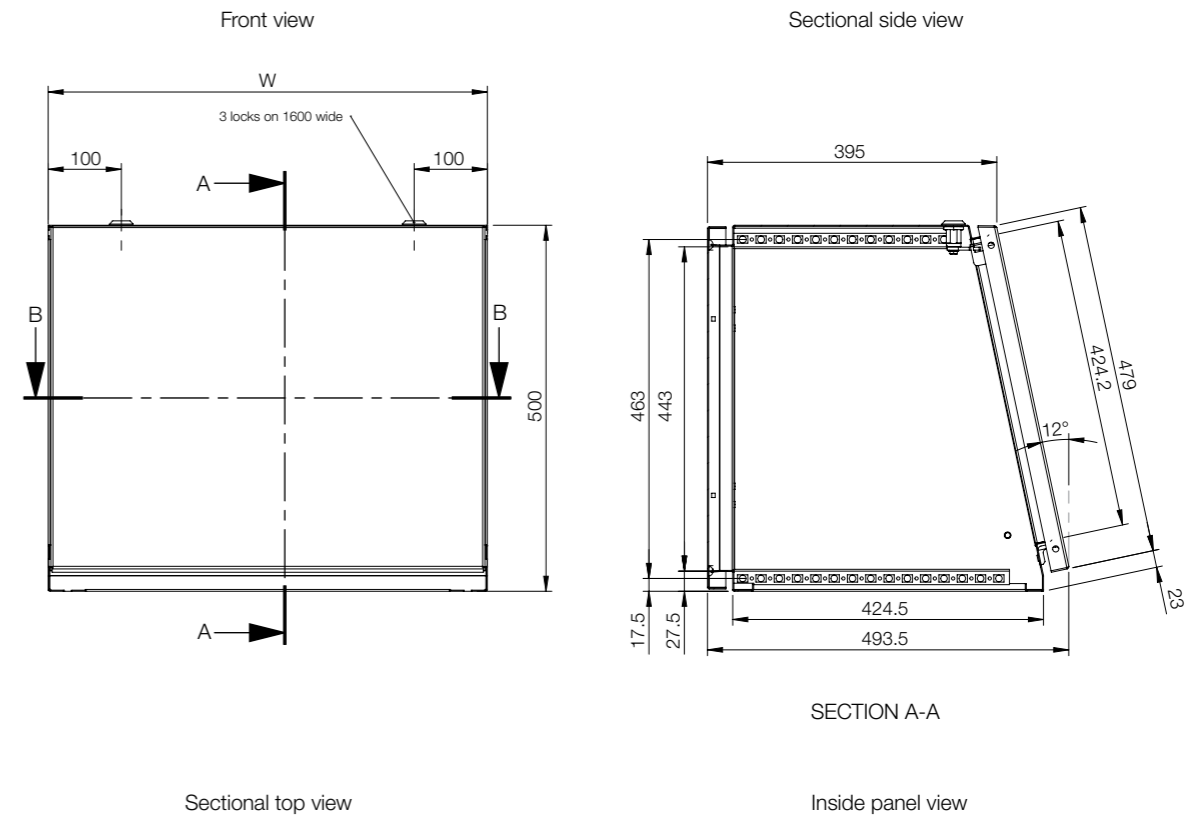
Enclosure dimensions				Item no.
H	W	D		
250	600	985		MPCS062
250	600	985		MPCS062-316
250	800	985		MPCS082
250	800	985		MPCS082-316
250	1000	985		MPCS102
250	1000	985		MPCS102-316
250	1200	985		MPCS122
250	1200	985		MPCS122-316
250	1600	985		MPCS162
250	1600	985		MPCS162-316

Base units with mounting plate | Stainless steel

Enclosure dimensions			Mounting plate dimensions		Usable depth	Item no.
H	W	D	h	w	d	
700	600	500	590	499	470.5	MPCS063
700	600	500	590	499	470.5	MPCS063-316
700	800	500	590	699	470.5	MPCS083
700	800	500	590	699	470.5	MPCS083-316
700	1000	500	590	899	470.5	MPCS103
700	1000	500	590	899	470.5	MPCS103-316
700	1200	500	590	1099	470.5	MPCS123
700	1200	500	590	1099	470.5	MPCS123-316
700	1600	500	590	1499	470.5	MPCS163
700	1600	500	590	1499	470.5	MPCS163-316

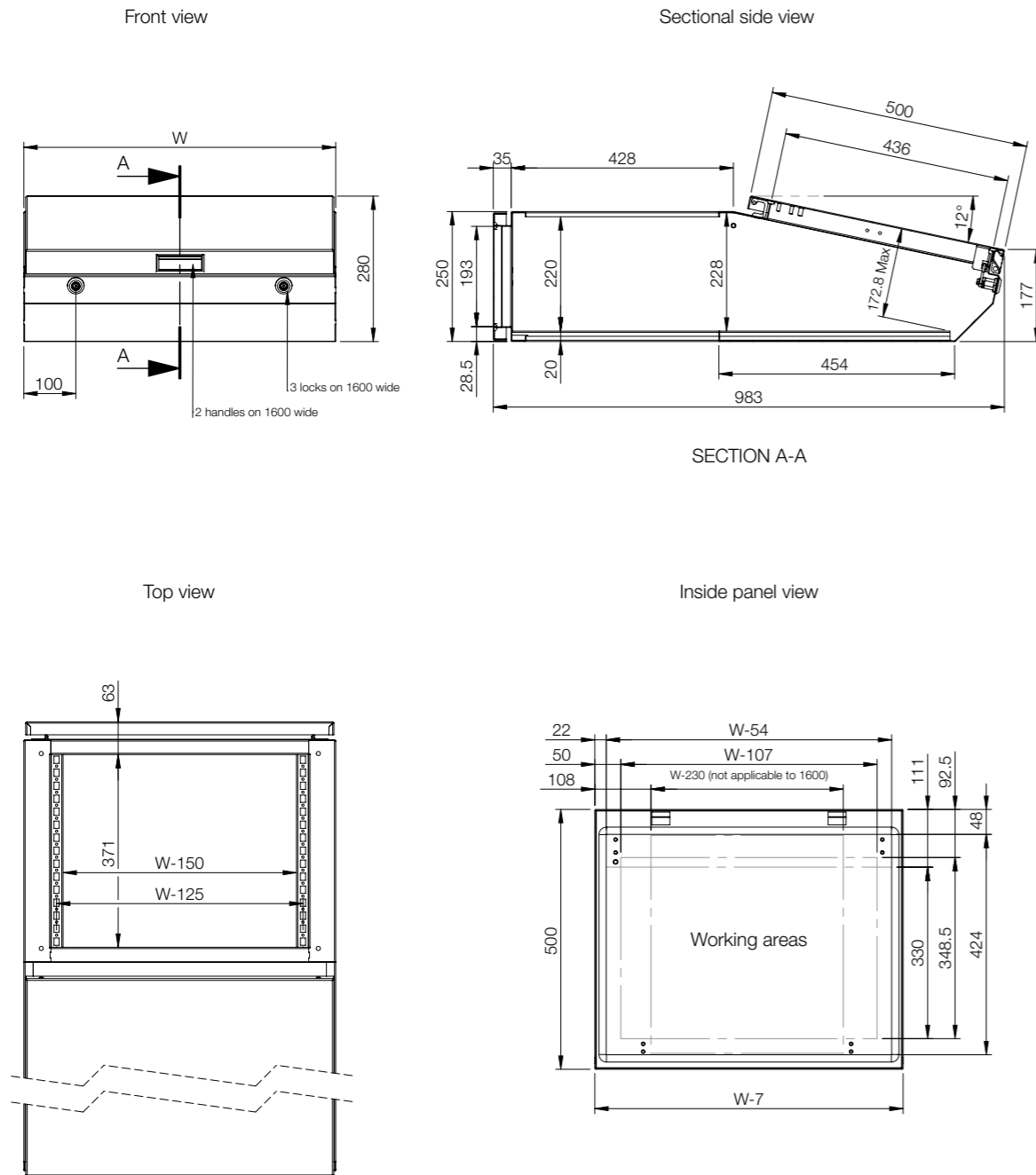
Note: Only 1200 mm and 1600 mm wide consoles have double door. \* On request.

Top section units

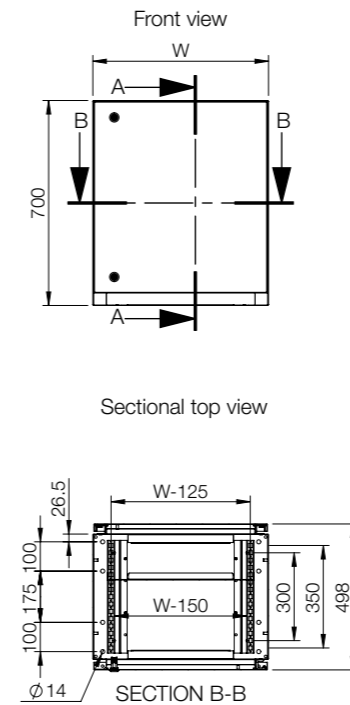


**Desk unit**

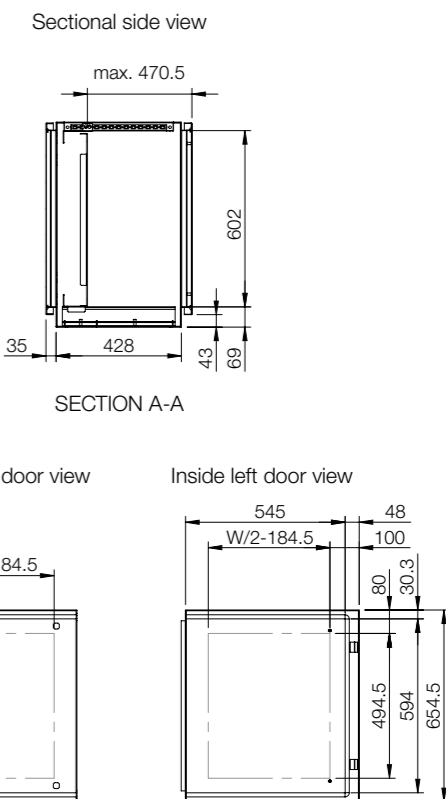
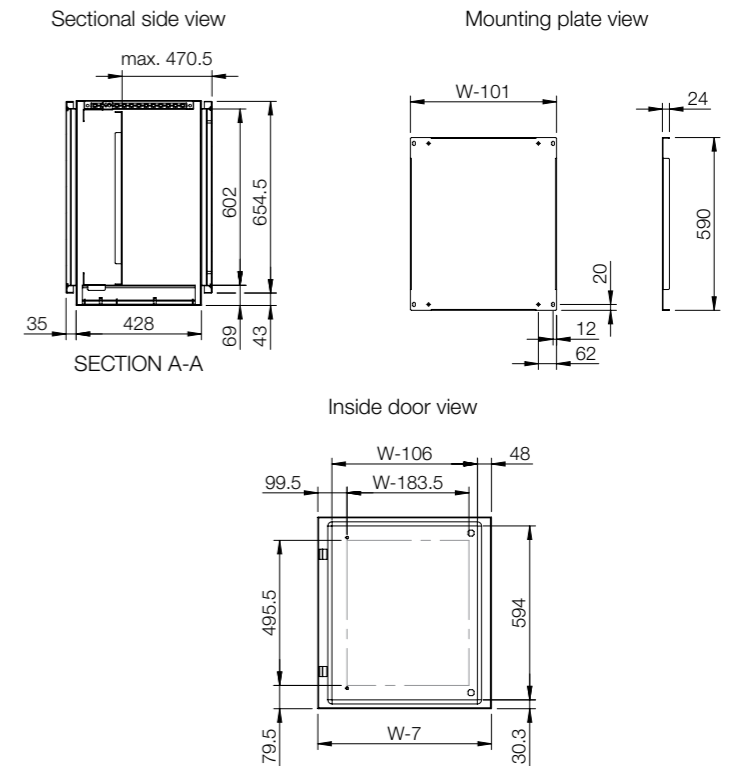
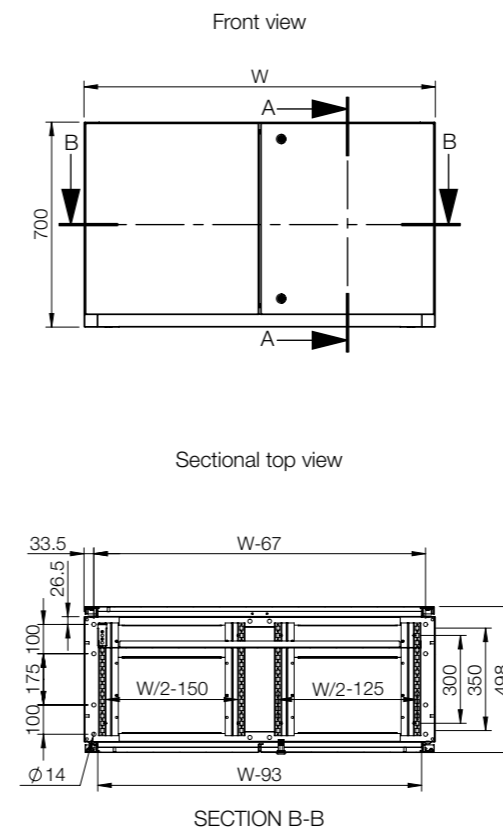
**Base unit with mounting plate**



**Single door**



**Double door**



## Accessories selection matrix | MPGS

Console	Mounting			Fixing			
	H	W	D	Mounting plate	Depth adjustment kit	Plinth (100 mm height)	Plinth (200 mm height)
MPGS06	985	600	400	GCPZ06	MPGDA01	MSNS1064	MSNS2064
MPGS06-316	985	600	400	GCPZ06	MPGDA01	MSNS1064	MSNS2064
MPGS08	985	800	400	GCPZ08	MPGDA01	MSNS1084	MSNS2084
MPGS08-316	985	800	400	GCPZ08	MPGDA01	MSNS1084	MSNS2084
MPGS10	985	1000	400	GCPZ10	MPGDA01	MSNS1104	MSNS2104
MPGS10-316	985	1000	400	GCPZ10	MPGDA01	MSNS1104	MSNS2104
MPGS12	985	1200	400	GCPZ12	MPGDA01	MSNS1124	MSNS2124
MPGS12-316	985	1200	400	GCPZ12	MPGDA01	MSNS1124	MSNS2124

## Accessories selection matrix | MPCS

Console	Mounting			Fixing		Lids		
	H	W	D	Mounting plate	Segregation plate	Plinth (100 mm height)	Plinth (200 mm height)	Cover plate
MPCS061	500	600	494	CDPZ06	-	-	-	-
MPCS061-316	500	600	494	CDPZ06	-	-	-	-
MPCS081	500	800	494	CDPZ08	-	-	-	-
MPCS081-316	500	800	494	CDPZ08	-	-	-	-
MPCS101	500	1000	494	CDPZ10	-	-	-	-
MPCS101-316	500	1000	494	CDPZ10	-	-	-	-
MPCS121	500	1200	494	CDPZ12	-	-	-	-
MPCS121-316	500	1200	494	CDPZ12	-	-	-	-
MPCS161	500	1600	494	CDPZ16	-	-	-	-
MPCS161-316	500	1600	494	CDPZ16	-	-	-	-
MPCS062	250	600	985	CDPZ06	SGPZ06	-	-	BDPS06
MPCS062-316	250	600	985	CDPZ06	SGPZ06	-	-	BDPS06
MPCS082	250	800	985	CDPZ08	SGPZ08	-	-	BDPS08
MPCS082-316	250	800	985	CDPZ08	SGPZ08	-	-	BDPS08
MPCS102	250	1000	985	CDPZ10	SGPZ10	-	-	BDPS10
MPCS102-316	250	1000	985	CDPZ10	SGPZ10	-	-	BDPS10
MPCS122	250	1200	985	CDPZ12	SGPZ12	-	-	BDPS12
MPCS122-316	250	1200	985	CDPZ12	SGPZ12	-	-	BDPS12
MPCS162	250	1600	985	CDPZ16	SGPZ16	-	-	BDPS16
MPCS162-316	250	1600	985	CDPZ16	SGPZ16	-	-	BDPS16
MPCS063	700	600	500	CBPZ06	-	MSNS1065	MSNS2065	BDPS06
MPCS063-316	700	600	500	CBPZ06	-	MSNS1065	MSNS2065	BDPS06
MPCS083	700	800	500	CBPZ08	-	MSNS1085	MSNS2085	BDPS08
MPCS083-316	700	800	500	CBPZ08	-	MSNS1085	MSNS2085	BDPS08
MPCS103	700	1000	500	CBPZ10	-	MSNS1105	MSNS2105	BDPS10
MPCS103-316	700	1000	500	CBPZ10	-	MSNS1105	MSNS2105	BDPS10
MPCS123	700	1200	500	CBPZ12	-	MSNS1125	MSNS2125	BDPS12
MPCS123-316	700	1200	500	CBPZ12	-	MSNS1125	MSNS2125	BDPS12
MPCS163	700	1600	500	CBPZ16	-	2x MSNS1085	2x MSNS2085	BDPS16
MPCS163-316	700	1600	500	CBPZ16	-	2x MSNS1085	2x MSNS2085	BDPS16

# Human Machine Interface Consoles Range

## Accessories

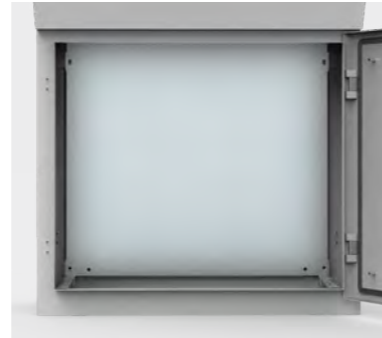
### Mounting plate, GCPZ

**Description:** Standard mounting plate for MPG(S) console. Adjustable in depth using MPGDA accessory.

**Material:** 2.5 mm galvanized steel.

**Pack quantity:** 1 plate with mounting accessories.

For console		Mounting plate dimensions		Item no.
W	h	w		
600	790	499		GCPZ06
800	790	699		GCPZ08
1000	790	899		GCPZ10
1200	790	1099		GCPZ12
1600	790	1499		GCPZ16



### Mounting plates, CDPZ

**Description:** Can be used in top section and desk unit, also as a separation plate between desk and base.

**Material:** 2.5 mm galvanized steel.

**Pack quantity:** 1 plate with mounting accessories.

For console		Mounting plate dimensions		Item no.
W	h	w		
600	427.5	530		CDPZ06
800	427.5	730		CDPZ08
1000	427.5	930		CDPZ10
1200	427.5	1130		CDPZ12
1600	427.5	1530		CDPZ16



### Depth adjust kit, MPGDA

**Description:** To provide depth adjustment for mounting plate.

**Material:** 2 mm galvanized steel.

**Pack quantity:** 1 set with mounting accessories.

Item no.
MPGDA01



### Segregation plates, SGPZ

**Description:** Used to separate top section and desk unit. Can also be used as a mounting plate in desk.

**Material:** 3 mm zinc plated steel.

**Pack quantity:** 1 plate with mounting accessories.

For console		Mounting plate dimensions		Item no.
W	h	w		
600	410	530		SGPZ06
800	410	730		SGPZ08
1000	410	930		SGPZ10
1200	410	1130		SGPZ12
1600	410	1530		SGPZ16



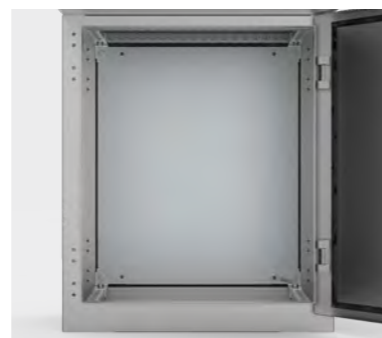
### Mounting plate, CBPZ

**Description:** Standard mounting plate for MPC(S) base section.

**Material:** 2 mm galvanized steel.

**Pack quantity:** 1 plate with mounting accessories.

For console		Mounting plate dimensions		Item no.
W	h	w		
600	590	499		CBPZ06
800	590	699		CBPZ08
1000	590	899		CBPZ10
1200	590	1099		CBPZ12
1600	590	1499		CBPZ16



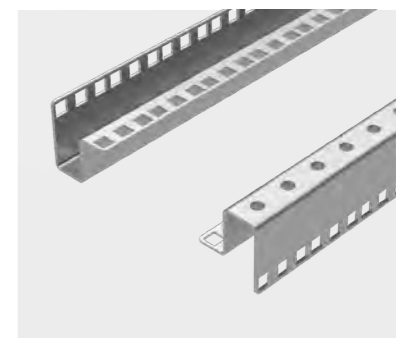
### Mounting angles (19"), DNN

**Description:** To achieve 19° or partial 19° in 800 mm wide enclosures, these profiles can be mounted with the mounting brackets DNB. To achieve 19° in 600 mm wide enclosures, use the brackets DND.

**Material:** 2 mm zinc plated steel.

**Pack quantity:** 2 pieces.

N° of units	Item no.
6	DNN06
9	DNN09
10	DNN10
11	DNN11
13	DNN13
15	DNN15





# Human Machine Interface Consoles Range Accessories

## Mounting angles (19") fixing brackets, DND

**Description:** For fixing 19" profiles in 600 mm, wide enclosures. Adjustable in depth in 12.5 mm steps.  
**Material:** 3 mm zinc plated mild steel.  
**Pack quantity:** 4 brackets with mounting accessories.



Item no.
DND01

## Mounting angles (19") brackets, DNB

**Description:** For mounting 19" profiles in 800 mm wide enclosures.  
**Material:** 3 mm zinc plated steel.  
**Pack quantity:** 4 brackets with mounting accessories.



Item no.
DNB01

## Front/rear Plinths, PF-HMI

**Description:** Front and rear plinth sections. For cabling without any restrictions and in accordance with the VDE 0113 standard. The plinth consists of four corner pieces with removable front covers. The side panels PST are to be ordered separately. Produced in 100 mm and 200 mm heights. 200 mm high plinths are delivered with a rear cover for cabling that consists of two removable panels 100 mm high. The front cover is a one piece panel of 200 mm high. All panels have double returns on each side for added strength.  
**Material:** Corner pieces in 2 mm and panels in 1.5 mm mild steel.  
**Finish:** RAL 7022 structured powder coating.  
**Pack quantity:** 1 set of 4 corner pieces including covers. Front and rear panel (2 rear panels for 200 mm high plinths) with mounting accessories. Mounting accessories for side panels PST.



**Mounting requirements:** Add the side panels PST for a complete plinth.

Plinth		For console		Item no.
H	W	W	D	
100		400		PF1040
100		500		PF1050
100		600		PF1060
100		800		PF1080
100		1000		PF1100
100		1200		PF1120
200		400		PF2040
200		500		PF2050
200		600		PF2060
200		800		PF2080
200		1000		PF2100
200		1200		PF2120

For console 1600 mm wide use 2 x 800 mm wide plinth.

## Plinth Side panels, PST

**Description:** Mounted directly to the corner pieces.  
**Material:** 1.5 mm mild steel.  
**Finish:** RAL 7022 structured powder coating.  
**Pack quantity:** 2 side panels, mounting accessories included in PF package.



Plinth		For console		Item no.
H	W	W	D	
100		400		PST1040
100		500		PST1050
200		400		PST2040
200		500		PST2050

## Plinths, MSNS

**Description:** Allowing cabling without any restrictions and in accordance with the VDE 0113 standard. The plinth consists of four corner pieces with removable plates. Available 100 mm and 200 mm high.  
**Material:** Corner pieces 3 mm and panels 1.5 mm AISI 304 pre-grained stainless steel.  
**Finish:** 400 pre-grained stainless steel.  
**Pack quantity:** 1 plinth with mounting material.



Plinth		For console		Item no.
H	W	W	D	
100		600	400	MSNS1064
100		600	500	MSNS1065
100		800	400	MSNS1084
100		800	500	MSNS1085
100		1000	400	MSNS1104
100		1000	500	MSNS1105
100		1200	400	MSNS1124
100		1200	500	MSNS1125
200		600	400	MSNS2064
200		600	500	MSNS2065
200		800	400	MSNS2084
200		800	500	MSNS2085
200		1000	400	MSNS2104
200		1000	500	MSNS2105
200		1200	400	MSNS2124
200		1200	500	MSNS2125

For consoles 1600 mm wide use 2 x 800 mm wide plinth.

## Human Machine Interface Consoles Range

### Accessories

#### Cover plates, BDP

**Description:** Used to cover top opening of base or desk unit in MPC consoles.  
**Material:** 2 mm mild steel.  
**Finish:** RAL 7035 structured powder paint.  
**Pack quantity:** 1 piece with mounting accessories.



For console	
W	Item no.
600	BDP06R5
800	BDP08R5
1000	BDP10R5
1200	BDP12R5
1600	BDP16R5

#### Cover plates, BDPS

**Description:** Used to cover top opening of base or desk unit in MPCS consoles.  
**Material:** 2 mm AISI 304 pre-grained stainless steel.  
**Finish:** 400 pre-grained stainless steel.  
**Pack quantity:** 1 piece with mounting accessories.



For console	
W	Item no.
600	BDPS06
800	BDPS08
1000	BDPS10
1200	BDPS12
1600	BDPS16

#### Stainless panel, MPPS

**Description:** For replacing the standard panel on MPC top section units where high corrosion resistance is required.  
**Material:** 2 mm AISI 304 pre-grained stainless steel.  
**Finish:** 400 pre-grained stainless steel.



For console	
W	Item no.
600	MPPS061
800	MPPS081
1000	MPPS101
1200	MPPS121
1600	MPPS161

#### Stainless lid, MPLS

**Description:** For replacing the standard lid on MPC desk units or MPG consoles where high corrosion resistance is required.  
**Material:** 2 mm AISI 304 pre-grained stainless steel.  
**Finish:** 400 pre-grained stainless steel.



For console	
W	Item no.
600	MPLS062
800	MPLS082
1000	MPLS102
1200	MPLS122
1600	MPLS162

#### Gas spring, MPGR

**Description:** Gas spring that can replace the standard hinge for the desk. May be used with all standard consoles.  
**Pack quantity:** 2 gas springs with mounting accessories.



Description	Item no.
Gas spring 150 Newton	MPGR150
Gas spring 250 Newton	MPGR250



# Human Machine Interface Swing Arm System | Mild Steel Control enclosure | OICE

IP 55 | IK 10



**Material:**

Body and door are manufactured from 1.2 mm mild steel, front cover and handles manufactured from aluminium.

**Body:**

Folded and seam welded, with maximum opening. The front fitted with an aluminium front panel. Handling grips mounted to front, left and right edges.

**Rear door:**

Surface mounted, with 130° opening. Concealed removable hinges, with captive pin. Hinges can be mounted to allow left or right hand opening. Door profiles MMDP are available as an accessory.

**Lock:**

Customised lock, with double grip for easy opening of the door. Double-bit 3 mm insert and 90° movement. Other inserts and locks are available as an accessory.

**Protection:**

IP 55 | IK 10.

**Finish:**

RAL 7035 structured powder coating. Top bottom profile RAL7016.

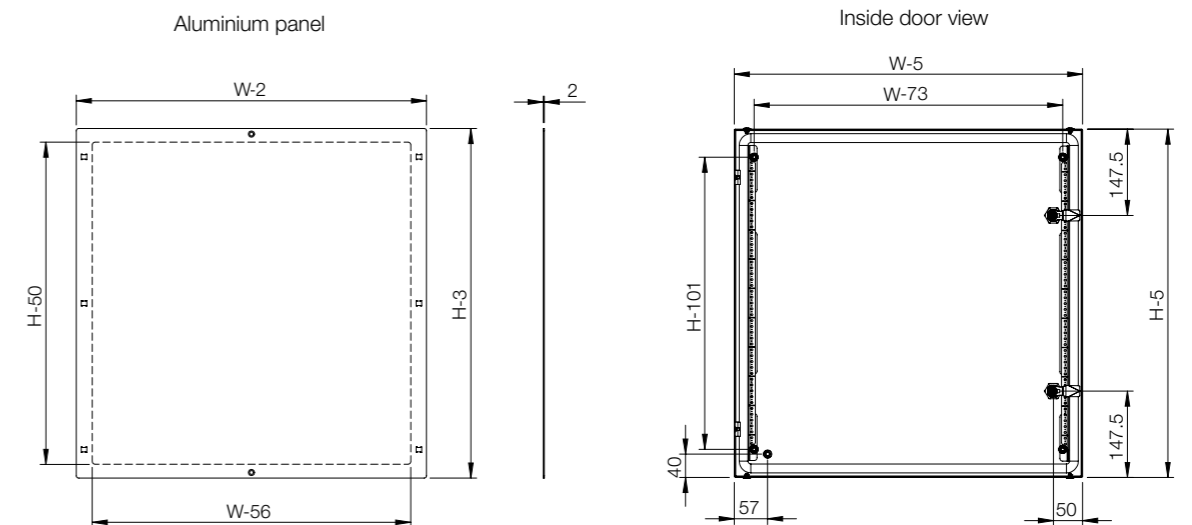
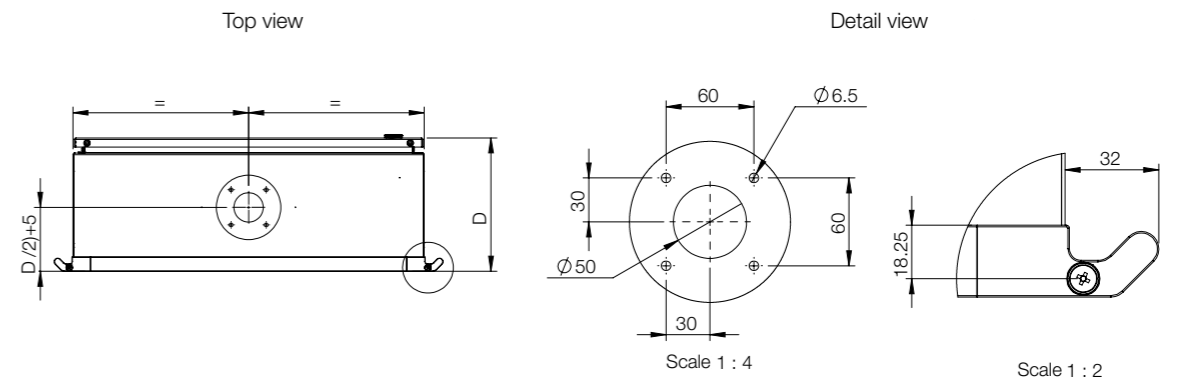
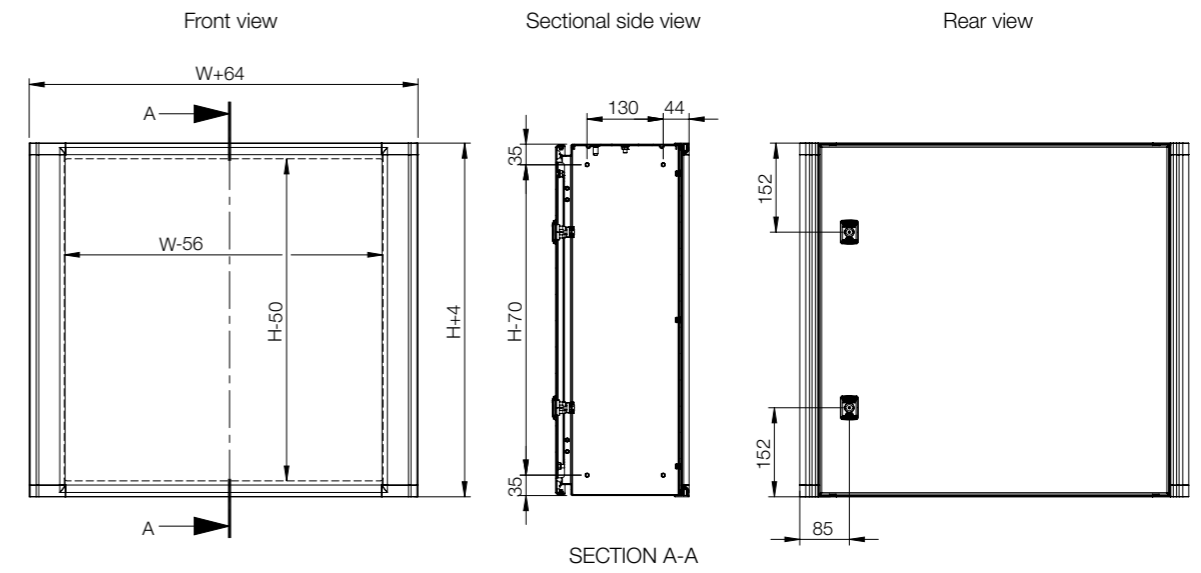
**Delivery:**

Enclosure with aluminium front panel, rear door, plastic double-bit 3 mm key and mounting accessories.



IP 55 | IK 10

Enclosure dimensions			
H	W	D	Item no.
300	300	155	OICE303015
300	400	210	OICE304021
400	400	210	OICE404021
400	600	210	OICE406021
500	500	210	OICE505021
500	600	210	OICE506021
600	600	210	OICE606021



## Human Machine Interface Operating Housing Accessories

### Mounting plate, BMP-HMI

**Description:** Steel mounting plate for terminal boxes.  
**Material:** 2 mm galvanized steel.  
**Pack quantity:** 1 piece.

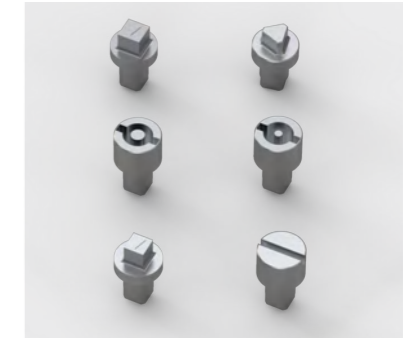
Box dimension		Mounting plate dimensions		Item no.
H	W	h	w	
200	300	175	270	BMP2030
200	400	175	370	BMP2040
200	500	175	470	BMP2050
200	600	180	570	BMP2060



### Inserts, ALIS

**Description:** Inserts to replace the standard double-bit 3 mm insert in the standard ALLS503 lock.  
**Material:** Zamak chrome plated.  
**Pack quantity:** 1 piece.

Description	Item no.
Double-bit 3 mm	ALIS503
Double-bit 5 mm	ALIS505
Square 7 mm	ALIS523
Triangular 8 mm	ALIS524
Square 8 mm	ALIS525
Slotted 2x4 mm	ALIS528

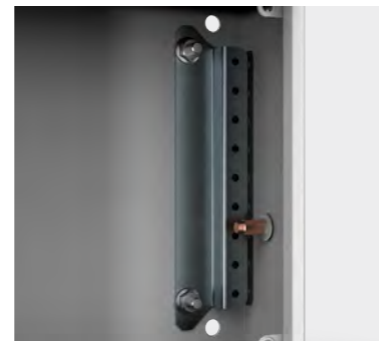


Not suitable for AFS.

### Bottom profile, BPP-HMI

**Description:** Bottom profile for DIN rail mounting.  
**Material:** Galvanized steel.  
**Pack quantity:** 2 pieces.

For box		Item no.
H/W		
150		BPP15
200		BPP20



### Door mounting profiles, MMDP-HMI

**Description:** To strengthen the door and provide further mounting possibilities. Mounted on the inside of the door onto M6 welded studs. Equipped with a 10 mm hole pattern. These door profiles cannot be used with the AFS enclosure range.  
**Material:** 1.2 mm galvanized steel.  
**Dimension:** 15 x 14 mm.  
**Pack quantity:** 1 pair with mounting accessories.

For enclosure		Item no.
H		
400		MMDP040
500		MMDP050



### Locks, ALL-HMI

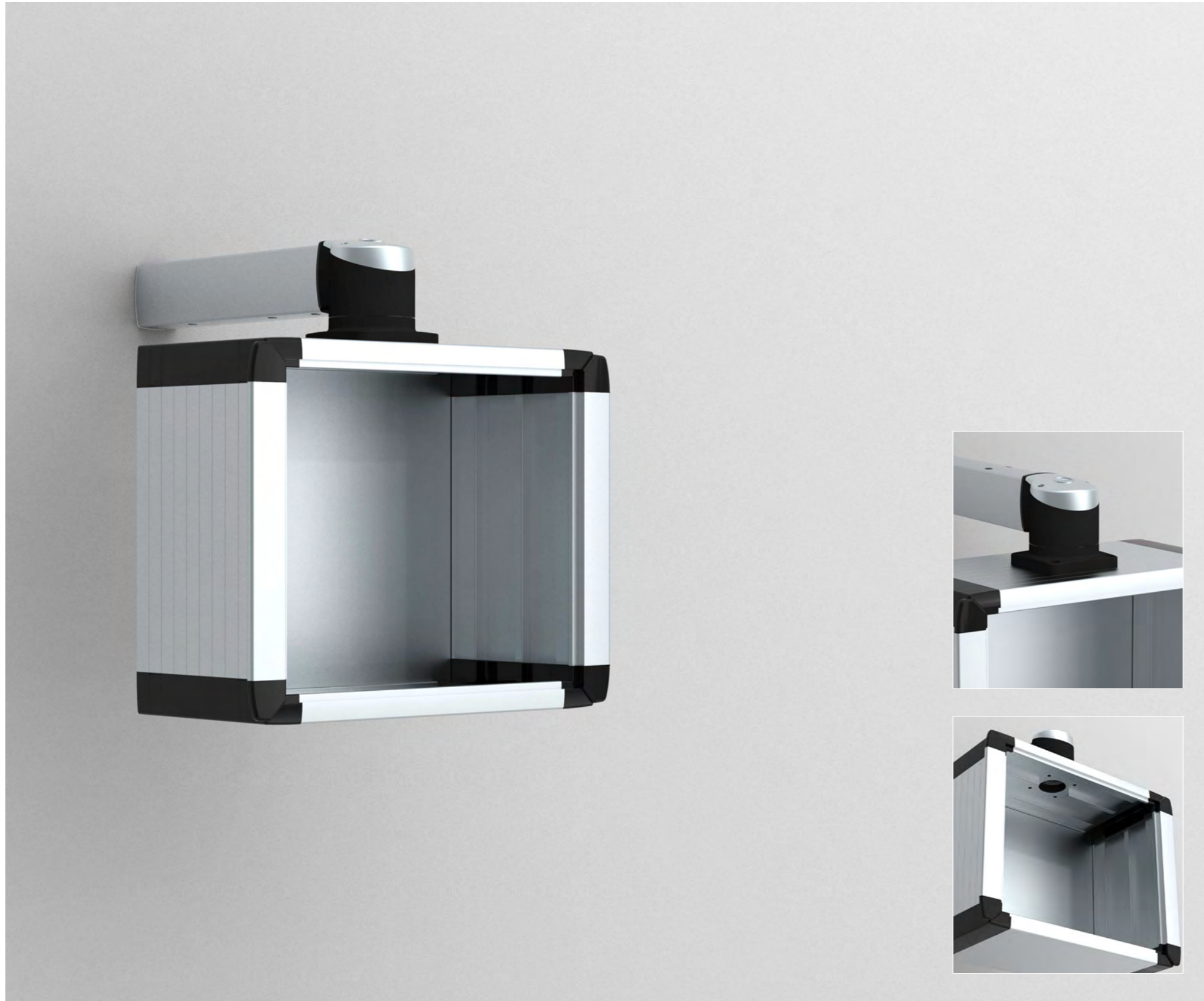
**Description:** Alternative locks to replace the standard one.  
**Pack quantity:** 1 piece.

Description	Type	Protection	Item no.
Chrome plated lock with cylinder	Ronis key n° M21323	IP 65	ALL508
Polyamide lock with cylinder	Key 5333	IP 55	ALL509
Lock with cylinder	Ronis key n° C21323	IP 65	ALL510N



# Human Machine Interface Swing Arm System | Aluminium Control Panel | OICP

IP 65



**Material:**

Body: Al Mg Si05. Rear plate: Al Mg. Corners: AISI 12.

**Protection:**

IP 65.

**Finish:**

Body and rear plate: anodised aluminium. Corners: RAL 7016.

**Mounting requirements:**

OIFP front panel is not included in the standard delivery and needs to be ordered separately.

**Delivery:**

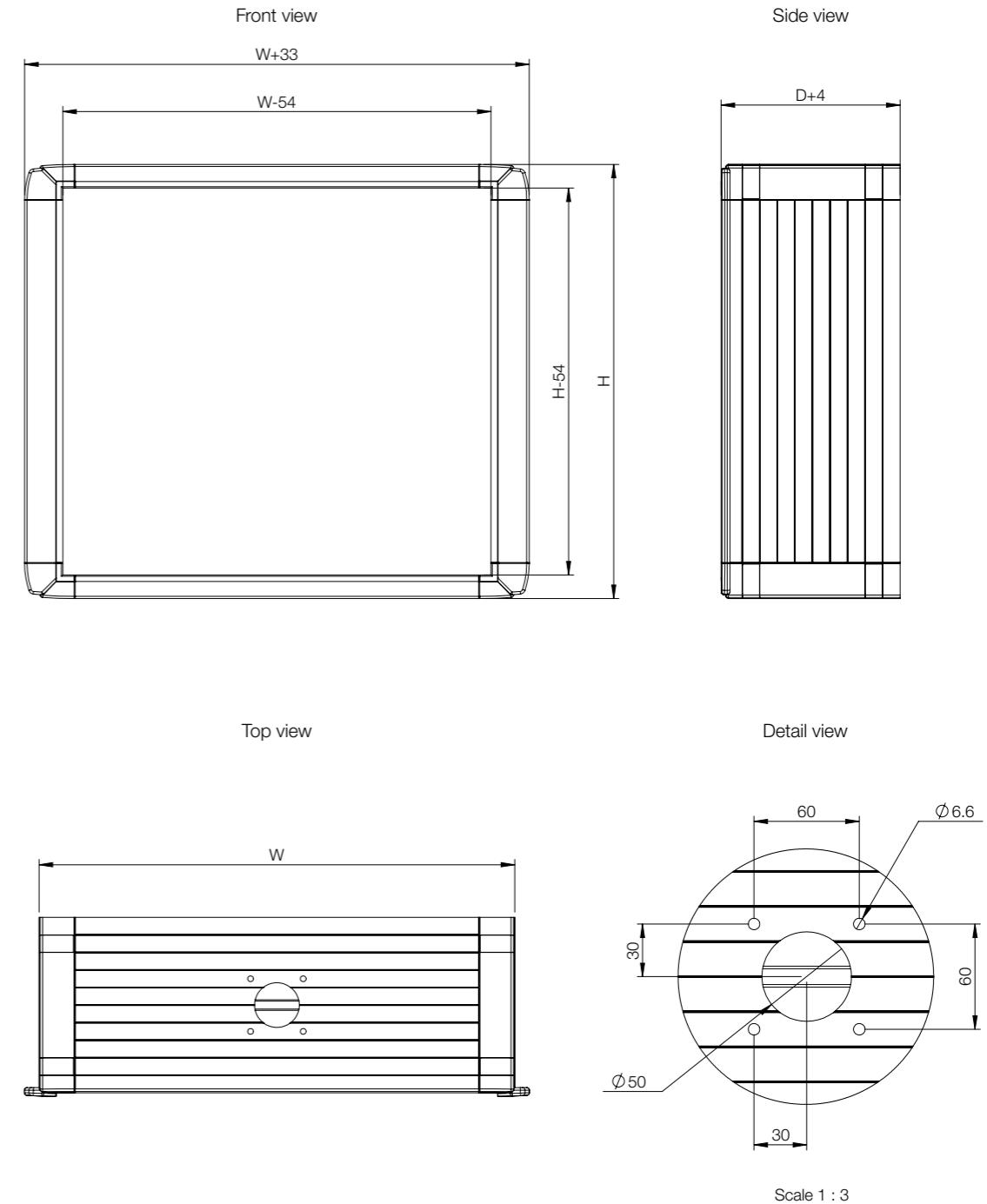
Body, screwed rear plate, front plate mounting kit, and mounting accessories.



IP 65

H	W	D	Weight (kg)	Item no.
309	525	200	7.90	OICP305220
345	395	200	7.00	OICP343920
354	525	200	8.30	OICP355220
398	525	200	9.00	OICP395220
415	470	200	8.50	OICP414720
495	542	200	10.25	OICP495420

The external enclosure dimension is increased by 16.5 mm, on the side where there is a grip profile.



# Human Machine Interface

## Operating Housing

### Accessories

## OICP panel with door extension section, OIDES

- Description:** OICP panel with hinged door extension profile. It increases the OICP panel depth in 55 mm. It has grid profiles in the door extension profile sides.
- Material:** Body and door extension profile: Al Mg Si05. Rear plate: Al Mg. Corners: Al Si12.
- Protection:** Complies with IP 65.
- Finish:** Body, door extension profile and rear plate: anodised aluminium. Corners: RAL 7016.
- Pack quantity:** OICP panel with rear plate, door extension profile, external hinges, and locking system.



For enclosure			
H	W	D	Item no.
309	525	55+200	OIDES305205
345	395	55+200	OIDES343905
354	525	55+200	OIDES355205
398	525	55+200	OIDES395205
415	470	55+200	OIDES414705
495	542	55+200	OIDES495405

## Front plate, OIFP

- Description:** Front plate for components, with a protection film in one side.
- Material:** 3 mm aluminium.
- Pack quantity:** 1 piece. Mounting accessories are supplied with the control panel OICP and in OIDES.



For enclosure				
H	W	h	w	Item no.
269	485	255	471	OIFP3052
305	355	291	341	OIFP3439
314	485	300	471	OIFP3552
358	485	344	471	OIFP3952
375	430	361	416	OIFP4147
455	502	441	488	OIFP4954

## Spring nut set, OISN

- Description:** Spring nuts for fixing components easily, without any machining in the panel.
- Pack quantity:** 10 pieces.

Thread	Item no.
M4	OISN04
M5	OISN05



## Keyboard support, OIKS

- Description:** Keyboard support to be fixed to the control panel. Machining is required.
- Material:** Mild steel. Stainless steel available on request.
- Finish:** RAL 9006.
- Pack quantity:** 1 piece with mounting accessories.

Item no.
OIKS01



## Command handle, OICH

- Description:** Handle with ergonomic design, which enables easy handling of the panel, even with working gloves. Machining is required.
- Material:** Aluminium.
- Finish:** Anodised aluminium.
- Pack quantity:** 1 piece.

W	Item no.
250	OICH250
350	OICH350



## 120° connecting brackets, OIPC

- Description:** Rigid elements for connecting two OICP control panels. Machining is required.
- Material:** Aluminium.
- Finish:** RAL 9006.
- Pack quantity:** 2 pcs with mounting accessories.

Item no.
OIPC01

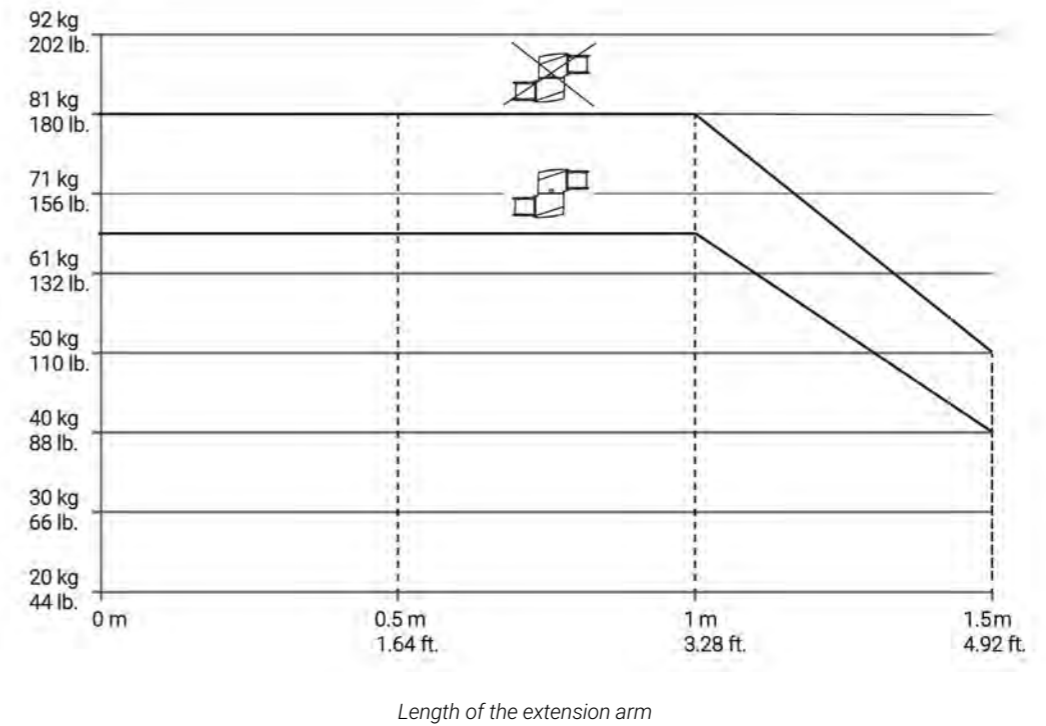




# Human Machine Interface

## Swing Arm System

### Light swing arm system, S1



# Human Machine Interface

## Swing Arm System

### Accessories

## Operator arm profile, light, S1MT

**Additional information:**

Aluminum tubes provide structural integrity and act as conduit for equipment wiring. Tubes attach to system components with 6 setscrews on each end of the tube. Setscrews are provided with system couplings, not the tubes. Setscrews allow for easy adjustment and leveling of the system. Setscrews are provided with thread sealer providing secure connections. Available in 6 standard lengths ranging from 250 mm (9.84) to 1500 mm (59.05). Tubes 750 mm (29.53) and longer include drilling template to assist with drilling and tapping the holes when tube is cut to length.

**Note:**

The maximum weight which a light swing arm can support depends on the length of the arm and the system structure. See diagram in the mounting instructions.



Length	Height	Width	Item no.
250	75	55	S1MT250
500	75	55	S1MT500
750	75	55	S1MT750
1000	75	55	S1MT1000
1250	75	55	S1MT1250
1500	75	55	S1MT1500

## Wall joint vertical, light, S1MWJV

**Additional information:**

The vertical wall joint mounts the suspension system to a vertical surface, allowing the tube to extend vertically. The arm can be rotated 300 degrees. Includes a safety stop and maintenance-free bearings. Die-cast aluminum construction. Includes installation instructions, gaskets, and tube setscrews. Surface mounting hardware is not provided.

**Note:**

The maximum weight which a light swing arm can support depends on the length of the arm and the system structure. See diagram in the mounting instructions.



Item no.
S1MWJV

## Wall joint horizontal, light, S1MWJH

**Additional information:**

The horizontal wall joint mounts the suspension system to a vertical surface, allowing the tube to extend horizontally. The arm can be rotated 300 degrees. Includes a safety stop and maintenance-free bearings. Die-cast aluminum construction. Includes installation instructions, gaskets, and tube setscrews. Surface mounting hardware is not provided.

**Note:**

The maximum weight which a light swing arm can support depends on the length of the arm and the system structure. See diagram in the mounting instructions.



Item no.
S1MWJH

## Elbow, light, S1ME

**Additional information:**

The elbow provides a 90-degree bend in the suspension system. Die-cast aluminum construction. Includes installation instructions, gaskets, and tube setscrews.

**Note:**

The maximum weight which a light swing arm can support depends on the length of the arm and the system structure. See diagram in the mounting instructions.

Item no.
S1ME



## Intermediate joint, light, S1MIJ

**Additional information:**

Use an intermediate joint to join two horizontal tubes together for a longer length. The arm can be rotated 300 degrees. Includes safety stop and maintenance-free bearings. Die-cast aluminum construction. Includes installation instructions, gaskets, and tube setscrews. Use of the intermediate joint reduces the system load rating capacity to 146 lb. (66 kg) at 3.3 ft. (1 m).

**Note:**

The maximum weight which a light swing arm can support depends on the length of the arm and the system structure. See diagram in the mounting instructions.

Item no.
S1MIJ



## Rotatable elbow, light, S1MER

**Additional information:**

The rotatable elbow provides a 90-degree bend in the suspension system and allows the vertical tube to rotate 300 degrees. Includes safety stop and maintenance-free bearings. Die-cast aluminum construction. Includes installation instructions, gaskets, and tube setscrews.

**Note:**

The maximum weight which a light swing arm can support depends on the length of the arm and the system structure. See diagram in the mounting instructions.

Item no.
S1MER



# Human Machine Interface Swing Arm System

## Accessories

### Coupling HMI, light, S1MFC

**Additional information:** The flange coupling attaches a tube to the enclosure, enabling 300-degree enclosure rotation and can be locked into a given position. The flange coupling has a safety stop and maintenance-free bearings. Die-cast aluminum construction. Includes installation instructions, gaskets, tube setscrews and enclosure mounting hardware.

**Note:** The maximum weight which a light swing arm can support depends on the length of the arm and the system structure. See diagram in the mounting instructions.



Item no.

S1MFC

### Elbow coupling HMI, light, S1MFEC

**Additional information:** The flange elbow coupling attaches directly to the enclosure for applications where a vertical tube is not required. It enables the enclosure to rotate 300 degrees and can be locked into a given position. The flange elbow coupling has a safety stop and maintenance-free bearings. Die-cast aluminum construction. Includes installation instructions, gaskets, tube setscrews and enclosure mounting hardware.

**Note:** The maximum weight which a light swing arm can support depends on the length of the arm and the system structure. See diagram in the mounting instructions.



Item no.

S1MFEC

### Narrow adapter, light, S1MA

**Additional information:** The Narrow Adapter can be attached to the Flange Coupling and Flange Elbow Coupling to create a narrower connection to an enclosure. Specifically designed for use with the Suspend Aluminum HMI Enclosures that have 66mm of usable space. Does not inhibit coupling functionality. Die-cast aluminum construction. Includes installation instructions, gaskets, and mounting hardware.

**Note:** The maximum weight which a light swing arm can support depends on the length of the arm and the system structure. See diagram in the mounting instructions.



Item no.

S1MA

### Horiz. panel coupling, light, S1MPCH

**Additional information:** The horizontal panel coupling mounts a horizontal tube to the back of an enclosure or screen using Video Electronics Standards Association (VESA) mounting. The coupling has mounting holes drilled for standard VESA 75 and 100 flange sizes. It enables the enclosure to rotate 300 degrees and can be locked into a given position. The horizontal panel coupling has a safety stop and maintenance-free bearings. Die-cast aluminum construction. Includes installation instructions, gaskets, tube setscrews and enclosure mounting hardware.

**Note:** The maximum weight which a light swing arm can support depends on the length of the arm and the system structure. See diagram in the mounting instructions.



Item no.

S1MPCH

### Vertical panel coupling, light, S1MPCV

**Additional information:** The vertical panel coupling mounts a vertical tube to the back of an enclosure or screen using Video Electronics Standards Association (VESA) mounting. The coupling has mounting holes drilled for standard VESA 75 and 100 flange sizes. It enables the enclosure to rotate 300 degrees and can be locked into a given position. The vertical panel coupling has a safety stop and maintenance-free bearings. Die-cast aluminum construction. Includes installation instructions, gaskets, tube setscrews and enclosure mounting hardware.

**Note:** The maximum weight which a light swing arm can support depends on the length of the arm and the system structure. See diagram in the mounting instructions.



Item no.

S1MPCV

### Reduction elbow, light, S1MRE

**Additional information:** The reduction elbow provides a 90-degree bend in the suspension system between the horizontal tube and base connection of the Suspend 281-Max system and the vertical components of the Suspend 180-Max system. Die-cast aluminum construction. Available in RAL 9005 black finish only. Includes installation instructions, gaskets, and tube setscrews. Use of the reduction elbow with the Suspend 281-Max base and tube increases the system load rating to 281 lb. (127 kg) at 3.3 ft. (1 m).

**Note:** The maximum weight which a light swing arm can support depends on the length of the arm and the system structure. See diagram in the mounting instructions.



Item no.

S1MRE

# Human Machine Interface

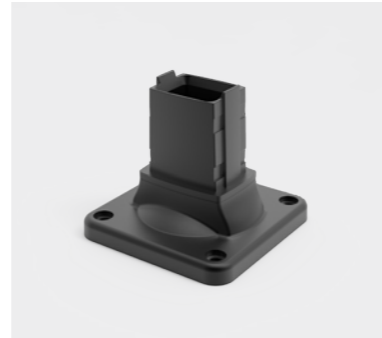
## Swing Arm System

### Accessories

#### Base/ wall bracket, light, S1MWF

**Additional information:** The wall flange allows for fixed positioning on a horizontal or vertical surface when rotation is not needed. Die-cast aluminum construction. Includes installation instructions, gaskets, and tube setscrews. Surface mounting hardware is not provided.

**Note:** The maximum weight which a light swing arm can support depends on the length of the arm and the system structure. See diagram in the mounting instructions.



Item no.
S1MWF

#### Rotation limiter (aluminum), S1MRL

**Additional information:** Rotation limiters are a retro-fit option to limit the rotation of couplings and joints which normally rotate 300 degrees. Each block limits rotation 30 degrees. Kit includes six rotation limiting blocks and installation instructions.

**Note:** The maximum weight which a light swing arm can support depends on the length of the arm and the system structure. See diagram in the mounting instructions.



Item no.
S1MRL

#### Rotary base bracket, light, S1MTBB

**Additional information:** The rotatable base bracket allows the entire suspension system to rotate at the point of attachment on a horizontal surface. The arm can be rotated 300 degrees. Includes a safety stop and maintenance-free bearings. Die-cast aluminum construction. Includes installation instructions, gaskets, and tube setscrews. Surface mounting hardware is not provided.

**Note:** The maximum weight which a light swing arm can support depends on the length of the arm and the system structure. See diagram in the mounting instructions.



Item no.
S1MTBB

#### Signal light adapter, round, S1MSLAR

**Additional information:** The signal light adapters are available in either round, elbow and reduction elbow cover versions and provide a means for attaching signal lights. Signal lights are not included. Aluminum caps are finished in RAL 9006 white aluminum powder paint. Includes caps, gasket, attachment hardware, and post.

**Note:** The maximum weight which a light swing arm can support depends on the length of the arm and the system structure. See diagram in the mounting instructions.



Item no.
S1MSLAR

#### Set up joint, light, S1MSJ

**Additional information:** The set-up joint mounts the suspension system to a horizontal surface. The arm can be rotated 300 degrees. Includes a safety stop and maintenance-free bearings. Die-cast aluminum construction. Includes installation instructions, gaskets, and tube setscrews. Surface mounting hardware is not provided.

**Note:** The maximum weight which a light swing arm can support depends on the length of the arm and the system structure. See diagram in the mounting instructions.



Item no.
S1MSJ

#### Signal light adapter, angled, S1MSLAA

**Additional information:** The signal light adapters are available in either round, elbow and reduction elbow cover versions and provide a means for attaching signal lights. Signal lights are not included. Aluminum caps are finished in RAL 9006 white aluminum powder paint. Includes caps, gasket, attachment hardware, and post.

**Note:** The maximum weight which a light swing arm can support depends on the length of the arm and the system structure. See diagram in the mounting instructions.



Item no.
S1MSLAA

# Human Machine Interface

## Swing Arm System

### Accessories

### Signal light adapter, reduction, S1MSLARE

**Additional information:** The signal light adapters are available in either round, elbow and reduction elbow cover versions and provide a means for attaching signal lights. Signal lights are not included. Aluminum caps are finished in RAL 9006 white aluminum powder paint. Includes caps, gasket, attachment hardware, and post.

**Note:** The maximum weight which a light swing arm can support depends on the length of the arm and the system structure. See diagram in the mounting instructions.



**Item no.**  
S1MSLARE

### Replacement cap kit, reduction, S1MRCREK

**Additional information:** Replacement Caps for Syspend 180 Max couplings are available in either round, elbow or reduction elbow versions. The hardware is included. The caps are aluminum finished in RAL 9006 white aluminum powder paint.

**Note:** The maximum weight which a light swing arm can support depends on the length of the arm and the system structure. See diagram in the mounting instructions.



**Item no.**  
S1MRCREK

### Replacement cap kit, round, S1MRCRK

**Additional information:** Replacement Caps for Syspend 180 Max couplings are available in either round, elbow or reduction elbow versions. The hardware is included. The caps are aluminum finished in RAL 9006 white aluminum powder paint.

**Note:** The maximum weight which a light swing arm can support depends on the length of the arm and the system structure. See diagram in the mounting instructions.



**Item no.**  
S1MRCRK

### Replacement hardware kit, S1MRHK

**Additional information:** The replacement hardware kit includes spare parts necessary within the Syspend 180 Max system. Kit Includes: 1 lock actuator; 1 lever clamp; 1 coupling gasket; 2 flat small gaskets; 4 M6 allen head screws; 4 M6 lock washers; 12 M10 headless setscrews; 1 flat large gasket; 6 M12 headless setscrews; .5 meters of 3mm cord gasket

**Note:** The maximum weight which a light swing arm can support depends on the length of the arm and the system structure. See diagram in the mounting instructions.



**Item no.**  
S1MRHK

### Replacement cap kit, angled, S1MRCAK

**Additional information:** Replacement Caps for Syspend 180 Max couplings are available in either round, elbow or reduction elbow versions. The hardware is included. The caps are aluminum finished in RAL 9006 white aluminum powder paint.

**Note:** The maximum weight which a light swing arm can support depends on the length of the arm and the system structure. See diagram in the mounting instructions.

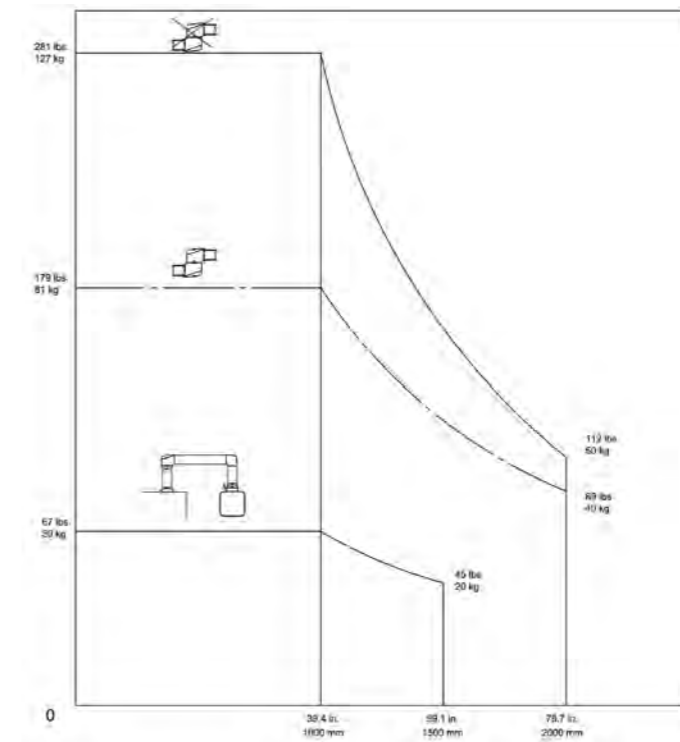


**Item no.**  
S1MRCAK



# Human Machine Interface Swing Arm System

Medium swing arm system, S2



Length of the extension arm



S2MWF



S2MRB



S2MSJ



S2MWJV



S2MWJH



S2ME



S2MIJ



S2MER



S2MFC



S2MFEC



S2MT

# Human Machine Interface Swing Arm System

## Accessories

### Operator arm profile, S2MT

**Additional information:**

Angled aluminum tubes provide structural integrity and act as conduit for equipment wiring. Tubes attach to system components with 6 setscrews on each end of the tube. (Setscrews are provided with the mating system components, not the tubes.) Setscrews allow for easy adjustment and leveling of the system. Setscrews are provided with LOCTITE™ to seal threaded holes and provide secure connections. Available in 8 standard lengths ranging from 250 mm to 2000 mm. Tubes 750 mm and longer include drilling template to assist with drilling and tapping the holes when the tube is cut to length.

**Note:**

The maximum weight a medium swing arm can support depends on the length of the arm and the system structure. See diagram in the mounting instructions.



Length	Height	Width	Item no.
250	90	70	S2MT250
500	90	70	S2MT500
750	90	70	S2MT750
1000	90	70	S2MT1000
1250	90	70	S2MT1250
1500	90	70	S2MT1500
1750	90	70	S2MT1750
2000	90	70	S2MT2000

### Rotary base bracket, S2MRB

**Additional information:**

Rotary Base allows the entire suspension system to rotate at the point of attachment on a horizontal surface. The arm can be rotated or turned 300 degrees. Includes safety stop and maintenance-free bearing. RAL 9005 black finish. Die-cast aluminum construction. Includes installation instructions, gaskets and tube setscrews. Surface mounting hardware is not provided.

**Note:**

The maximum weight a medium swing arm can support depends on the length of the arm and the system structure. See diagram in the mounting instructions.



Item no.
S2MRB

### Set up joint, S2MSJ

**Additional information:**

Set-Up Joint mounts suspension system to a horizontal surface. The arm can be rotated or turned 300 degrees. Includes safety stop and maintenance-free bearing. RAL 9005 black finish. Die-cast aluminum construction. Includes removable cable access cover, installation instructions, gaskets and tube setscrews. Surface mounting hardware is not provided.

**Note:**

The maximum weight a medium swing arm can support depends on the length of the arm and the system structure. See diagram in the mounting instructions.



Item no.
S2MSJ

### Wall joint Vertical, S2MWJV

**Additional information:**

Vertical Wall Joint mounts suspension system to vertical surface and allows tube to extend vertically. Enables the arm to be rotated or turned 300 degrees. Includes safety stop and maintenance-free bearing. RAL 9005 black finish. Die-cast aluminum construction. Includes removable cable access cover, installation instructions, gaskets and tube setscrews. Surface mounting hardware is not provided.

**Note:**

The maximum weight a medium swing arm can support depends on the length of the arm and the system structure. See diagram in the mounting instructions.



Item no.
S2MWJV

### Wall joint horizontal, S2MWJH

**Additional information:**

Horizontal Wall Joint mounts suspension system to vertical surface, allowing tube to extend horizontally. The arm can be rotated or turned 300 degrees. Includes safety stop and maintenance-free bearing. RAL 9005 black finish. Die-cast aluminum construction. Includes two removable cable access covers, installation instructions, gaskets and tube setscrews. Surface mounting hardware is not provided.

**Note:**

The maximum weight a medium swing arm can support depends on the length of the arm and the system structure. See diagram in the mounting instructions.



Item no.
S2MWJH

### Elbow, S2ME

**Additional information:**

Elbow provides a 90-degree bend in the suspension system. RAL 9005 black finish. Die-cast aluminum construction. Includes removable cable access cover, installation instructions, gaskets and tube setscrews.

**Note:**

The maximum weight a medium swing arm can support depends on the length of the arm and the system structure. See diagram in the mounting instructions.



Item no.
S2ME



# Human Machine Interface Swing Arm System

## Accessories

### Rotation elbow, S2MER

**Additional information:** Rotatable elbow provides a 90-degree bend in the suspension system and allows the vertical tube to rotate 300 degrees. Includes safety stop and maintenance-free bearing. RAL 9005 black finish. Die-cast aluminum construction. Includes removable cable access cover, installation instructions, gaskets and tube setscrews.

**Note:** The maximum weight a medium swing arm can support depends on the length of the arm and the system structure. See diagram in the mounting instructions.

**Item no.**  
S2MER



### Elbow couple kit, S2MFEC

**Additional information:** Flange Elbow Coupling attaches directly to the enclosure for applications where a vertical tube is not required. Enables the enclosure to be rotated 300 degrees and locked in position. Includes safety stop and maintenance-free bearing. RAL 9005 black finish. Die-cast aluminum construction. Includes cable access cover, installation instructions, gaskets, tube setscrews and enclosure mounting hardware.

**Note:** The maximum weight a medium swing arm can support depends on the length of the arm and the system structure. See diagram in the mounting instructions.

**Item no.**  
S2MFEC



### Intermediate joint, S2MIJ

**Additional information:** Use Intermediate Joint to join two horizontal tubes together for a longer run. The arm can be rotated or turned 300 degrees. Includes safety stop and maintenance-free bearing. RAL 9005 black finish. Die-cast aluminum construction. Includes two removable cable access covers, installation instructions, gaskets and tube setscrews. Use of the Intermediate Joint reduces the system load capacity to 179 lb. (81.2 kg) at 3.3 ft. (1 m).

**Note:** The maximum weight a medium swing arm can support depends on the length of the arm and the system structure. See diagram in the mounting instructions.

**Item no.**  
S2MIJ



### Tube adapter, S2MTA

**Additional information:** Use a Tube Adapter when the tube is cut to length and it is not desirable to drill and tap new holes in the tube. The adapter attaches to the tube with internal setscrews and provides mounting holes at the end where the tube was cut. RAL 9005 black finish. Die-cast aluminum construction. Includes installation instructions, gasket and hardware for attaching to the tube.

**Note:** The maximum weight a medium swing arm can support depends on the length of the arm and the system structure. See diagram in the mounting instructions.

**Item no.**  
S2MTA



### Couple kit HMI, S2MFC

**Additional information:** Flange Coupling attaches a tube to the enclosure, enabling 300-degree enclosure rotation. The enclosure can be locked in position. Flange Coupling has safety stop and maintenance-free bearing. RAL 9005 black finish. Die-cast aluminum construction. Includes installation instructions, gaskets, tube setscrews and enclosure mounting hardware.

**Note:** The maximum weight a medium swing arm can support depends on the length of the arm and the system structure. See diagram in the mounting instructions.

**Item no.**  
S2MFC



### Angled coupling tilted back, S2MACB

**Additional information:** Use Angled Coupling Tilted Backward to mount enclosure at a 15-degree backward angle. The enclosure can be rotated 300 degrees and locked in position. Includes safety stop and maintenance-free bearing. RAL 9005 black finish. Die-cast aluminum construction. Includes installation instructions, gaskets, tube setscrews and enclosure mounting hardware.

**Note:** The maximum weight a medium swing arm can support depends on the length of the arm and the system structure. See diagram in the mounting instructions.

**Item no.**  
S2MACB





# Human Machine Interface Swing Arm System

## Accessories

### Angled coupling tilted forward, S2MACF

**Additional information:** Use Angled Coupling Tilted Forward to mount enclosure at a 15-degree forward angle. The enclosure can be rotated 300 degrees and locked in position. Includes safety stop and maintenance-free bearing. RAL 9005 black finish. Die-cast aluminum construction. Includes installation instructions, gaskets, tube setscrews and enclosure mounting hardware.

**Note:** The maximum weight a medium swing arm can support depends on the length of the arm and the system structure. See diagram in the mounting instructions.

**Item no.**  
S2MACF



### Base coupling, S2MBC

**Additional information:** Base Coupling attaches the enclosure directly to a horizontal surface. The enclosure can be rotated 300 degrees and locked in position. Includes safety stop and maintenance-free bearing. RAL 9005 black finish. Die-cast aluminum construction. Includes installation instructions, gaskets and enclosure mounting hardware. Surface mounting hardware is not provided.

**Note:** The maximum weight a medium swing arm can support depends on the length of the arm and the system structure. See diagram in the mounting instructions.

**Item no.**  
S2MBC

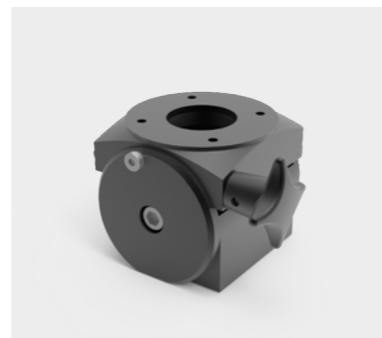


### Angled adapter, S2MAA

**Additional information:** Angled Adapter must be used in conjunction with a coupling (not compatible with S2MFC48). The enclosure angle can be adjusted forward or backward up to 30 degrees. RAL 9005 black finish. Die-cast aluminum construction. Includes installation instructions, gasket and enclosure mounting hardware. Maximum load bearing capacity is 67 lb. (30.4 kg).

**Note:** The maximum weight a medium swing arm can support depends on the length of the arm and the system structure. See diagram in the mounting instructions.

**Item no.**  
S2MAA



### Base/ wall flange, S2MWF

**Additional information:** Wall Flange allows for fixed positioning on a horizontal or vertical surface when rotation is not needed. RAL 9005 black finish. Die-cast aluminum construction. Includes installation instructions, gaskets and tube setscrews. Surface mounting hardware is not provided.

**Note:** The maximum weight a medium swing arm can support depends on the length of the arm and the system structure. See diagram in the mounting instructions.

**Item no.**  
S2MWF



### 48-mm round tube flange coupling medium, S2MFC48

**Additional information:** Flange Coupling to attach the Vertical Motion Pedestal Tube to the enclosure. The enclosure can be rotated 300 degrees and locked in position. Includes safety stop and maintenance-free bearing. RAL 9005 black finish. Die-cast aluminum construction. Includes installation instructions, gaskets and enclosure mounting hardware. Coupling attaches to enclosure using a 48 x 48-mm hole pattern. An adapter is required to attach the coupling to a standard Hoffman HMI enclosure that uses a 60 x 60-mm hole pattern (i.e., required for attaching to Concept HMI, CC2000, CC4000). Includes safety stop and maintenance-free bearing. RAL 9005 black finish. Die-cast aluminum construction. Includes installation instructions, gaskets and enclosure mounting hardware.

**Note:** The maximum weight a medium swing arm can support depends on the length of the arm and the system structure. See diagram in the mounting instructions.

**Item no.**  
S2MFC48

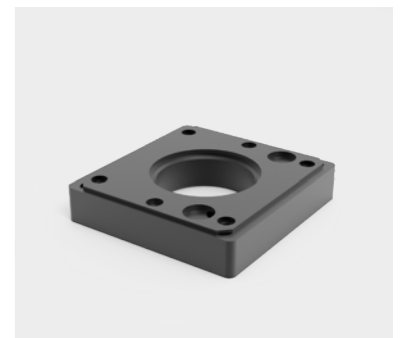


### 48-mm round tube flange adapt., S2MA48

**Additional information:** Use Flange Coupling to attach the Vertical Motion Pedestal Tube to the enclosure. The enclosure can be rotated 300 degrees and locked in position. Includes safety stop and maintenance-free bearing. RAL 9005 black finish. Die-cast aluminum construction. Includes installation instructions, gaskets and enclosure mounting hardware. Coupling attaches to enclosure using a 48 x 48-mm hole pattern. An adapter is required to attach the coupling to a standard Hoffman HMI enclosure that uses a 60 x 60-mm hole pattern (i.e., required for attaching to Concept HMI, CC2000, CC4000). Includes safety stop and maintenance-free bearing. RAL 9005 black finish. Die-cast aluminum construction. Includes installation instructions, gaskets and enclosure mounting hardware.

**Note:** The maximum weight a medium swing arm can support depends on the length of the arm and the system structure. See diagram in the mounting instructions.

**Item no.**  
S2MA48



## Human Machine Interface Swing Arm System

### Accessories

#### Vertical motion pedestal, S2M10VP

**Additional information:** Height-adjustable tubes allow enclosure to be positioned at the optimal viewing height for different operators. Requires the 48-mm Round Tube Flange Coupling (S2MFC48) and Adapter (S2MA48) for attachment to Hoffman enclosures with a 60 x 60-mm hole pattern (i.e., required for attaching to Concept HMI, CC2000, CC4000). Adjustable from 1130 mm (44.49 in.) to 1380 mm (54.33 in.) with internal gas springs. Four models support loads ranging from 11 to 77 lb. (4.9 to 34.9 kg). Height is fixed in place at any position by the locking handle. Cables are separated from gas springs inside the tube. Internal strain-relief for cables inside the tube. Can be attached to Small Pedestal Base, Large Pedestal Base, Vertical Wall Joint, Wall Flange, Rotary Base, Elbow or Rotatable Elbow. Aluminum construction. Tube cannot be inverted for overhead mounting on the enclosure. The weight of the coupling, adapter plate, enclosure and internal components must be factored into the load when selecting a tube.

**Note:** The maximum weight a medium swing arm can support depends on the length of the arm and the system structure. See diagram in the mounting instructions.

Item no.	Load capacity
S2M10VP22	22 lb, 10 kg
S2M10VP37	37 lb, 17 kg
S2M10VP57	57 lb, 26 kg
S2M10VP77	77 lb, 35 kg

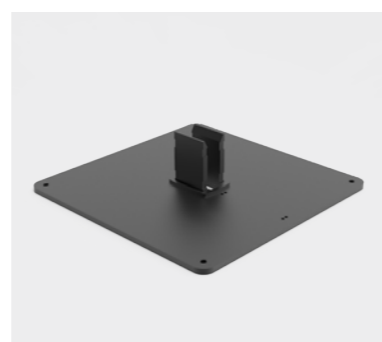


#### Small pedestal base, S2MPBS

**Additional information:** Tubes attach directly to Small Pedestal Base. RAL 9005 black finish. Constructed from 3/8-in. thick steel plate. Includes installation instructions, cable ties and tube setscrews. Surface mounting hardware is not provided. Compatible with accessory casters and levelers. Supports loads per Load Rating Graph.

**Note:** The maximum weight a medium swing arm can support depends on the length of the arm and the system structure. See diagram in the mounting instructions.

Item no.
S2MPBS



#### Light signal adapter rectangle, S2MLSAE

**Additional information:** Light signal adapters are available in either round or elbow cover versions and provide a means for attaching signal lights. Signal lights are not included. Gray composite cover caps include a gasket, attachment hardware and post and replace the caps provided with other system components.

**Note:** The maximum weight a medium swing arm can support depends on the length of the arm and the system structure. See diagram in the mounting instructions.

Item no.
S2MLSAE



#### Light signal adapter round, S2MLSAR

**Additional information:** Light signal adapters are available in either round or elbow cover versions and provide a means for attaching signal lights. Signal lights are not included. Gray composite cover caps include a gasket, attachment hardware and post and replace the caps provided with other system components.

**Note:** The maximum weight a medium swing arm can support depends on the length of the arm and the system structure. See diagram in the mounting instructions.

Item no.
S2MLSAR

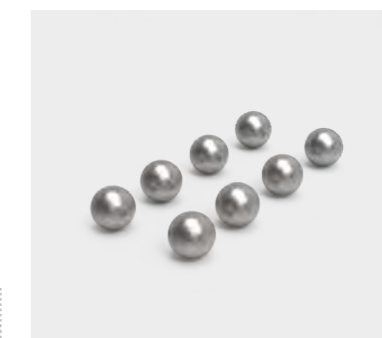


#### Rotation limiters, S2MRL

**Additional information:** Rotation limiters can be retro-fitted on coupling and joint components and are adjustable in increments of 13.7 degrees. Limits rotation of couplings and joints which normally rotate 300 degrees. The kit includes ten steel balls, plug and installation instructions.

**Note:** The maximum weight a medium swing arm can support depends on the length of the arm and the system structure. See diagram in the mounting instructions.

Item no.
S2MRL



#### Tube hole plugs, S2MTHP

**Additional information:** Plastic hole plugs cover up the set screws in the tubes. Kit includes 50 hole plugs. Hole plugs are not needed to maintain the suspension system's NEMA Type 12 rating but provide an attractive smooth finish for the tube. RAL 9006 white aluminum color.

**Note:** The maximum weight a medium swing arm can support depends on the length of the arm and the system structure. See diagram in the mounting instructions.

Item no.
S2MTHP

