

MINING ENCLOSURES



A Phoenix Mecano Company

ROSE Systemtechnik GmbH

The company was founded in 1969 and specializes in the development and production of high quality industrial enclosures, which are used in a variety of environmental conditions.

Phoenix Mecano AG / Switzerland is a global company.

The basis of our business success are systems from a wide range of high quality products, innovative design and first class customer service.

For more informations please visit our website

www.rose-pw.de

www.rose-ex-enclosures.com



A Phoenix Mecano Company

ROSE Enclosures
Unit 35/110 Inspiration Drive
Wangara WA 6065
Ph +61 8 9302 4066
Fax +61 8 9302 4977
Mob +61 488 609 720
jday@phoenix-mecano.com.au





- IP 66 Mining enclosure
- 316 Stainless steel (X15 orange available on request)
- Mild steel (powder coated X15 orange)
- Removable door with wide opening area (180°)
- Depth adjustable mounting plate (thickness 2 mm)
- Door stay
- Mounting flanges top and bottom
- 30° sloped roof
- Integrated document holder
- Earth strap kit
- Gland plate
- Pad lockable swing handle
- Pintle hinges

Included in delivery:

Enclosure with mounting plate and gland plate, document holder

Technical Data

Material:

Enclosure body: 2 mm stainless steel 1.4404/316 (X15 orange available on request)
Gland plate: stainless steel 1.4404/316 optionally brass

Enclosure body: mild steel, powder coated X15 orange
Gland plate: brass

Mounting plate: 2 mm stainless steel 1.4404/316

Ingress protection:

IP 66

Sealing:

CR flat seal

Temperature range:

-30°C to +60°C

Mining enclosures

Product range

Order No. Stainless steel	Order No. Mild steel coated	Dimensions (mm) W x H x D
32.02 00 01	32.01 00 01	400 x 400 x 270
32.02 00 02	32.01 00 02	700 x 500 x 220
32.02 00 03	32.01 00 03	700 x 500 x 370
32.02 00 04	32.01 00 04	1000 x 800 x 220
32.02 00 05	32.01 00 05	1000 x 800 x 420

Accessories

	Stainless steel	Brass
Replacement gland plates for type 32.xx 00 01	32.09 99 01	32.09 99 11
Replacement gland plates for type 32.xx 00 02	32.09 99 02	32.09 99 12
Replacement gland plates for type 32.xx 00 03	32.09 99 03	32.09 99 13
Replacement gland plates for type 32.xx 00 04	32.09 99 04	32.09 99 14
Replacement gland plates for type 32.xx 00 05	32.09 99 05	32.09 99 15

Highlights



Padlock



Additional door fixing with screws (optional)



Large gland plate fitting area



30° sloped roof with overhang



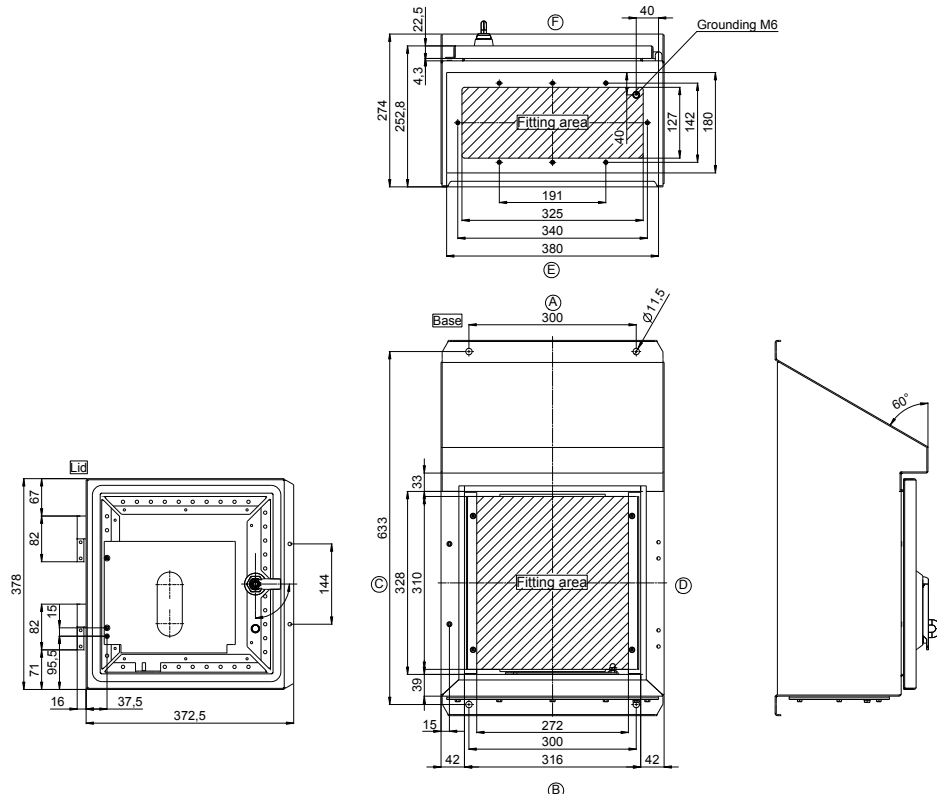
Door stay and integrated document holder



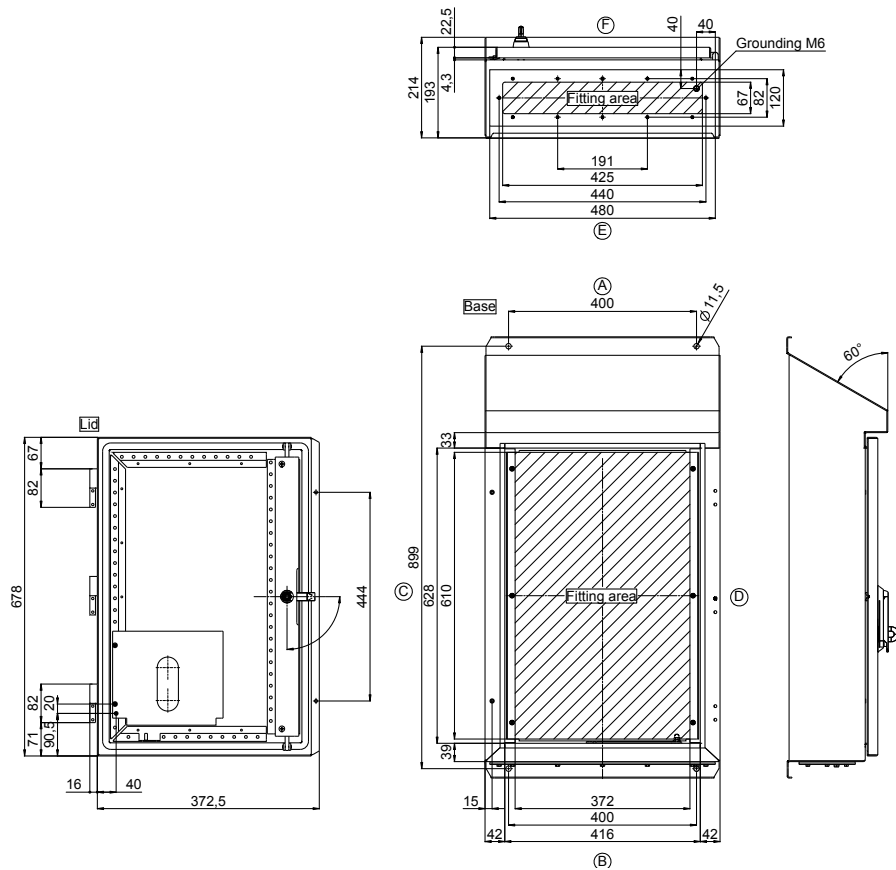
Depth adjustable mounting plate

Dimensions

Order No. **32.xx 00 01**



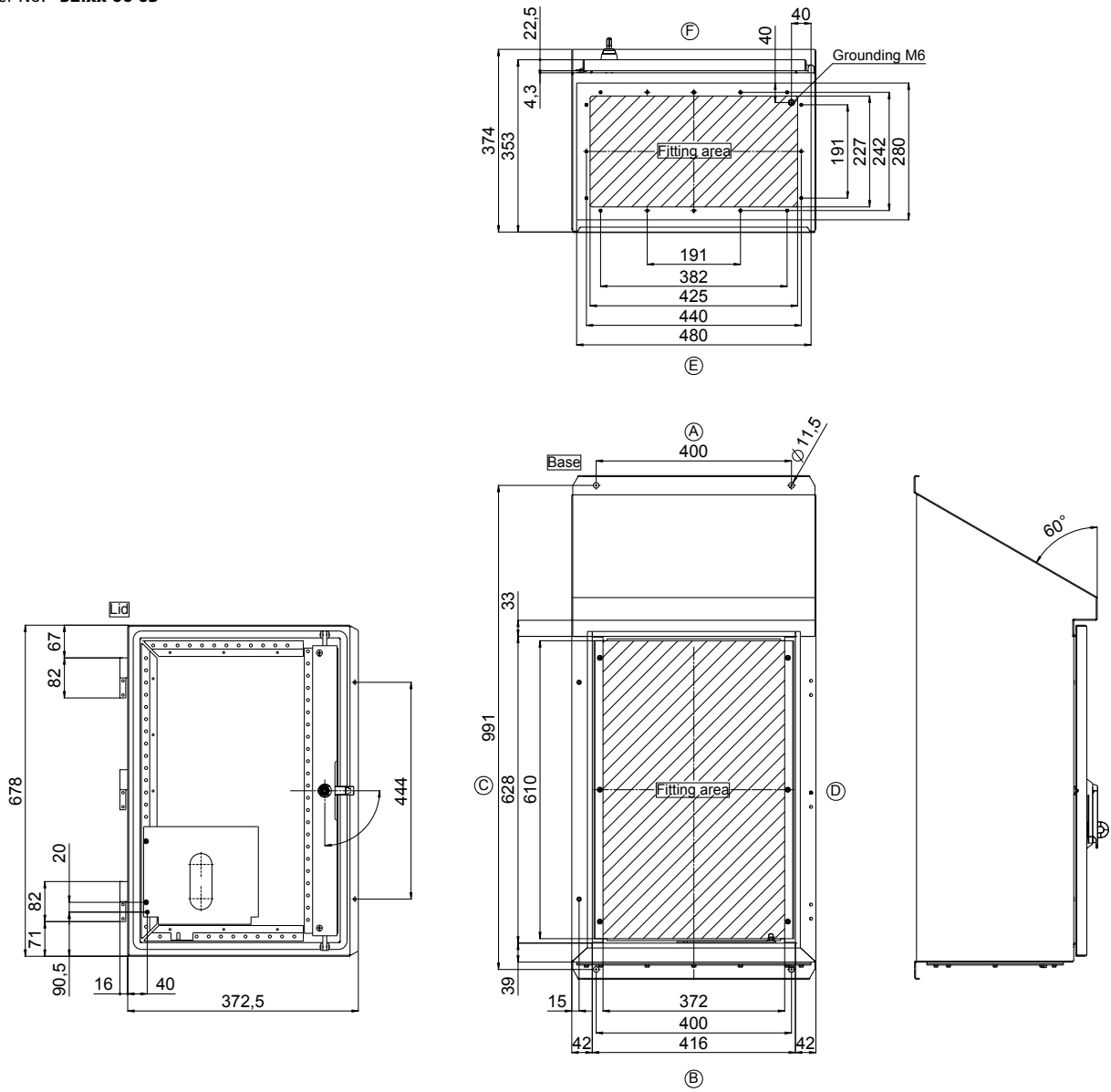
Order No. **32.xx 00 02**



Mining enclosures

Dimensions

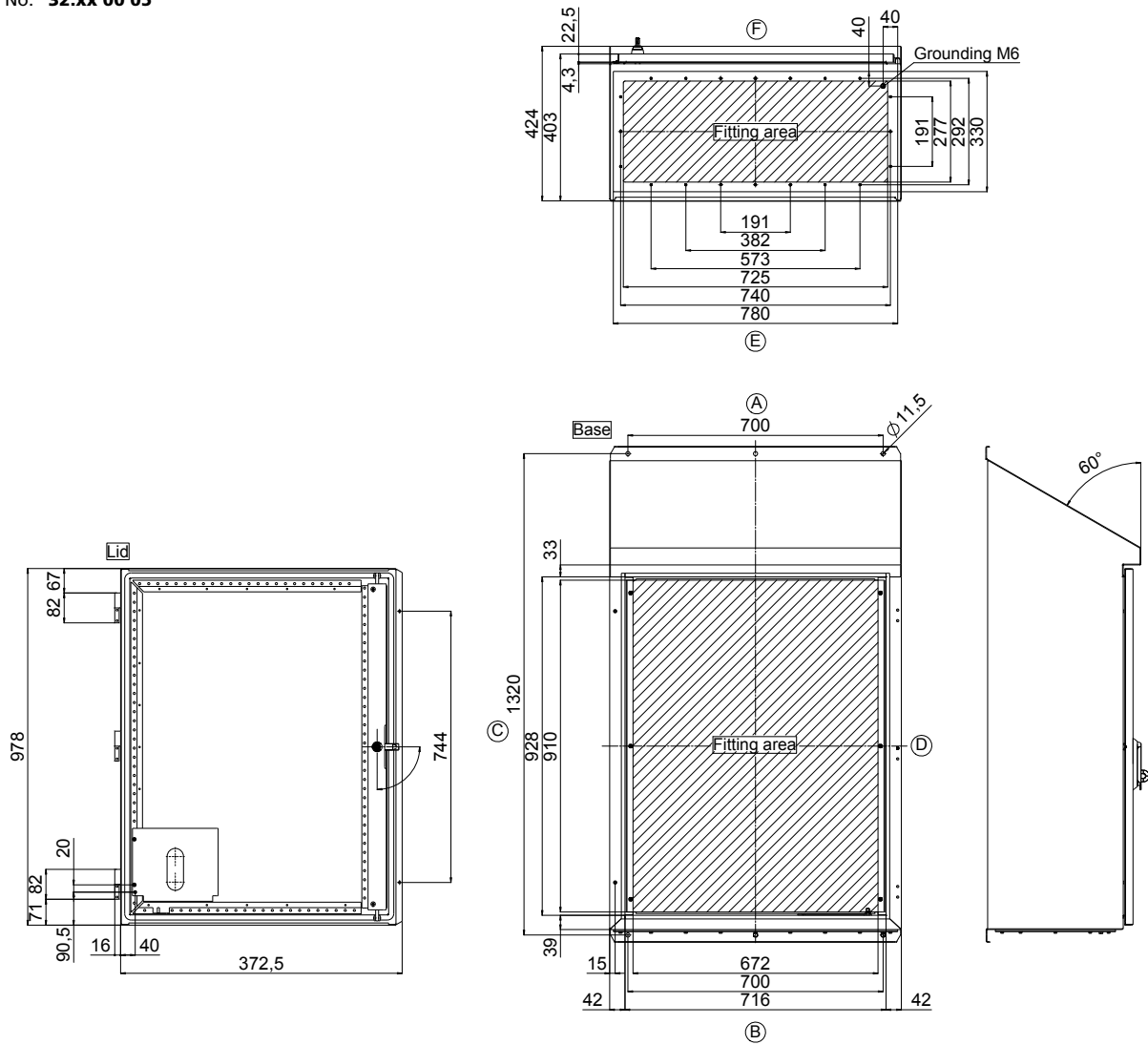
Order No. 32.xx 00 03



Mining enclosures

Dimensions

Order No. **32.xx 00 05**



HELSINKI
tel. +358 9 540 4940
info@klinkmann.fi

ST. PETERSBURG
tel. +7 812 327 3752
klinkmann@klinkmann.spb.ru

MOSCOW
tel. +7 495 641 1616
moscow@klinkmann.spb.ru

YEKATERINBURG
tel. +7 343 287 19 19
yekaterinburg@klinkmann.spb.ru

SAMARA
tel. +7 846 273 95 85
samara@klinkmann.spb.ru

UFA
tel. +7 347 293 70 04
klinkmann@klinkmann.ru

KLINKMANN

www.klinkmann.com

KIEV
tel. +38 044 495 33 40
klinkmann@klinkmann.kiev.ua

KAZAKHSTAN
tel. +777 999 4825
sales@klinkmann.kz

MINSK
tel. +375 17 200 0876
minsk@klinkmann.com

RIGA
tel. +371 6738 1617
klinkmann@klinkmann.lv

VILNIUS
tel. +370 5 215 1646
post@klinkmann.lt

TALLINN
tel. +372 668 4500
klinkmann.est@klinkmann.ee