



ELECTRONIC ENCLOSURES



A Phoenix Mecano Company

ROSE Systemtechnik GmbH

The company was founded in 1969 and specializes in the development and production of high quality industrial enclosures, which are used in a variety of environmental conditions.

Phoenix Mecano AG / Switzerland is a global company.

The basis of our business success are systems from a wide range of high quality products, innovative design and first class customer service.

For more informations please visit our homepage

www.rose-pw.de www.rose-ex-enclosures.com



A Phoenix Mecano Company

ROSE Systemtechnik GmbH
Erbeweg 13 - 15
32457 Porta Westfalica
Fon +49 571 5041 0
Fax +49 571 5041 6
E-Mail rose@rose-pw.de
Web www.rose-pw.de



Contents



Multitronic

Universal electronic PCB enclosures for wall mounting

Page 5 - 8



Multitronic TS/TS-F

Electronic PCB enclosures for DIN rails TS 35

Page 9 - 14



Multitronic SE

Panel mounting enclosure system in variable depth

Page 15 - 17



SE 200

Panel mounting enclosure system in variable length and height

Page 18 - 20



NoVoTronic

Aluminium enclosure system for data, PC- and measurement in variable length

Page 21 - 32



NoVoTronic 19

Enclosure system for 19" units

Page 33 - 40



Profitronic I

Standard electronic PCB enclosures IP 40 / IP 65

Page 41 - 44



Profitronic I/F / I/A

Electronic PCB enclosures with variable front plates IP 40 / IP 65

Page 45 - 53



Profitronic 19 / 19U

MCR enclosure system for 19" units

Page 54 - 62



Pult Profitronic

Console enclosure system

Page 63 - 64



Wavetronic

Electronic desktop enclosure system

Page 65 - 68



General technical informations

Page 69 - 71

Technical modifications reserve!



- EMC Aluminium enclosure system for MCR technology
- Integrated guide grooves for PCB's
- External mounting slots with spring nuts

Technical data

Material:

DIN EN 573 EN AW-AlMgSi

Ingress protection:

IP 40 to EN 60529

Painting:

Powder coating

Colour:

RAL 9005, jet black

Temperature range:



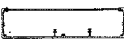


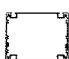
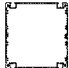
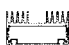

-40°C to +100°C

Included in delivery

Enclosure with two aluminium lids, screwed.

Multitronic

Product range

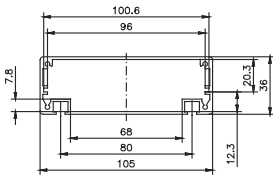
Type	Order No.	External enclosure dimensions W x L x H (mm)	Weight (g)	Version	Profile	max. PCB dimensions (mm)
Multitronic 1 	77.31 00 00	105 x 185 x 36	480	1 PCB guide 2 mounting slots	1	100 x 180
Multitronic 2 	77.32 00 00	165 x 185 x 65	1378	2 PCB guides integrated heat sink surfaces 2 mounting slots	1	160 x 180
Multitronic 3 	77.33 00 00	208 x 185 x 54	820	4 PCB guides front plate sheet aluminium lid with fixing fins	1	2 x 57 x 180 1 x 87 x 180 1 x 204 x 180
Multitronic 4 	77.34 00 00	190 x 185 x 51	500	6 PCB guides arched shape fixing fin on enclosure body	1	160 x 180
Multitronic 11 	77.11 00 00	105 x 185 x 50	500	2 PCB guides 4 mounting slots	2	100 x 180
Multitronic 12 	77.12 00 00	105 x 185 x 80	674	3 PCB guides 4 mounting slots	2	100 x 180
Multitronic 13 	77.13 00 00	105 x 185 x 110	660	4 PCB guides 4 mounting slots	2	100 x 180
Multitronic 21 	77.21 00 00	105 x 185 x 56	790	1 PCB guide upper profile as heat sink 2 mounting slots	2	100 x 180
Multitronic 22 	77.22 00 00	105 x 185 x 86	904	2 PCB guides upper profile as heat sink 2 mounting slots	2	100 x 180
Special length	77.99 99 99 8	for all profiles				

Accessories

External mounting brackets (4 pcs.)	77.00 01 00*
Snap foot, plastic, for rail mounting on TS 35	77.00 35 01
Table feet (set, self-adhesive, black)	10.07 00 19
Mounting feet (2 pcs.), grey	07.70 00 81

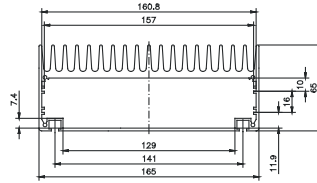
* except for Multitronic 3 and 4

Version



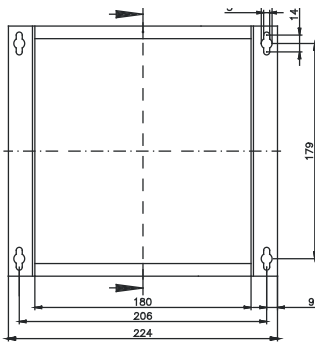
Multitronic 1

Order No. **77.31 00 00**



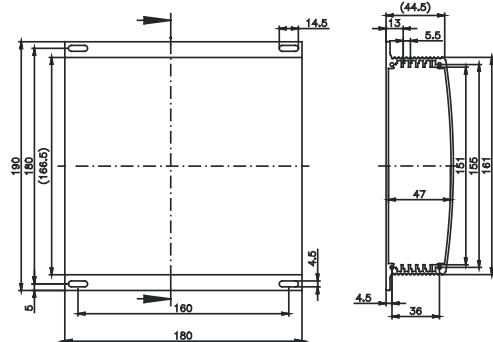
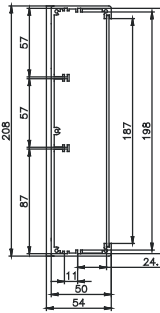
Multitronic 2

Order No. **77.32 00 00**



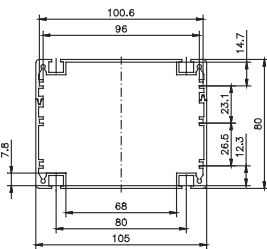
Multitronic 3

Order No. **77.33 00 00**



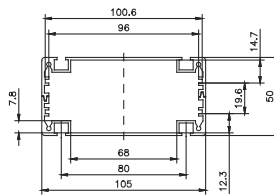
Multitronic 4

Order No. **77.34 00 00**



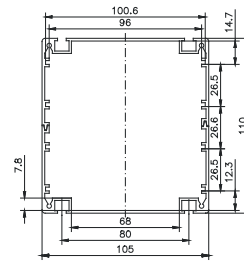
Multitronic 11

Order No. **77.11 00 00**



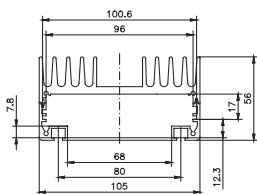
Multitronic 12

Order No. **77.12 00 00**



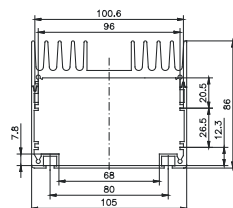
Multitronic 13

Order No. **77.13 00 00**



Multitronic 21

Order No. **77.21 00 00**



Multitronic 22

Order No. **77.22 00 00**

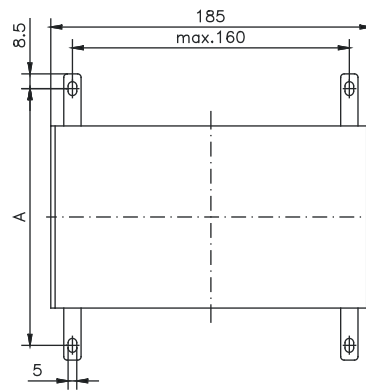
Accessories



External mounting brackets
for wall mounting on Multitronic 1, 11 - 22 and 2

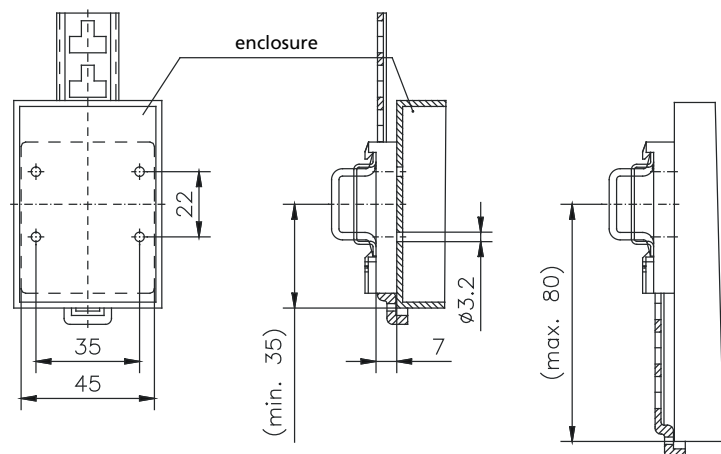
Order No. **77.00 01 00**

	A
Multitronic 1; 11-22	123
Multitronic 2	184



Snap foot, plastic
for rail mounting on TS 35

Order No. **77.00 35 01**





- Aluminium electronic enclosure for MCR technology
- Variable length version using profile technology
- Single or clam-shell enclosure construction with heat sink option

Technical data

Material:

DIN EN 573 EN AW-AlMgSi

Ingress protection:

IP 40 to EN 60529

Painting:

Powder coating

Colour:

RAL 9005, jet black

Temperature range:

-40°C to +100°C

Included in delivery

Enclosure with two aluminium lids, screwed.

Multitronic TS/TS-F

Product range

Type	Order No.	External enclosure dimensions W x H x T (mm)	Weight (g)	max. PCB dimensions in mm	DIN rails	Wall mounting	Free print terminal/ plug connector access	Closed design
TS 111	77.01 11 00	46 x 105 x 72	197	42,6 x 100	•			•
TS 111-F	77.41 11 00	46 x 105 x 72	197	42,6 x 100	•			•
TS 112	77.01 12 00	46 x 105 x 72	220	42,6 x 100		•		•
TS 112-F	77.41 12 00	46 x 105 x 72	220	42,6 x 100		•		•
TS 121	77.01 21 00	46/76 x 105 x 61	270	42,6/72,6 x 100	•		•	
TS 121-F	77.41 21 00	46/76 x 105 x 61	270	42,6/72,6 x 100	•		•	
TS 122	77.01 22 00	46/76 x 105 x 61	240	42,6/72,6 x 100		•	•	
TS 122-F	77.41 22 00	46/76 x 105 x 61	240	42,6/72,6 x 100		•	•	
TS 141	77.01 41 00	46/105 x 105 x 57	410	42,6/100,6 x 100	•		•	
TS 141-F	77.41 41 00	46/105 x 105 x 57	410	42,6/100,6 x 100	•		•	
TS 142	77.01 42 00	46/105 x 105 x 57	300	42,6/100,6 x 100		•	•	
TS 142-F	77.41 42 00	46/105 x 105 x 57	300	42,6/100,6 x 100		•	•	
TS 221	77.02 21 00	76 x 105 x 51	300	72,6 x 100	•			•
TS 221-F	77.42 21 00	76 x 105 x 51	300	72,6 x 100	•			•
TS 222	77.02 22 00	76 x 105 x 51	224	72,6 x 100		•		•
TS 222-F	77.42 22 00	76 x 105 x 51	224	72,6 x 100		•		•
TS 231	77.02 31 00	76 x 105 x 64,5	700	72,6 x 100	•			•
TS 231-F	77.42 31 00	76 x 105 x 64,5	700	72,6 x 100	•			•
TS 232	77.02 32 00	76 x 105 x 64,5	235	72,6 x 100		•		•
TS 232-F	77.42 32 00	76 x 105 x 64,5	235	72,6 x 100		•		•
TS 331	77.03 31 00	76 x 105 x 78	270	72,6 x 100	•			•
TS 331-F	77.43 31 00	76 x 105 x 78	270	72,6 x 100	•			•
TS 332	77.03 32 00	76 x 105 x 78	290	72,6 x 100		•		•
TS 332-F	77.43 32 00	76 x 105 x 78	290	72,6 x 100		•		•
TS 441	77.04 41 00	105 x 185 x 45	700	100,6 x 180	•			•
TS 441-F	77.44 41 00	105 x 185 x 45	700	100,6 x 180	•			•
TS 442	77.04 42 00	105 x 185 x 45	420	100,6 x 180		•		•
TS 442-F	77.44 42 00	105 x 185 x 45	420	100,6 x 180		•		•
TS 461	77.04 61 00	105 x 185 x 66	660	100,6 x 180	•			•
TS 461-F	77.44 61 00	105 x 185 x 66	660	100,6 x 180	•			•
TS 462	77.04 62 00	105 x 185 x 66	480	100,6 x 180		•		•
TS-462-F	77.44 62 00	105 x 185 x 66	480	100,6 x 180		•		•
TS 662	77.06 62 00	105 x 185 x 87	730	100,6 x 180		•		•
TS-662-F	77.46 62 00	105 x 185 x 87	730	100,6 x 180		•		•

Accessories

Spare snap foot for TS 32 for snapping to enclosure	77.00 35 00
Snap foot plastic, for rail mounting on TS 35	77.00 35 01
Metal snap foot (set = 2 pcs.) for TS 35 for screwing onto enclosure	77.00 36 00
Table feet (set, self adhesive, black)	10.07 00 19
Mounting feet (2 pcs., grey)	07.70 00 81

Kind of mounting



Picture 1
Multitronic TS xx1
with snap foot



Picture 2
Multitronic TS xx1-F
Front plate version with snap foot

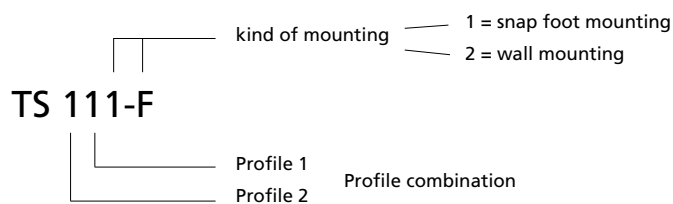


Picture 3
Multitronic TS xx2
Wall mounting



Picture 4
Multitronic TS xx2-F
Front plate version for wall mounting

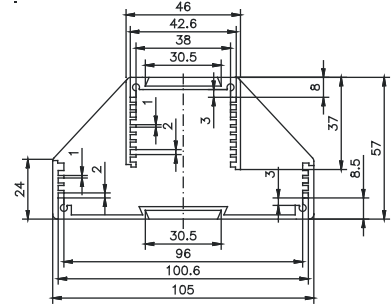
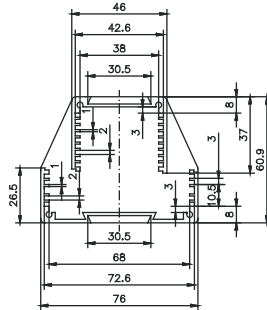
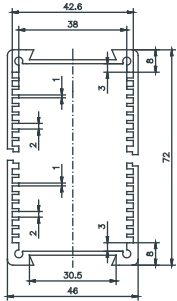
Snap foot mounting	Profile side	TS 111	TS 221	TS 231	TS 331	TS 441	TS 461		TS 121	TS 141	pict. 1
Snap foot mounting	Front plate side	TS 111-F	TS 221-F	TS 231-F	TS 331-F	TS 441-F	TS 461-F		TS 121-F	TS 141-F	pict. 2
Wall mounting	Profile side	TS 112	TS 222	TS 232	TS 332	TS 442	TS 462	TS 662	TS 122	TS 142	pict. 3
Wall mounting	Front plate side	TS 112-F	TS 222-F	TS 232-F	TS 332-F	TS 442-F	TS 462-F	TS 662-F	TS 122-F	TS 142-F	pict. 4



Multitronic TS / TS-F

Dimensions

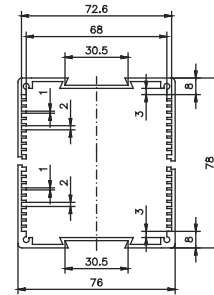
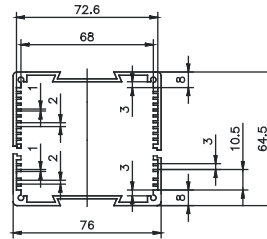
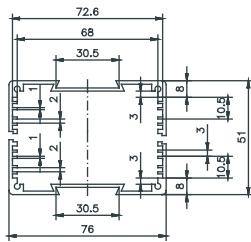
Standard profile length 100 mm



Multitronic TS 11X

Multitronic TS 12X

Multitronic TS 14X

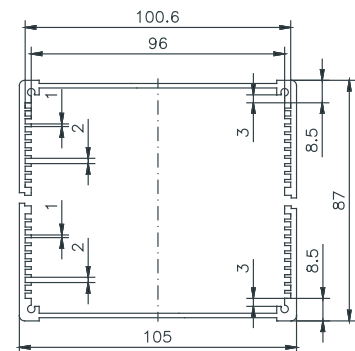
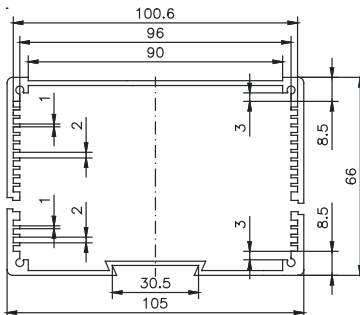
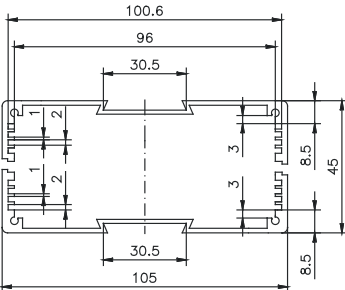


Multitronic TS 22X

Multitronic TS 23X

Multitronic TS 33X

Standard profile length 180 mm



Multitronic TS 44X

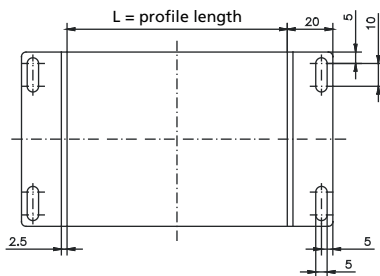
Multitronic TS 46X

Multitronic TS 662

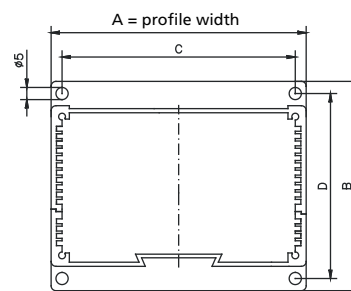
Dimensions

Type	A	B	C	D
77.41 12 00	72	66	64	56
77.41 22 00	76	81	68	71
77.41 42 00	105	77	96	67
77.42 22 00	76	71	68	61
77.42 32 00	76	84,5	68	74,5
77.43 32 00	76	98	68	88
77.44 42 00	105	65	96	55
77.44 62 00	105	86	96	76
77.46 62 00	105	107	96	97

Multitronic TS 111 to 662 with lid



Multitronic TS 112-F to 662-F



Accessories



Spare snap foot
for insert into dovetail groove suitable for TS 32
and TS 35

Order No. **77.00 35 00**



Snap foot plastic
for rail mounting on TS 35

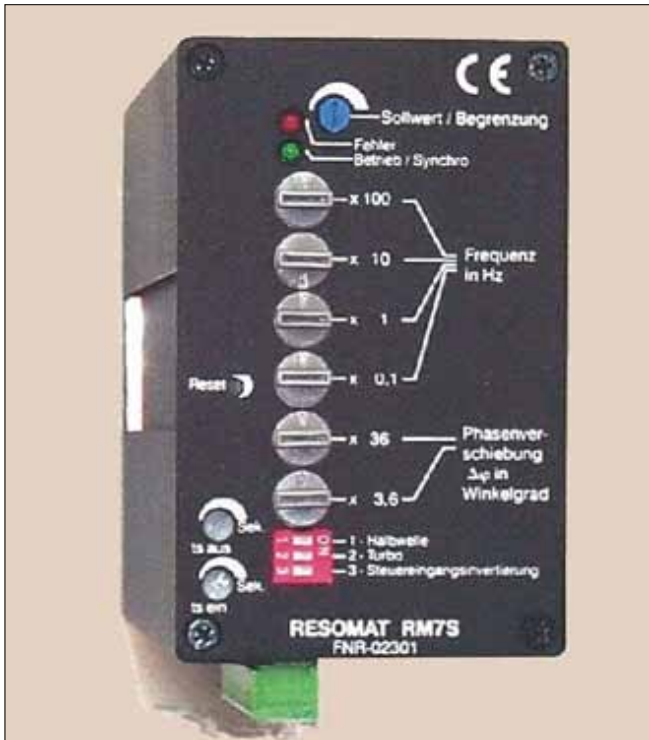
Order No. **77.00 35 01**



Metal snap foot set (2 pcs.)
for screwing on lid / front plate
suitable for TS 35

Order No. **77.00 36 00**

Applications Multitronic TS / TS-F





- Aluminium electronic enclosure for MCR technology
- Variable depth version using profile technology
- Standard sizes 96 x 48 and 96 x 96 mm

Technical data

Material:

DIN EN 573 EN AW-AlMgSi

Ingress protection:

Front side: IP 65 to EN 60529

Mounting side: IP 40 to EN 60529

Painting:

Powder coating

Colour:

RAL 9005, jet black

Temperature range:

-30°C to +80°C

by front cover frame -20°C to +80°C

Included in delivery

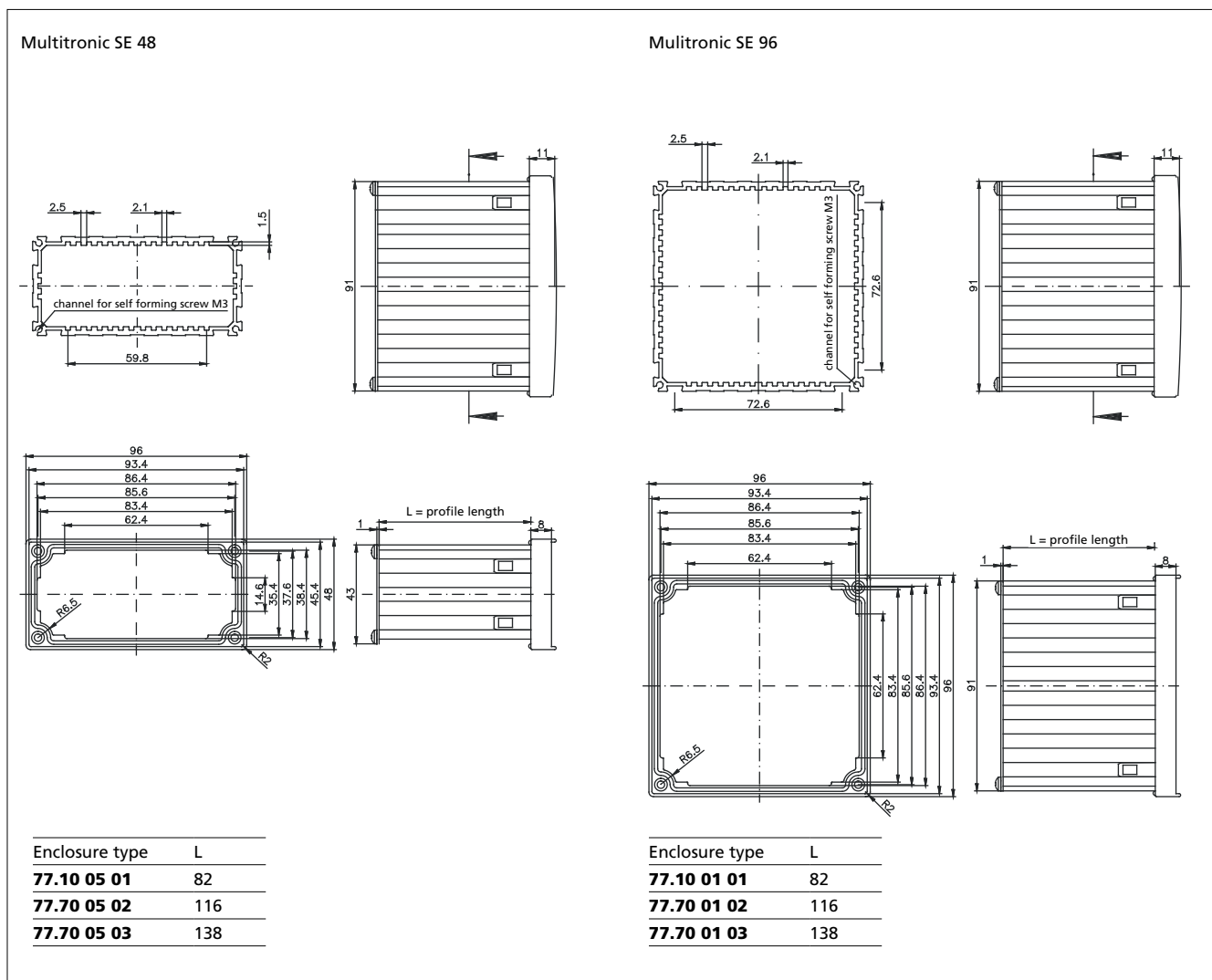
Enclosure with seal (for front plate and for panel mounting) rear panel lid and mounting bracket (2x)

Multitronic SE

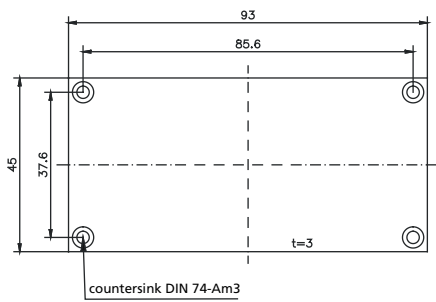
Product range

Type	Order No.	Dimensions W x L x H (mm)	Weight (g)	Front cover frame self adhesive	Front plate	Spare mounting set
MT-SE 48/1	77.70 05 01	96 x 82 x 48	185	77.70 99 03	77.70 99 01	77.70 99 05
MT-SE 48/2	77.70 05 02	96 x 116 x 48	350	77.70 99 03	77.70 99 01	77.70 99 05
MT-SE 48/3	77.70 05 03	96 x 138 x 48	245	77.70 99 03	77.70 99 01	77.70 99 05
MT-SE 48/So	77.70 05 99	special length		77.70 99 03	77.70 99 01	77.70 99 05
MT-SE 96/1	77.70 10 01	96 x 82 x 96	365	77.70 99 04	77.70 99 02	77.70 99 05
MT-SE 96/2	77.70 10 02	96 x 116 x 96	455	77.70 99 04	77.70 99 02	77.70 99 05
MT-SE 96/3	77.70 10 03	96 x 138 x 96	505	77.70 99 04	77.70 99 02	77.70 99 05
MT-SE 96/So	77.70 10 99	special length		77.70 99 04	77.70 99 02	77.70 99 05

Dimensions

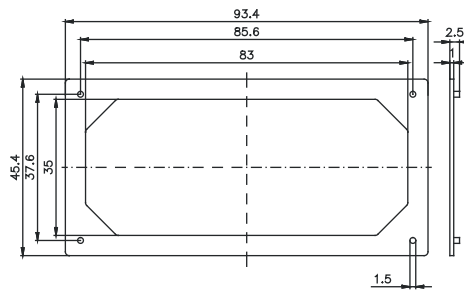


Accessories



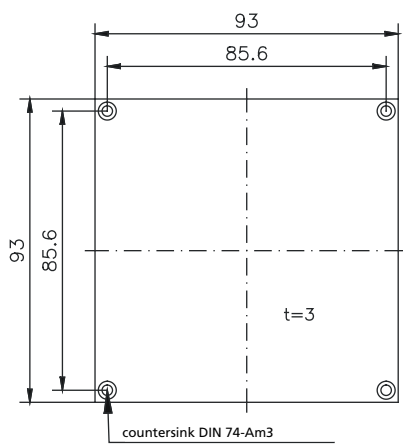
Front plate for Multitronic SE 48

Order No. **77.70 99 01**



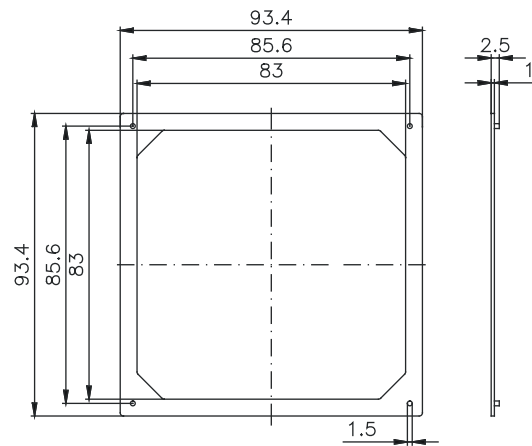
Front frame for Multitronic SE 48

Order No. **77.70 99 03**



Front plate for Multitronic SE 96

Order No. **77.70 99 02**



Front frame for Multitronic SE 96

Order No. **77.70 99 04**

Applications SE 200





- Aluminium electronic enclosure for MCR technology
- Variable width and height version using profile technology
- Constant profile depths 85 and 175 mm

Included in delivery

Enclosure with screwed rear panel; front plate and fixing elements please order separately

Technical data

Material:

DIN EN 573 EN AW-AlMgSi

Ingress protection:

Front side: IP 65 to EN 60529

Mounting side: IP 40 to EN 60529

Painting:

Powder coating

Colour:

RAL 9005, jet black

Temperature range:

-40°C to +80°C

SE 200

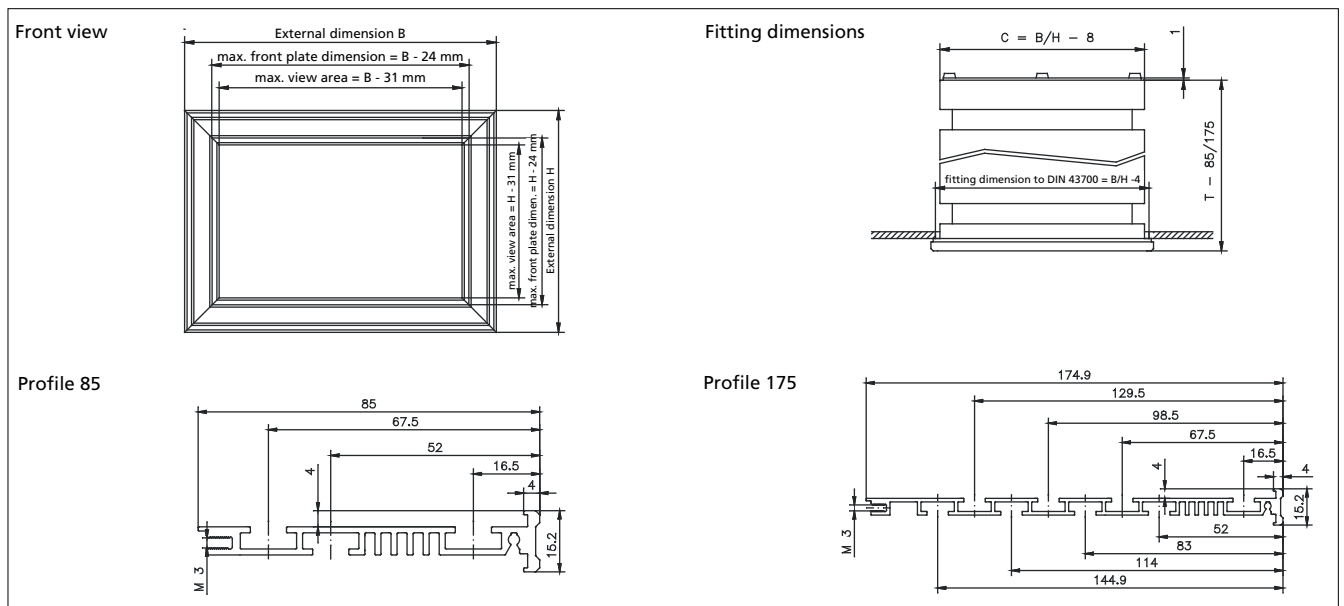
Product range

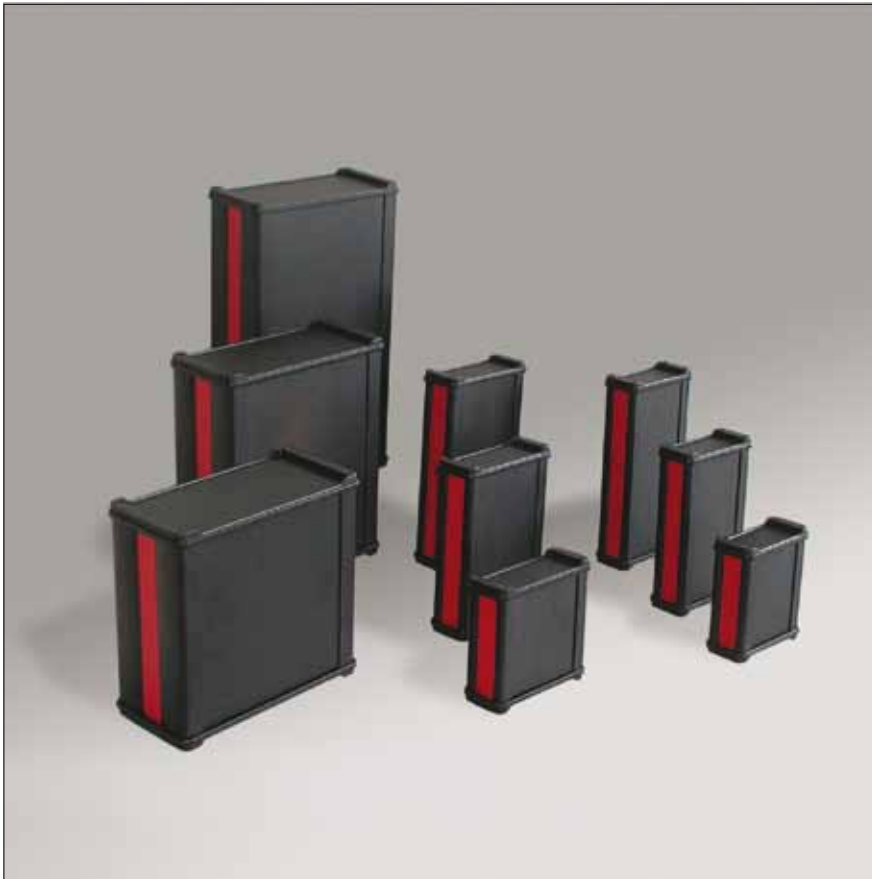
Type	Order No.	External dimensions (mm) W x H x D	Front plate	PCB holder
SE 200-1	65.10 07 09	96 x 72 x 85	65.00 00 01	65.00 04 09
SE 200-2	65.10 07 18	96 x 72 x 175	65.00 00 01	65.00 04 18
SE 200-3	65.10 10 09	96 x 96 x 85	65.00 00 03	65.00 04 09
SE 200-4	65.10 10 18	96 x 96 x 175	65.00 00 03	65.00 04 18
SE 200-5	65.10 14 09	96 x 144 x 85	65.00 00 05	65.00 04 09
SE 200-6	65.10 14 18	96 x 144 x 175	65.00 00 05	65.00 04 18
SE 200-7	65.10 19 09	96 x 192 x 85	65.00 00 07	65.00 04 09
SE 200-8	65.10 19 18	96 x 192 x 175	65.00 00 07	65.00 04 18
SE 200-9	65.10 24 09	96 x 240 x 85	65.00 00 09	65.00 04 09
SE 200-10	65.10 24 18	96 x 240 x 175	65.00 00 09	65.00 04 18
SE 200-11	65.14 14 09	144 x 144 x 85	65.00 00 11	65.00 04 09
SE 200-12	65.14 14 18	144 x 144 x 175	65.00 00 11	65.00 04 18
SE 200-13	65.14 19 09	144 x 192 x 85	65.00 00 13	65.00 04 09
SE 200-14	65.14 19 18	144 x 192 x 175	65.00 00 13	65.00 04 18
SE 200-15	65.14 24 09	144 x 240 x 85	65.00 00 15	65.00 04 09
SE 200-16	65.14 24 18	144 x 240 x 175	65.00 00 15	65.00 04 18
SE 200-17	65.14 29 09	144 x 288 x 85	65.00 00 17	65.00 04 09
SE 200-18	65.14 29 18	144 x 288 x 175	65.00 00 17	65.00 04 18
SE 200-19	65.19 19 09	192 x 192 x 85	65.00 00 19	65.00 04 09
SE 200-20	65.19 19 18	192 x 192 x 175	65.00 00 19	65.00 04 18
SE 200-21	65.19 24 09	192 x 240 x 85	65.00 00 21	65.00 04 09
SE 200-22	65.19 24 18	192 x 240 x 175	65.00 00 21	65.00 04 18
SE 200-23	65.19 29 09	192 x 288 x 85	65.00 00 23	65.00 04 09
SE 200-24	65.19 29 18	192 x 288 x 175	65.00 00 23	65.00 04 18
SE 200-25	65.19 34 09	192 x 336 x 85	65.00 00 25	65.00 04 09
SE 200-26	65.19 34 18	192 x 336 x 175	65.00 00 25	65.00 04 18
Special size	65.99 00 00		65.00 00 99	

Zubehör

External fastening set for panel mounting (4 pcs.)	65.00 01 00
Fastening clamp set for front plate (10 pcs.)	65.00 02 00
PCB holder 60 mm long (2 pcs.)	65.00 04 09
PCB holder 140 mm long (2 pcs.)	65.00 04 18
Fastening set for front plate (85 mm)	65.00 05 09
Fastening set for front plate (200 mm)	65.00 05 18

Dimensions





- Aluminium profile enclosure system in 5 dimensions for data, PC and MCR technology
- External screw channels guarantee internal area without splinter
- Integrated guide grooves for PCB's
- External system groove (except NoVoTronic 200)
- Variable length by profile system

Technical data

Material:

Enclosure profile: DIN EN 573 EN AW-AlMgSi

Enclosure lid: DIN EN 1706 EN AC-AISI 12 (Fe)

Ingress protection:

IP 65 to EN 60529

Painting:

Powder coating

Colour:

Enclosure body and enclosure lid:
RAL 9005, jet black

Multi-function profile:
RAL 3003, ruby red

EMC:

Optional EMC version

Temperature range:

-40°C to +90°C

Transparent cover: -40°C to +60°C

Included in delivery

Enclosure with 2 Aluminium diecast lids
and 2 multi-function profiles, not screwed

NoVoTronic

Product range

Type	Order No. Standard	Order No. EMC version	Weight (g)	External enclosure dimensions WxHxD (mm)	Internal enclosure dimensions BxHxT (mm)
NoVoTronic 80					
NoVo-Tronic 80-100	07.50 10 10	07.51 10 10	480	106 x 49 x 120	80 x 36 x 100
NoVo-Tronic 80-160	07.50 10 11	07.51 10 11	660	106 x 49 x 180	80 x 36 x 160
NoVo-Tronic 80-200	07.50 10 12	07.51 10 12	780	106 x 49 x 220	80 x 36 x 200
NoVo-Tronic 80-SL	07.50 10 99	07.51 10 99		106 x 49 x SL	80 x 36 x SL
NoVoTronic 100					
NoVo-Tronic 100-100	07.50 20 10	07.51 20 10	550	126 x 49 x 120	100 x 36 x 100
NoVo-Tronic 100-160	07.50 20 11	07.51 20 11	750	126 x 49 x 180	100 x 36 x 160
NoVo-Tronic 100-200	07.50 20 12	07.51 20 12	880	126 x 49 x 220	100 x 36 x 200
NoVo-Tronic 100-SL	07.50 20 99	07.51 20 99		126 x 49 x SL	100 x 36 x SL
NoVoTronic 130					
NoVo-Tronic 130-130	07.50 25 10	07.51 25 10	880	157 x 69 x 150	130 x 57 x 130
NoVo-Tronic 130-160	07.50 25 11	07.51 25 11	1020	157 x 69 x 180	130 x 57 x 160
NoVo-Tronic 130-200	07.50 25 12	07.51 25 12	1200	157 x 69 x 220	130 x 57 x 200
NoVo-Tronic 130-SL	07.50 25 99	07.51 25 99		157 x 69 x SL	130 x 57 x SL
NoVoTronic 160					
NoVo-Tronic 160-160	07.50 30 10	07.51 30 10	1500	190 x 90 x 180	160 x 76 x 160
NoVo-Tronic 160-200	07.50 30 11	07.51 30 11	1800	190 x 90 x 220	160 x 76 x 200
NoVo-Tronic 160-300	07.50 30 12	07.51 30 12	2500	190 x 90 x 320	160 x 76 x 300
NoVo-Tronic 160-SL	07.50 30 99	07.51 30 99		190 x 90 x SL	160 x 76 x SL
NoVoTronic 200					
NoVo-Tronic 200-220	07.50 40 10	07.51 40 10	2500	233 x 121 x 240	200 x 105 x 220
NoVo-Tronic 200-280	07.50 40 11	07.51 40 11	3060	233 x 121 x 300	200 x 105 x 280
NoVo-Tronic 200-330	07.50 40 12	07.51 40 12	3450	233 x 121 x 350	200 x 105 x 330
NoVo-Tronic 200-SL	07.50 40 99	07.51 40 99		233 x 121 x SL	200 x 105 x SL

SL = Special length

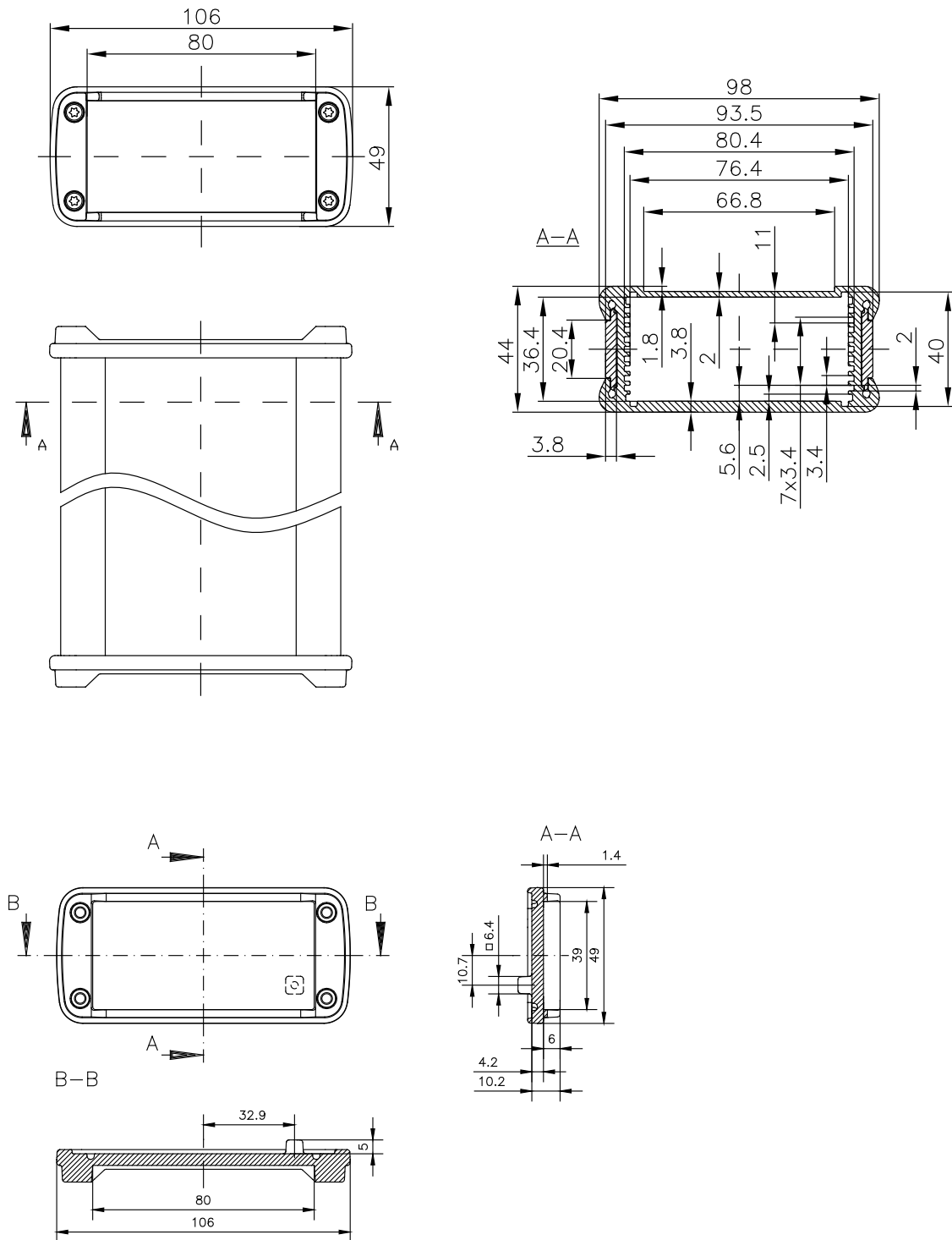
Accessories

	Order No.	NoVoTronic 80	NoVoTronic 100	NoVoTronic 130	NoVoTronic 160	NoVoTronic 200
Wall profile 80/100-100	07.50 90 11	X	X			
Wall profile 80/100-160	07.50 90 12	X	X			
Wall profile 80/100-200	07.50 90 13	X	X			
Wall profile 80/100-SL	07.50 90 99	X	X			
Wall profile 130/160-130	07.50 91 11			X	X	
Wall profile 130/160-160	07.50 91 12			X	X	
Wall profile 130/160-200	07.50 91 13			X	X	
Wall profile 130/160-300	07.50 91 14			X	X	
Wall profile 130/160-SL	07.50 91 99			X	X	
Lid wall holder 80/100	07.50 90 02	X	X			
NoVo wall holder P80	07.50 90 03	X				
NoVo wall holder P100	07.50 90 04		X			
NoVo wall holder P130	07.50 90 15			X		
NoVo wall holder P160	07.50 90 05				X	
Foot / connection element 80	07.50 90 06	X				
Foot / connection element 100	07.50 90 07		X			
Foot / connection element 130	07.50 90 14			X		
Foot / connection element 160	07.50 90 08				X	
Battery insert 9V Block	83.90 00 03	X	X	X	X	X
Battery insert 4xAA cells	83.90 00 06	X	X	X	X	X
PCB profile 200-220	07.50 92 11					X
PCB profile 200-280	07.50 92 12					X
PCB profile 200-330	07.50 92 13					X
PCB profile 200-SL	07.50 92 99					X
PCB profile adjustable 80/100	07.50 92 14	X	X			
PCB profile adjustable 130	07.50 92 15			X		
PCB profile adjustable 160	07.50 92 16				X	
Transparent cover 160	07.50 90 10				X	

SL = Special length

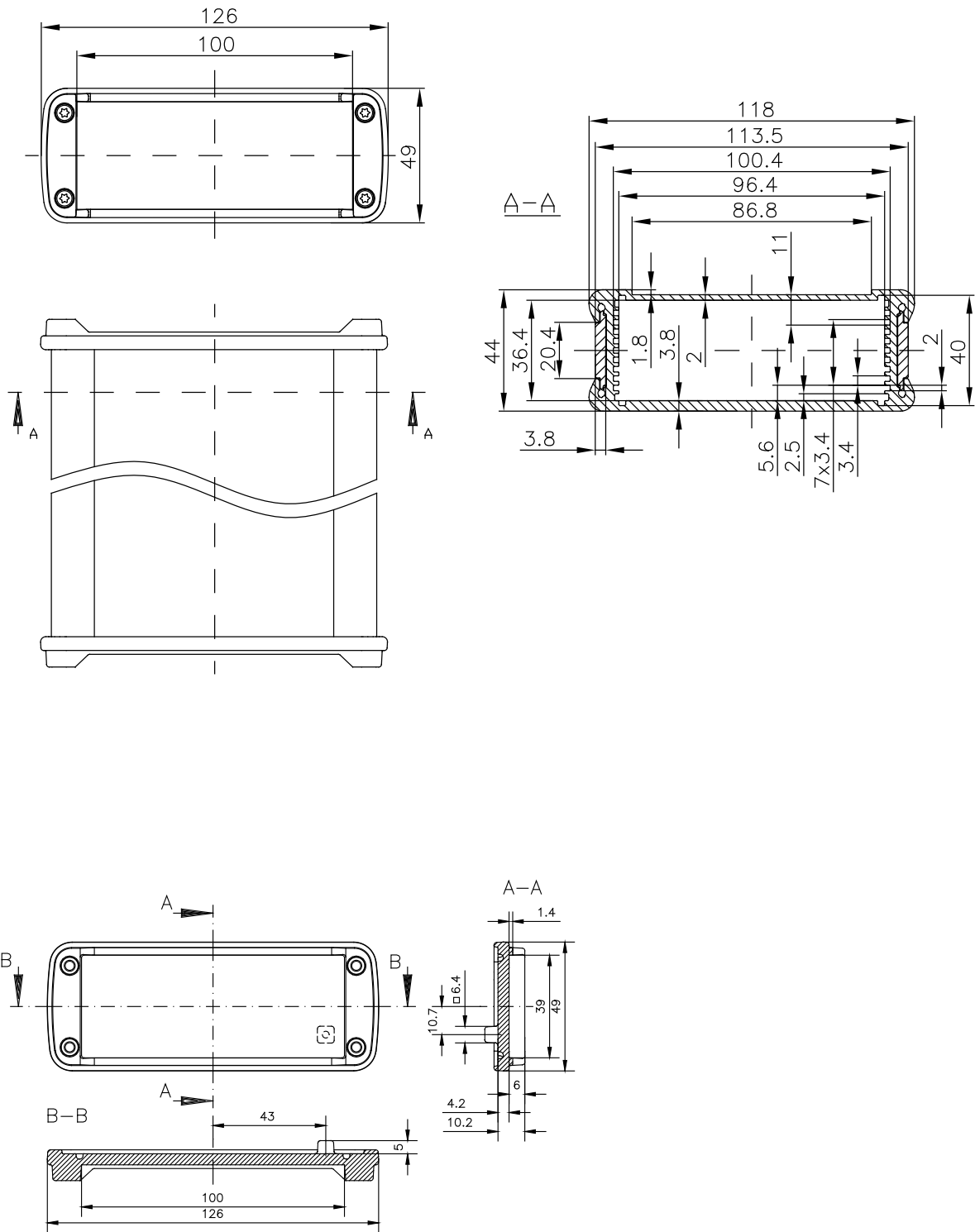
Dimensions

NoVoTronic 80



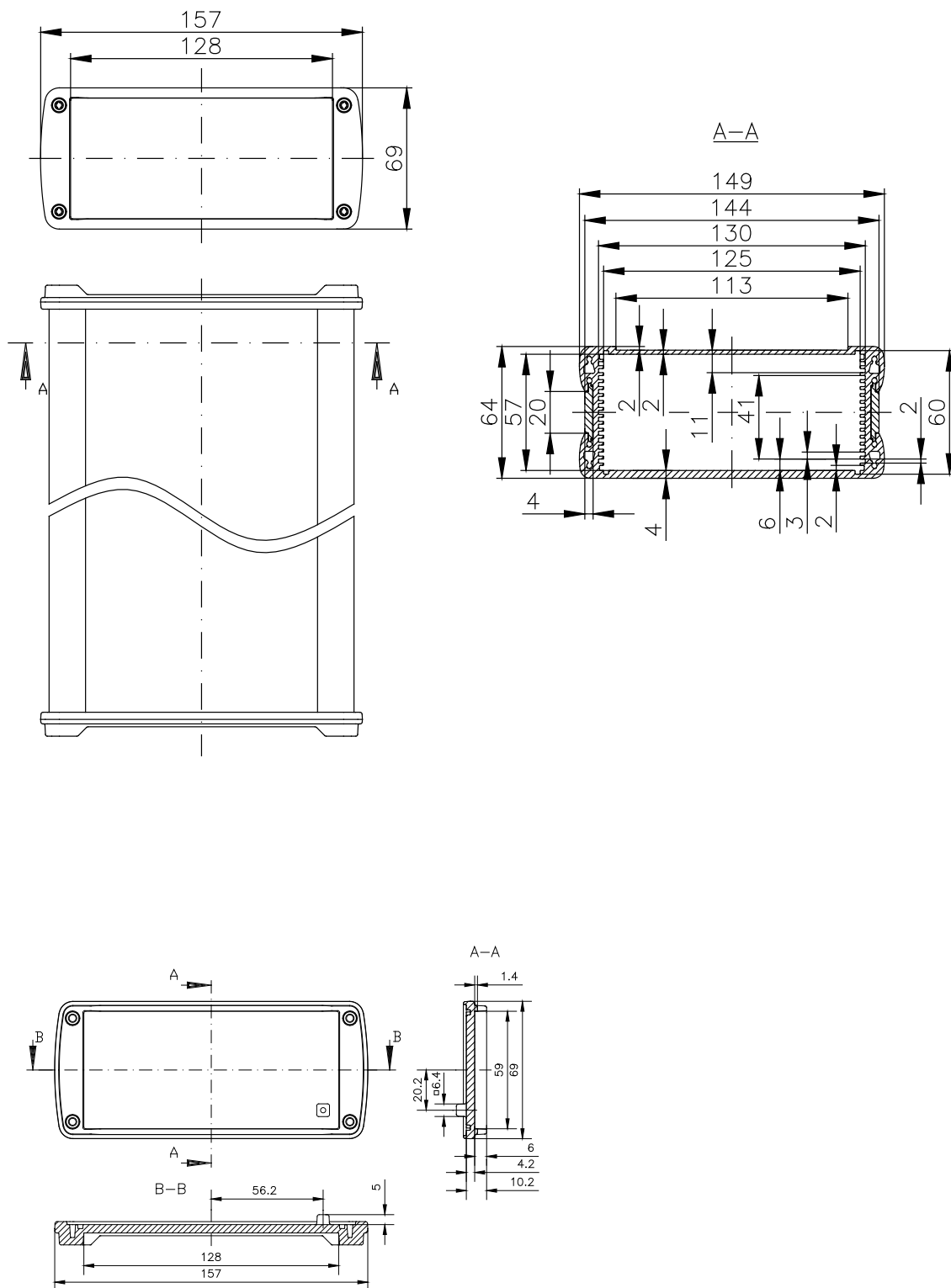
Dimensions

NoVoTronic 100



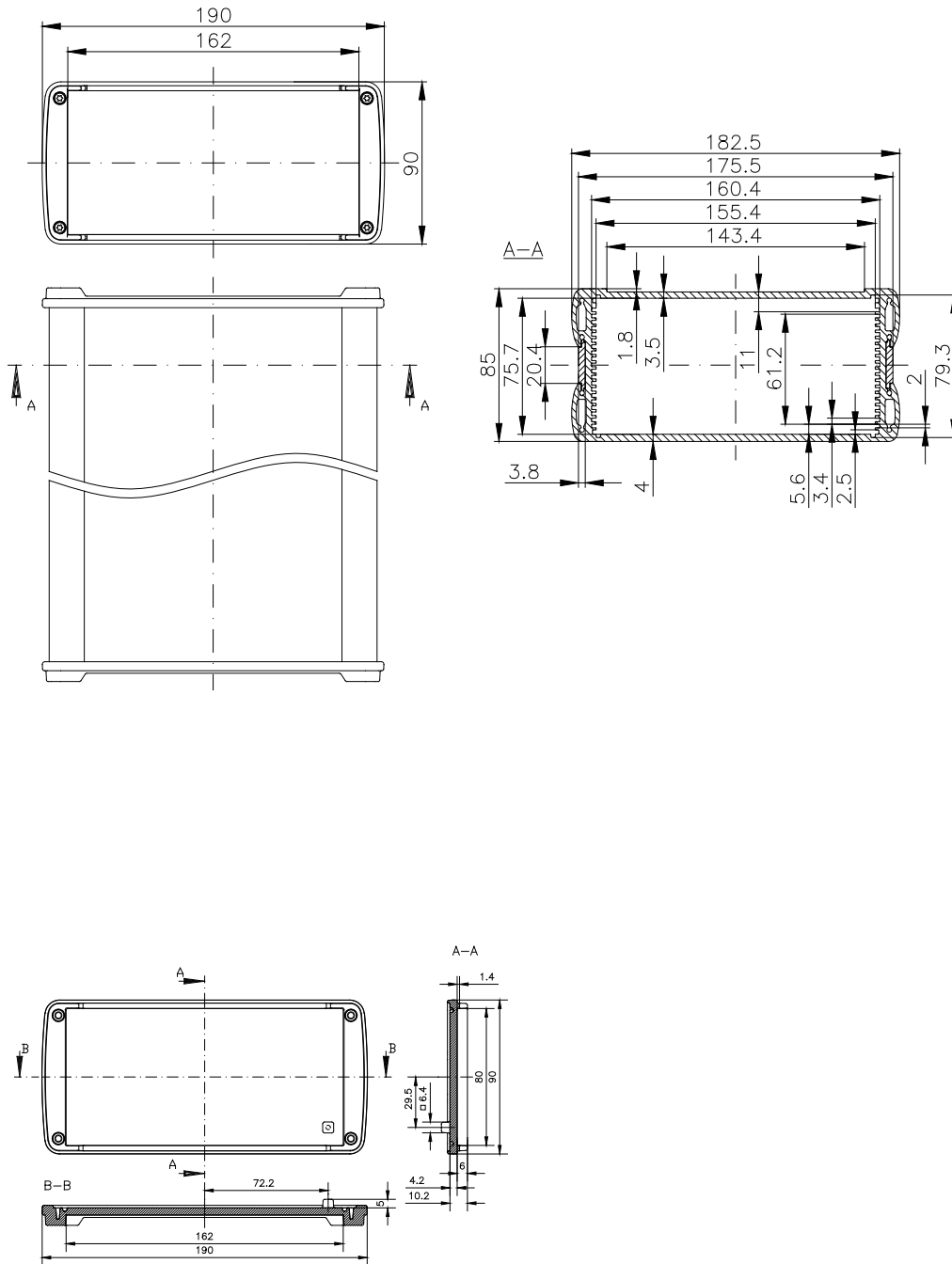
Dimensions

NoVoTronic 130



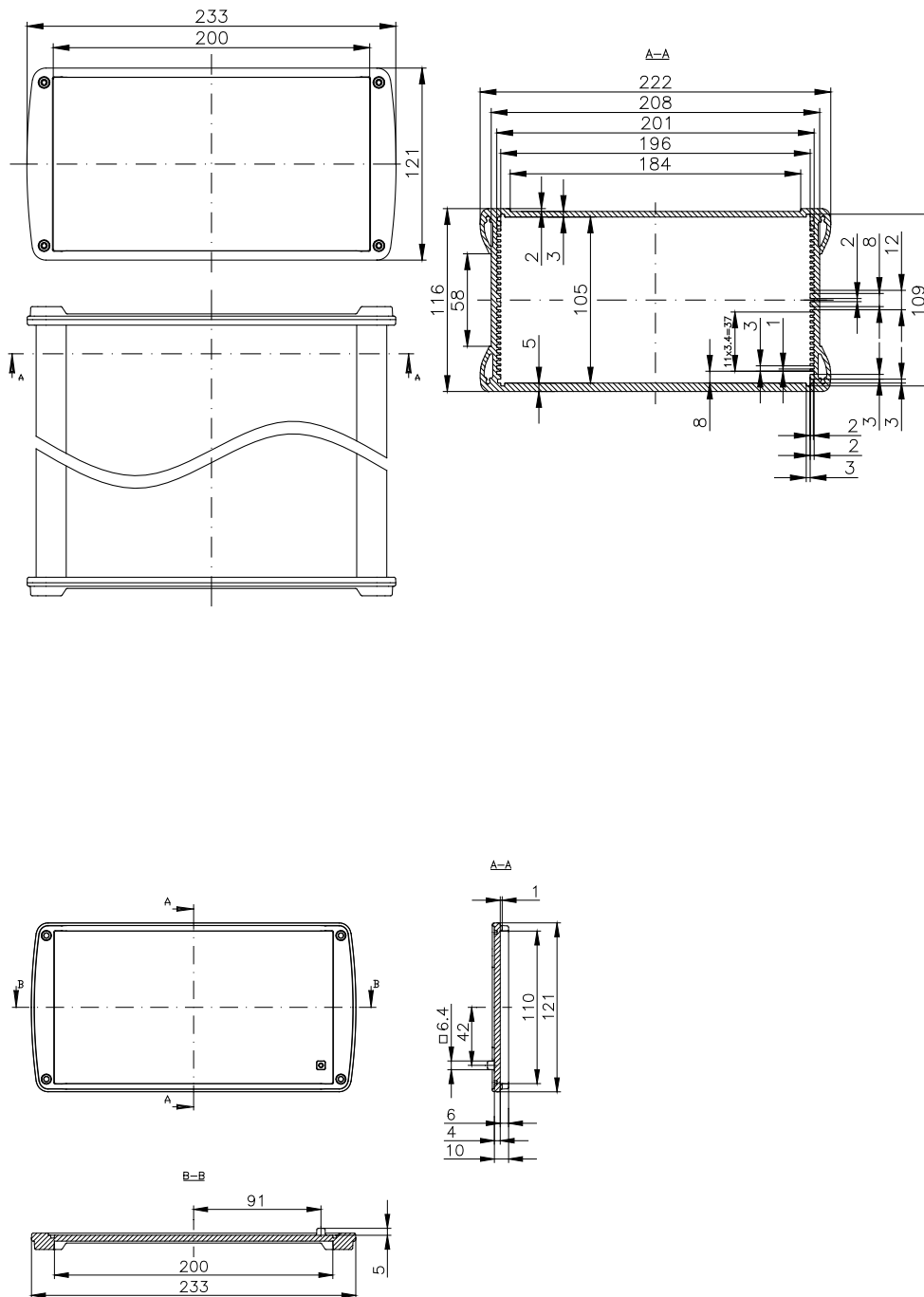
Dimensions

NoVoTronic 160



Dimensions

NoVoTronic 200

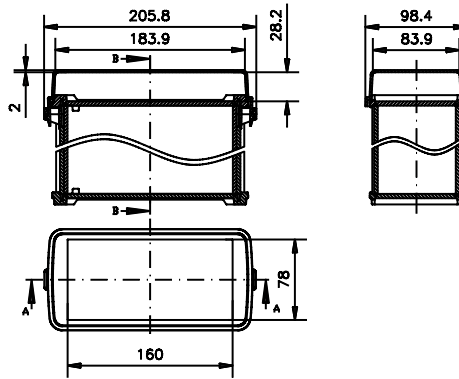


Accessories



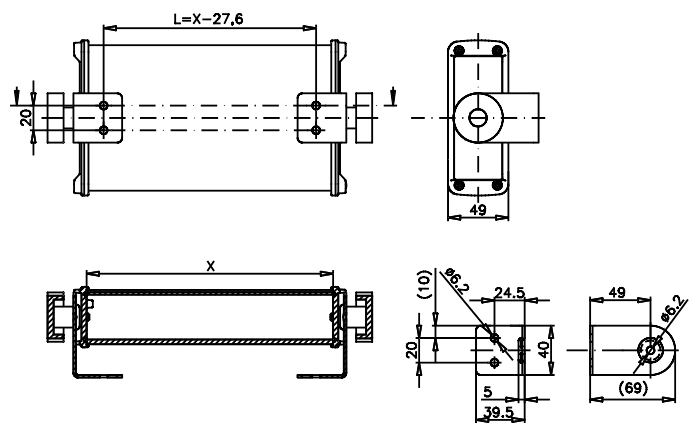
Transparent cover 160
for protection of electro-mechanical components in enclosure lid; ingress protection IP 40

Order No. **07.50 90 10**



Lid wall holder 80/100 (2 pieces)
to screw onto lid for swivelling wall fixing.
Swivel range with mounting on straight area and fastening at middle:
NoVoTronic 80 $\pm 40^\circ$
NoVoTronic 100 $\pm 30^\circ$

Order No. **07.50 90 02**



X = enclosure length

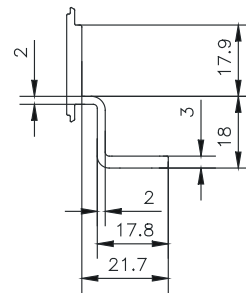
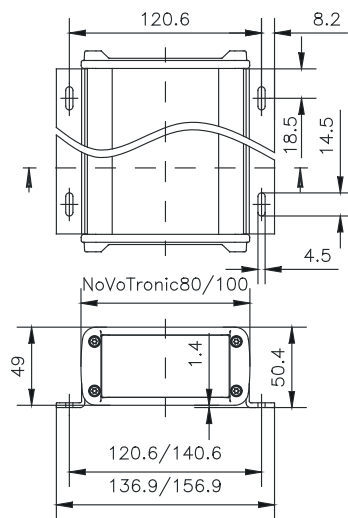
Accessories



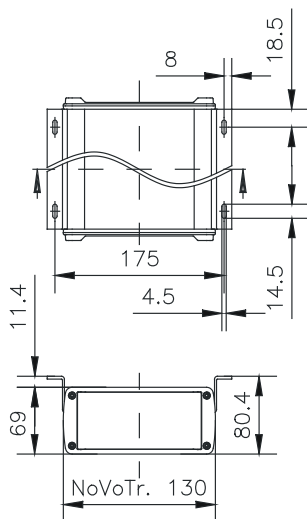
Wall profile (2 pieces)
to insert in system groove for wall fixing

Order No. see page 22

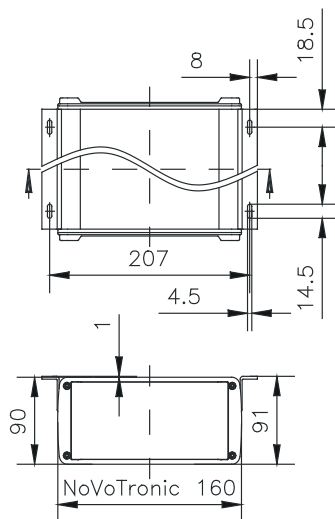
NoVoTronic 80 / 100



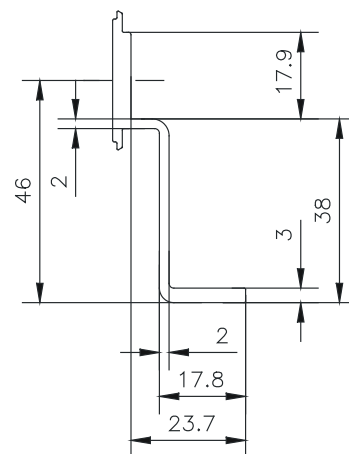
NoVoTronic 130



NoVoTronic 160



Side view NoVoTronic 130, 160

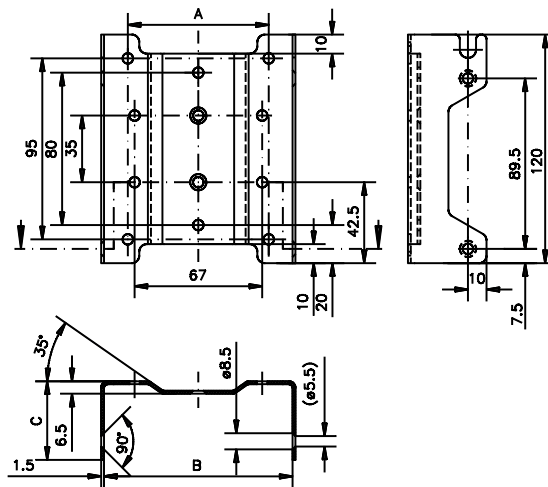


Accessories



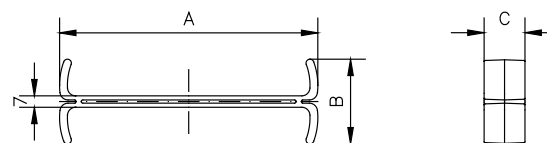
NoVo-Wall holder
for fixing and connection to command system or walls

Order No.	For type	Dimensions		
		A	B	C
07.50 90 03	NoVoTronic 80	74,0	99,0	41,2
07.50 90 04	NoVoTronic 100	90,0	119,0	41,2
07.50 90 15	NoVoTronic 130	116,5	150,0	51,2
07.50 90 05	NoVoTronic 160	150,0	183,5	61,5



Foot / connection element (1 piece)
for stacking or mechanical connection of enclosures

Order No.	For type	Dimensions		
		A	B	C
07.50 90 06	NoVoTronic 80	107,0	33,5	20,0
07.50 90 07	NoVoTronic 100	127,0	33,5	20,0
07.50 90 14	NoVoTronic 130	158,0	51,8	25,0
07.50 90 08	NoVoTronic 160	189,4	64,4	25,0

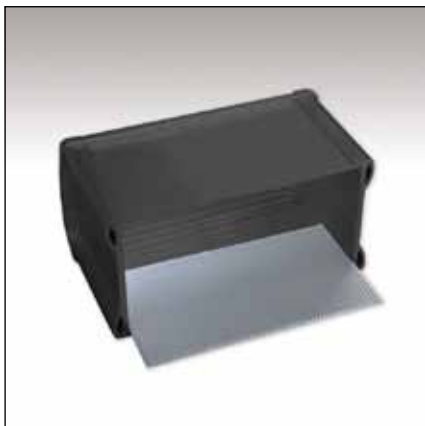
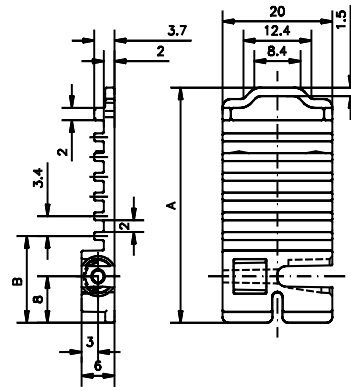


Accessories



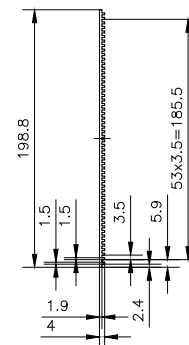
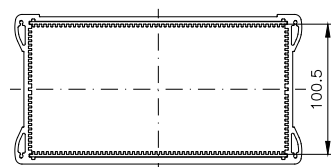
PCB profile adjustable for NoVoTronic 80/100

Order No.	Type	Dimensions	
		A	B
07.50 92 14	80/100	40,5	14,9
07.50 92 15	130	60,9	14,9
07.50 92 16	160	79,7	18,9



PCB profile for NoVoTronic 200

Order No.	For type
07.50 92 11	PCB profile 200-220
07.50 92 12	PCB profile 200-280
07.50 92 13	PCB profile 200-330
07.50 92 99	PCB profile SL



Accessories

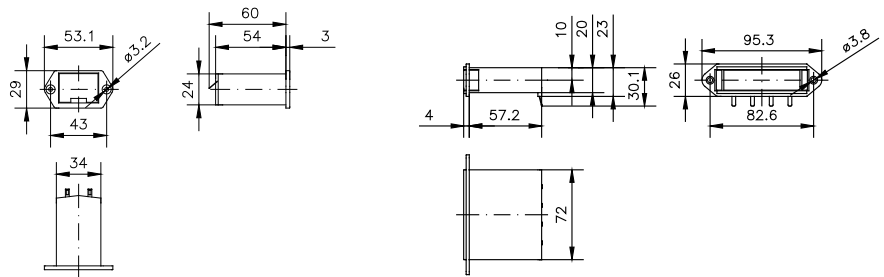


Battery insert

Order No.

83.90 00 03 for 9V Block

83.90 00 06 for 4 x AA cells





- Variable possibility to combine connection compartment and profile
- 2 enclosure sizes 28HP and 42HP
- Rack for 19" inserts (height 3RU)
- Optional with transparent cover
- Variable length by profile technic

Technical data

Material:

Enclosure profile: DIN EN 573 EN AW-AlMgSi

Connection compartment:

DIN EN 1706 EN AC-AISI 12 (Fe)

Ingress protection:

IP 65 to EN 60529

Outdoor application on request

Painting:

Powder coating

Colour:

RAL 7043, traffic grey B

EMC:

Optional EMC version

Temperature range:

Seal: -40°C to +90°C

Transparent cover: -40°C to +60°C

Included in delivery

Enclosure system - depending on version either with connection compartment, swivel intermediate frame, profile and screwed lid.

NoVoTronic 19

Product range

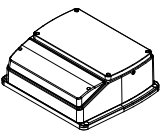
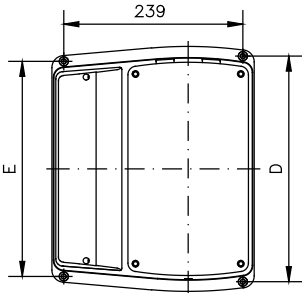
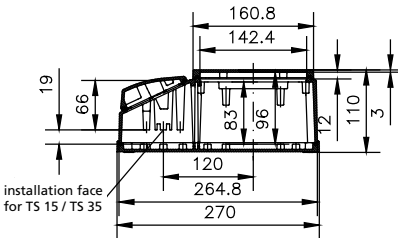
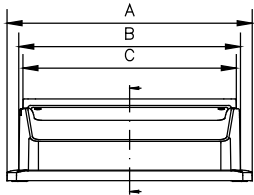
Order No.	Order No. EMC	Dimensions (mm) B x H x T	Weight (g)	
Connecting compartment				
07.60 28 01	07.61 28 01	256 x 270 x 110	2900	connection compartment, screwed lid
07.60 28 02	07.61 28 02	256 x 270 x 118	3000	connection compartment, screwed front plate frame
07.60 28 03	07.61 28 03	256 x 270 x 139	3000	connection compartment, screwed front plate frame with transparent cover
07.60 28 04	07.61 28 04	256 x 270 x 118	3000	connection compartment, hinged front plate frame
07.60 28 05	07.61 28 05	256 x 270 x 139	3000	connection compartment, hinged front plate frame with transparent cover
07.60 42 01	07.61 42 01	327 x 270 x 110	3300	connection compartment, screwed lid
07.60 42 02	07.61 42 02	327 x 270 x 118	3300	connection compartment, screwed front plate frame
07.60 42 03	07.61 42 03	327 x 270 x 139	3300	connection compartment, screwed front plate frame with transparent cover
07.60 42 04	07.61 42 04	327 x 270 x 118	3300	connection compartment, hinged front plate frame
07.60 42 05	07.61 42 05	327 x 270 x 139	3300	connection compartment, hinged front plate frame with transparent cover
Connection compartment with profile and intermediate frame				
07.60 28 11	07.61 28 11	256 x 270 x 297	4600	connection compartment, swivel intermediate frame, profile and screwed lid
07.60 28 12	07.61 28 12	256 x 270 x 305	4600	connection compartment, swivel intermediate frame, profile and front plate frame
07.60 28 15	07.61 28 15	256 x 270 x 326	4600	connection compartment, swivel intermediate frame, profile and front plate frame with transparent cover
07.60 42 11	07.61 42 11	327 x 270 x 297	5300	connection compartment, swivel intermediate frame, profile and screwed lid
07.60 42 12	07.61 42 12	327 x 270 x 305	5300	connection compartment, swivel intermediate frame, profile and front plate frame
07.60 42 15	07.61 42 15	327 x 270 x 326	5300	connection compartment, swivel intermediate frame, profile and front plate frame with transparent cover
Profile				
07.60 28 21	07.61 28 21	213,7 x 160,8 x 231	2600	profile and screwed lid
07.60 28 22	07.61 28 22	214,3 x 161,4 x 239	2600	lid, profile and front plate frame
07.60 28 25	07.61 28 25	214,3 x 161,4 x 260	2600	lid, profile and front plate frame with transparent cover
07.60 42 21	07.61 42 21	248,8 x 160,8 x 231	2900	profile and screwed lid
07.60 42 22	07.61 42 22	285,4 x 161,4 x 239	2900	lid, profile and front plate frame
07.60 42 25	07.61 42 25	285,4 x 161,4 x 260	2900	lid, profile and front plate frame with transparent cover

Accessories

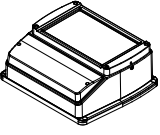
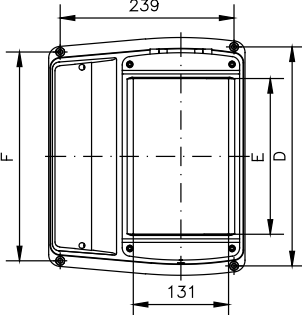
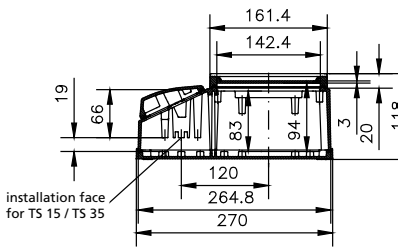
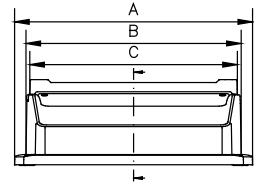
07.60 28 81	19" mounting frame for 28 TE
07.60 42 81	19" mounting frame for 42 TE
07.60 00 01	Transparent cover with cylinder lock 28 TE
07.60 00 02	Special lock with socket wrench for connection compartment (mounted)
07.60 00 03	External brackets for wall mounting for enclosure without connection compartment (set = 2 pcs.)
07.60 00 04	Spare latch for connection compartment lid (plastic)
07.60 00 05	Transparent cover with cylinder lock 42 HP
07.60 28 85	Partition wall (28 HP), detachable for separating connection compartment (2 areas)
07.60 42 85	Partition wall (42 HP), detachable for separating connection compartment (2 areas)
07.00 00 10	PCB guide rail fixed (set = 10 pcs.)
07.00 00 11	PCB guide rail variable (set = 10 pcs.)
07.28 00 30	Mounting plate for connection compartment (28 HP version)
07.42 00 30	Mounting plate for connection compartment (42 HP version)
10.07 00 19	Table feet (set, self adhesive, black)
07.70 00 81	Mounting feet (2 pcs.) grey
07.60 28 30	Aluminium front plate 28 HP, for front plate frame
07.60 42 30	Aluminium front plate 42 HP, for front plate frame
07.61 28 30	Aluminium front plate 28 HP for front plate frame EMC
07.61 42 30	Aluminium front plate 42 HP for front plate frame EMC

Dimensions

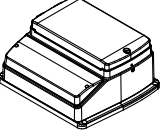
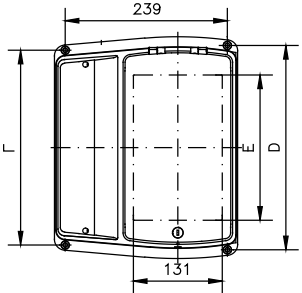
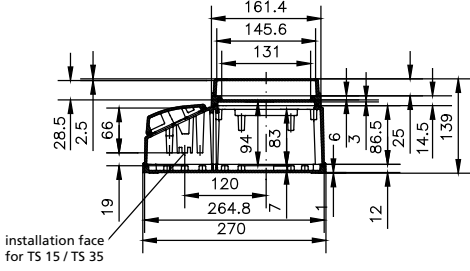
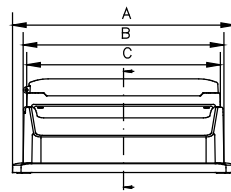
Connection compartment, screwed lid							
Type	Order No.	Order No. EMC	Dimensions				
			A	B	C	D	E
28TE	07.60 28 01	07.61 28 01	256,1	224,8	213,7	229,9	215,8
42TE	07.60 42 01	07.61 42 01	327,2	295,9	284,8	301,0	287,0

Connection compartment, screwed front plate frame								
Type	Order No.	Order No. EMC	Dimensions					
			A	B	C	D	E	F
28TE	07.60 28 02	07.61 28 02	256,1	224,8	214,3	215,9	142,9	229,9
42TE	07.60 42 02	07.61 42 02	327,2	295,9	285,4	301,0	214,0	287,0

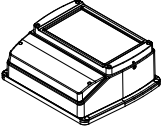
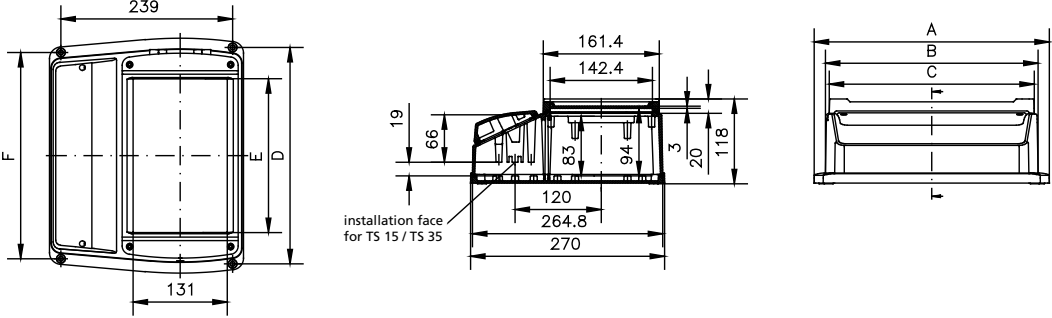
Connection compartment, screwed front plate frame with transparent cover								
Type	Order No.	Order No. EMC	Dimensions					
			A	B	C	D	E	F
28TE	07.60 28 03	07.61 28 03	256,1	224,8	214,3	215,9	142,9	229,9
42TE	07.60 42 03	07.61 42 03	327,2	295,9	285,4	301,0	214,0	287,0

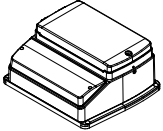
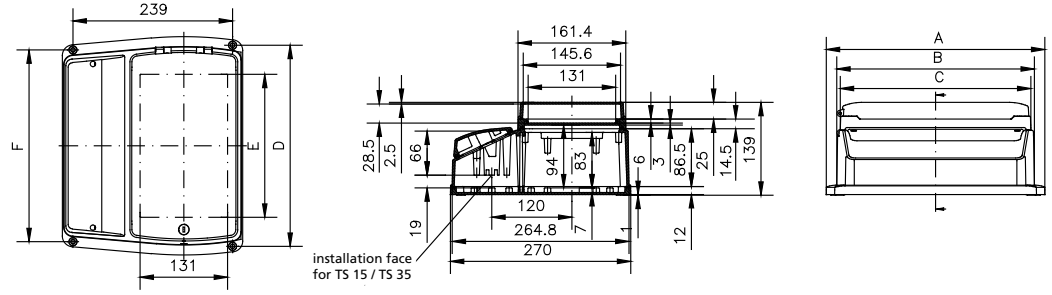
NoVoTronic 19

Dimensions

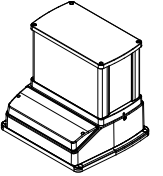
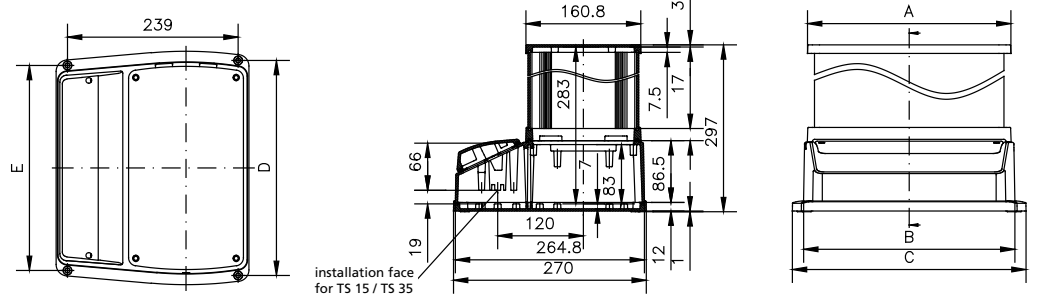
Connection compartment, hinged front plate frame								
Type	Order No.	Order No. EMC	Dimensions					
			A	B	C	D	E	F
28TE	07.60 28 04	07.61 28 04	256,1	224,8	214,3	215,9	142,9	229,9
42TE	07.60 42 04	07.61 42 04	327,2	295,9	285,4	301,0	214,0	287,0

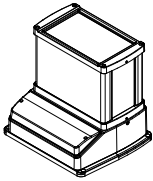
Connection compartment, hinged front plate frame with transparent cover								
Type	Order No.	Order No. EMC	Dimensions					
			A	B	C	D	E	F
28TE	07.60 28 05	07.61 28 05	256,1	224,8	214,3	215,9	142,9	229,9
42TE	07.60 42 05	07.61 42 05	327,2	295,9	285,4	301,0	214,0	287,0

Connection compartment, swivel intermediate frame, profile and screwed lid							
Type	Order No.	Order No. EMC	Dimensions				
			A	B	C	D	E
28TE	07.60 28 11	07.61 28 11	213,7	224,8	256,1	229,9	215,8
42TE	07.60 42 11	07.61 42 11	284,8	295,8	327,2	301,0	287,0

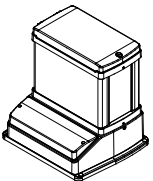
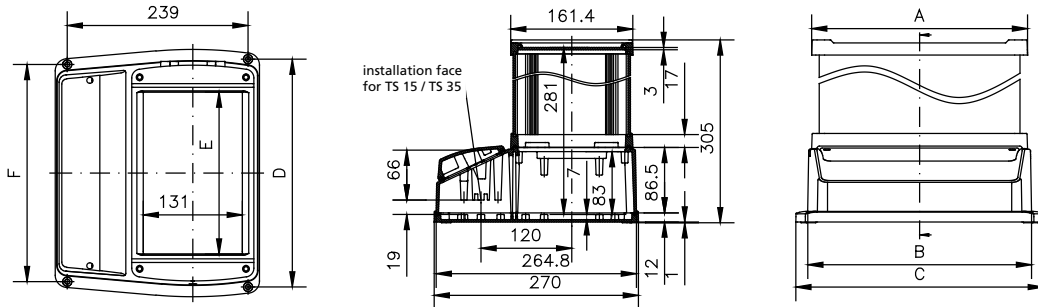



Dimensions



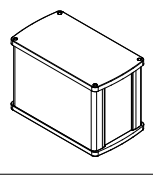
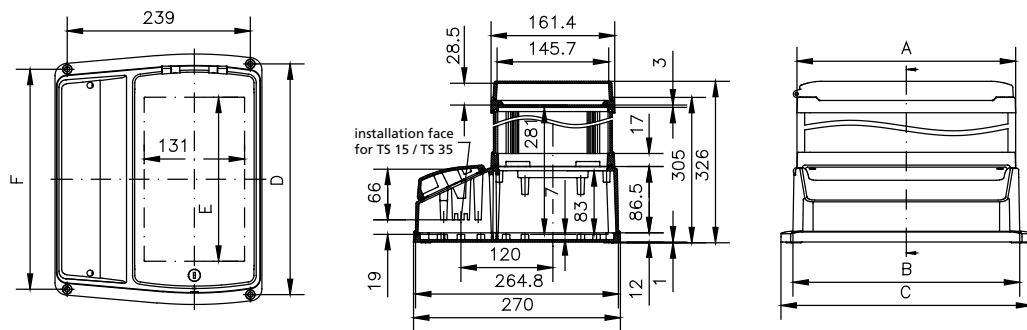
Connection compartment, swivel intermediate frame, profile and front plate frame

Type	Order No.	Order No. EMC	Dimensions					
			A	B	C	D	E	F
28TE	07.60 28 12	07.61 28 12	214,3	224,8	256,1	229,9	142,9	215,8
42TE	07.60 42 12	07.61 42 12	285,4	295,8	327,2	301,0	214,0	287,0



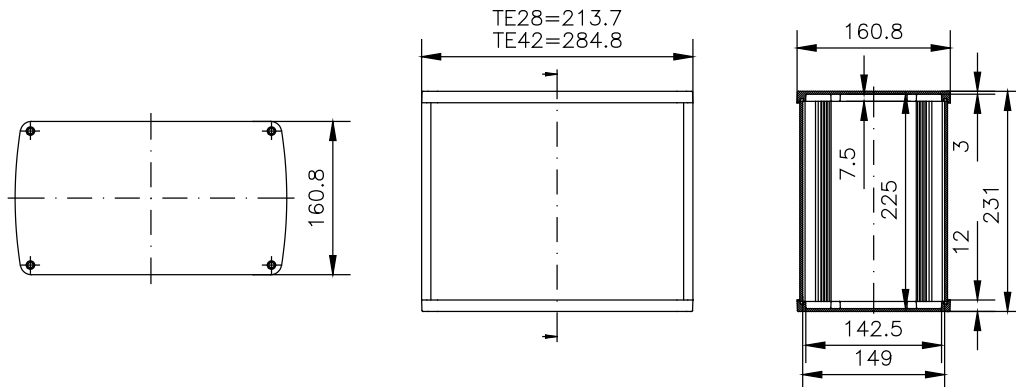
Connection compartment, swivel intermediate frame, profile and front plate frame with transparent cover

Type	Order No.	Order No. EMC	Dimensions					
			A	B	C	D	E	F
28TE	07.60 28 15	07.61 28 15	214,3	224,8	256,1	229,9	142,9	215,8
42TE	07.60 42 15	07.61 42 15	285,4	295,8	327,2	301,0	214,0	287,0



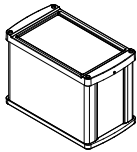
Profile and screwed lid

Type	Order No.	Order No. EMC
28TE	07.60 28 21	07.61 28 21
42TE	07.60 42 21	07.61 42 21



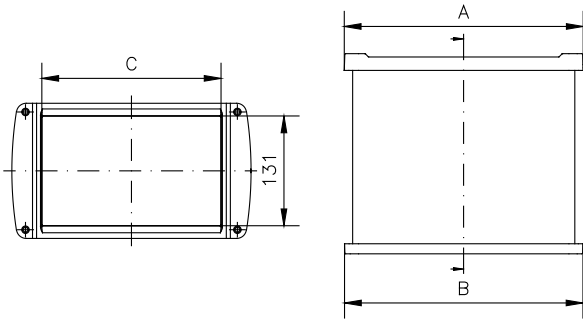
NoVoTronic 19

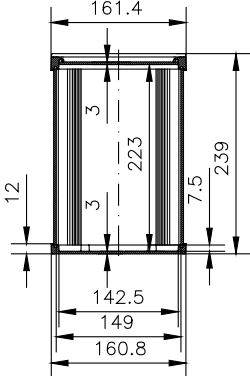
Dimensions



Lid, profile and front plate frame

Type	Order No.	Order No. EMC	Dimensions		
			A	B	C
28TE	07.60 28 22	07.61 28 22	214,3	213,7	142,9
42TE	07.60 42 22	07.61 42 22	285,4	284,8	214,0







Lid, profile and front plate frame with transparent cover

Type	Order No.	Order No. EMC	Dimensions		
			A	B	C
28TE	07.60 28 25	07.61 28 25	214,3	213,7	142,9
42TE	07.60 42 25	07.61 42 25	285,4	284,8	214,0





Accessories



Mounting frame

Type	Order No.
19" - 28 TE	07.60 28 81
19" - 42 TE	07.60 42 81



Transparent cover with cylinder lock

Order No. **07.60 00 01**



Special lock with socket wrench for connection compartment

Order No. **07.60 00 02**



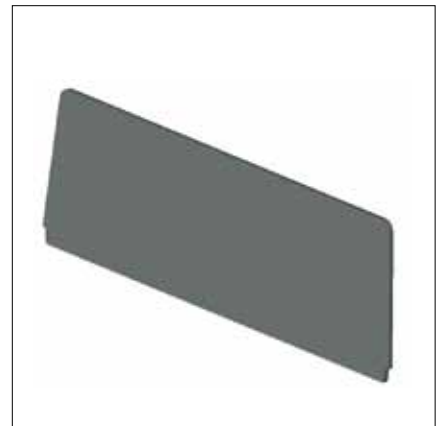
Mounting brackets, set (2 pcs.)

Order No. **07.60 00 03**



Spare latch for connection compartment lid

Order No. **07.60 00 04**



Partition wall for separating connection compartment

Type	Order No.
19" - 28 TE	07.60 28 85
19" - 42 TE	07.60 42 85

NoVoTronic 19

Accessories



PCB's guide rail fixed

Type	Order No.
Fixed (set = 10 pcs.)	07.00 00 10
Variable (set = 10 pcs.)	07.00 00 11



Mounting plate for connection compartment

Type	Order No.
19" - 28 HP	07.28 00 30
19" - 42 HP	07.42 00 30



Foot elements

Type	Order No.
Self adhesive table feet	10.07 00 19
Mounting feet (2 pcs.)	07.70 00 81



Aluminium front plate

Type	Order No.
19" - 28 HP	07.60 28 30
19" - 42 HP	07.60 42 30



- Aluminium electronic enclosure for telecommunication and MCR technology
- Variable length version using profile technology
- Screw-down fins integrated into sides
- Different lid versions depending on enclosure type
- Integrated guide grooves for PCB's

Technical data

Material:

DIN EN 573 EN AW-AlMgSi

Ingress protection:

IP 65 or IP 40 to EN 60529
depending on lid versions

Painting:

Powder coating

Colour:

RAL 9005, jet black

Temperature range:


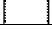
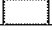

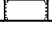
-30°C to +80°C

Included in delivery

Enclosure with two sheet aluminium or cast lids, screwed

Profitronic I

Product range

Type	Order No.	External enclosure dimensions* W x L x H (mm)	Version	Weight (g)	Ingress protection	max. PCB dimensions (mm)
07.01 	07.01 01 17	105 x 175 x 45	2 sheet aluminium lids without seal, standard length = 170 mm	510	IP 40	100 x 170
07.02 	07.02 01 17	105 x 175 x 69	2 sheet aluminium lids without seal, standard length = 170 mm	580	IP 40	100 x 170
07.03 	07.03 12 22 07.03 13 22	196/166 x 239 x 106 196/166 x 232 x 106	2 cast aluminium flat lids with seal, cast aluminium flat lids and mounting rear panel standard length = 220 mm	2420 2240	IP 65 IP 40	100/160 x 220 100/160 x 220
07.10 	07.10 06 18	105 x 198 x 73,5	2 cast aluminium flat lids with seal standard length = 180 mm	770	IP 65	100 x 180
07.11 	07.11 06 18	105 x 200 x 49	2 cast aluminium flat lids with seal standard length = 180 mm	790	IP 65	100 x 180

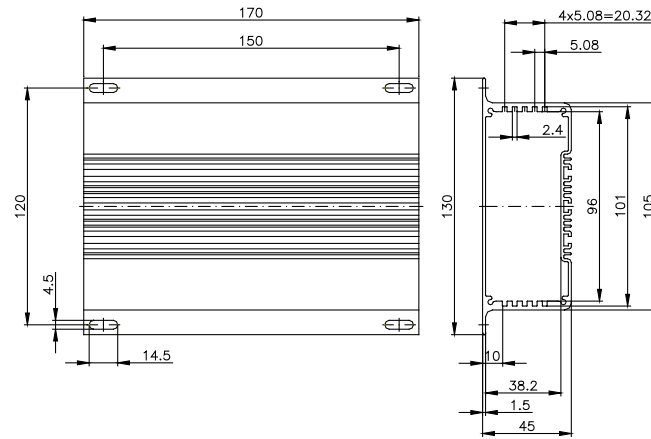
* Dimensions without fixing brackets

EMC version: product group 70.xx xx xx

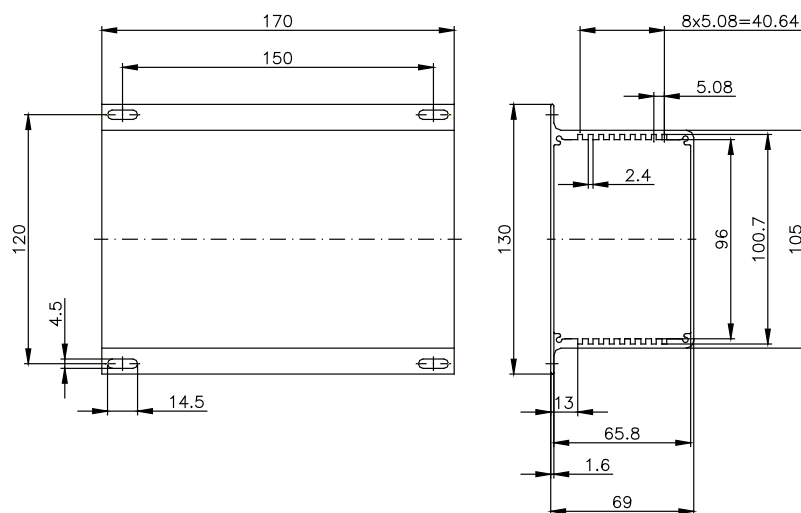
Dimensions

Version IP 40

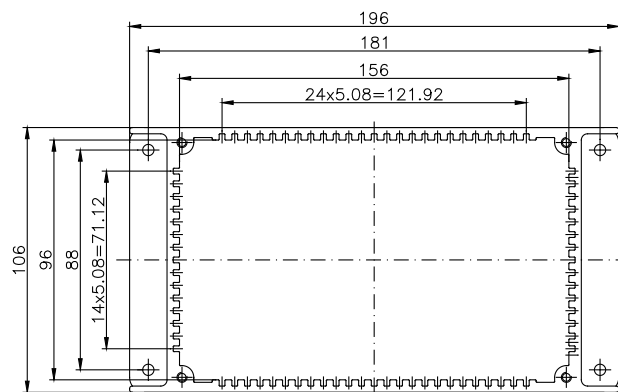
Type 07.01



Type 07.02



Type 07.03 (07.03 13 22)

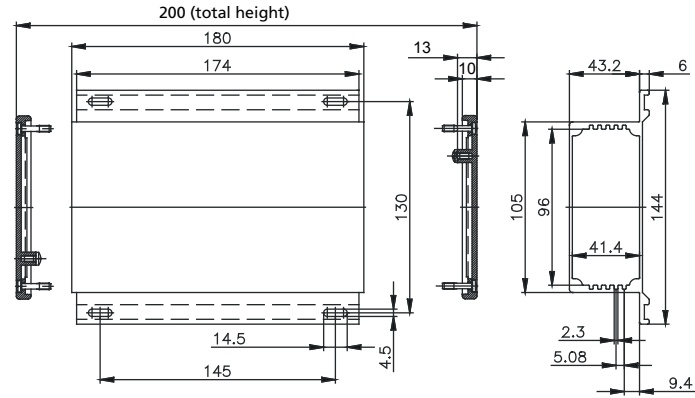


Profitronic I

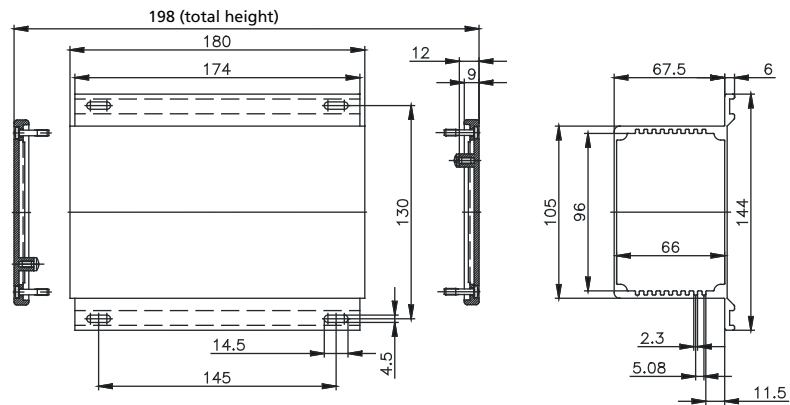
Dimensions

Version IP 65

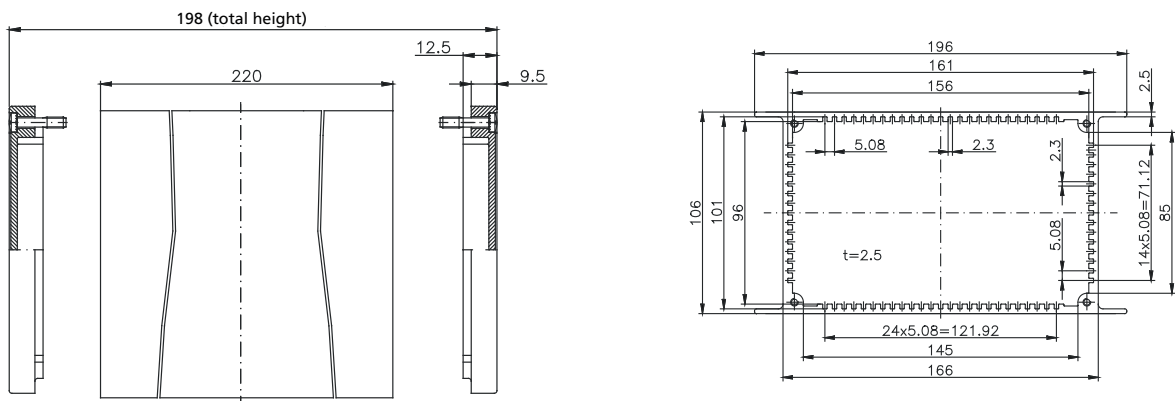
Type 07.11



Type 07.10



Type 07.03 (07.03 12 22)





- Aluminium electronic enclosures for MCR technology and automation engineering
- Variable length version using profile technology
- Enclosure system with different front lid and rear panel versions
- Integrated guide grooves for PCB's

Included in delivery

Enclosure with two sheet aluminium or cast lids, screwed; version with protective collar lid have self-adhesive anodized aluminium front panel is added separate

Technical data

Material:

DIN EN 573 EN AW-AlMgSi

Ingress protection:

IP 65 or IP 40 to EN 60529
depending on lid version

Painting:

Powder coating

Colour:

Enclosure profile: RAL 7035, light grey

Enclosure lid: RAL 7030, stone grey


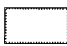
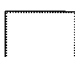

Temperature range:

-40°C to +80°C

Cover -20°C to +60°C

Profitronic I/F, I/A

Produktübersicht

Type	Order No.	External enclosure dimensions* W x L x H (mm)	Version	Ingress protection	max.PCB dimensions (mm)	
	07.05 20 12	105 x 129 x 85	2 sheet aluminium lids without seal	IP 40	80/100 x 125	
	07.05 21 12	105 x 129 x 85	Sheet aluminium lid and sheet aluminium mounting rear panel without seal	IP 40	80/100 x 125	
	07.05 22 12	112 x 141 x 92	2 cast aluminium flat lids with seal	IP 65	80/100 x 125	
	07.05 23 12	112 x 143 x 112	Cast aluminium flat lid and cast aluminium mounting rear panel with seal	IP 65	80/100 x 125	
	07.05 24 12	112 x 175 x 92	2 cast aluminium protective collar lids with seal	IP 65	80/100 x 125	
	07.05 25 12	112 x 158 x 92	1 cast aluminium protective collar lid and 1 cast aluminium flat lid with seal	IP 65	80/100 x 125	
	07.05 26 12	112 x 160 x 112	Cast alum. protective collar lid and cast alum. mounting rear panel with seal	IP 65	80/100 x 125	
	07.06 20 18	165 x 184 x 105	2 sheet aluminium lids without seal	IP 40	100/160 x 180	
	07.06 21 18	165 x 184 x 105	Sheet aluminium lid and sheet aluminium mounting rear panel without seal	IP 40	100/160 x 180	
	07.06 22 18	173 x 196 x 113	2 cast aluminium flat lids with seal	IP 65	100/160 x 180	
	07.06 23 18	173 x 198 x 135	Cast aluminium flat lid and cast aluminium mounting rear panel with seal	IP 65	100/160 x 180	
	07.06 24 18	173 x 230 x 113	2 cast aluminium protective collar lids with seal	IP 65	100/100 x 180	
	07.06 25 18	173 x 213 x 113	1 cast aluminium protective collar lid and 1 cast aluminium flat lid with seal	IP 65	100/160 x 180	
	07.06 26 18	173 x 215 x 135	Cast alum. protective collar lid and cast alum. mounting rear panel with seal	IP 65	100/160 x 180	
	07.06 27 18	173 x 195 x 113	1 cast aluminium front plate lid and 1 cast aluminium flat lid with seal	IP 65	100/160 x 180	
	07.06 28 18	173 x 197 x 135	Cast aluminium front plate lid and cast alum. mounting rear panel with seal	IP 65	100/160 x 180	
	07.06 29 18	180 x 218 x 113	Transparent cover, cast aluminium front plate lid and cast aluminium flat lid	IP 65	100/160 x 180	
	07.06 30 18	180 x 220 x 135	Transparent cover, cast alum. front plate lid and cast alum. mounting rear panel	IP 65	100/160 x 180	
		07.07 20 18	196 x 184 x 167	2 sheet aluminium lids without seal	IP 40	160/189 x 180
		07.07 21 18	196 x 184 x 167	Sheet aluminium lid and sheet aluminium mounting rear panel without seal	IP 40	160/189 x 180
07.07 22 18		203 x 200 x 174	2 cast aluminium flat lids with seal	IP 65	160/189 x 180	
07.07 23 18		203 x 202 x 196	Cast aluminium flat lid and cast aluminium mounting rear panel with seal	IP 65	160/189 x 180	
07.07 24 18		203 x 234 x 175	2 cast aluminium protective collar lids with seal	IP 65	160/189 x 180	
07.07 25 18		203 x 217 x 174	1 cast aluminium protective collar lid and 1 cast aluminium flat lid with seal	IP 65	160/189 x 180	
07.07 26 18		203 x 219 x 196	Cast alum. protective collar lid and cast alum. mounting rear panel with seal	IP 65	160/189 x 180	
07.07 27 18		204 x 197 x 175	1 cast aluminium front plate lid and 1 cast aluminium flat lid with seal	IP 65	160/189 x 180	
07.07 28 18		204 x 199 x 196	Cast alum. front plate lid and cast alum. mounting rear panel with seal	IP 65	160/189 x 180	
07.07 29 18		204 x 219 x 175	Transparent cover, cast aluminium front plate lid and cast aluminium flat lid	IP 65	160/189 x 180	
07.07 30 18		204 x 220 x 196	Transparent cover, cast alum. front plate lid and cast alum. mounting rear panel	IP 65	160/189 x 180	
		07.09 00 15	196 x 238 x 203	Cast aluminium protective collar lid, connection enclosure with cast aluminium lid and cast aluminium mounting rear panel, length of front profile = 145 mm	IP 65	100/160 x 145

* Dimensions without fixing brackets

EMC version: product group 70.xx xx xx

Accessories

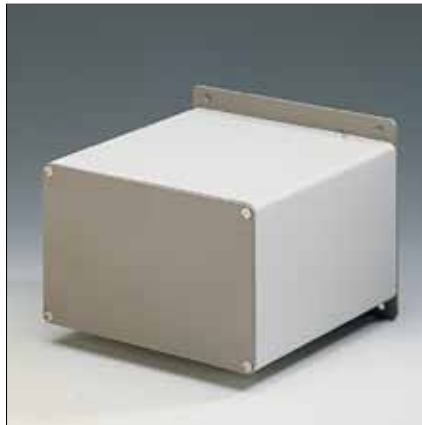
Transparent cover for protective collar lid with knurled lock for 07.06	07.80 80 01
Transparent cover for front plate lid for 07.06	07.80 80 03
Transparent cover for front plate lid for 07.07	07.80 80 04
Table feet (set, self adhesive, black)	10.07 00 19
Mounting feet (2 pcs.), grey	07.70 00 81

Profitronic I/F IP 40



Version with two sheet aluminium lids

Type	Order No.	Weight (g)
07.05	07.05 20 12	850
07.06	07.06 20 18	1600
07.07	07.07 20 18	1750



Version with sheet aluminium lid and cast aluminium mounting rear panel

Type	Order No.	Weight (g)
07.05	07.05 21 12	570
07.06	07.06 21 18	1160
07.07	07.07 21 18	1850

Profitronic I/F IP 65



Version with two cast aluminium flat lids (with seal)

Type	Order No.	Weight (g)
07.05	07.05 22 12	650
07.06	07.06 22 18	1740
07.07	07.07 22 18	2100



Version with cast aluminium front plate lid and cast aluminium flat lid (with seal)

Type	Order No.	Weight (g)
07.06	07.06 27 18	1440
07.07	07.07 27 18	2270



Version with cast aluminium protective collar lid and cast aluminium flat lid (with seal)

Type	Order No.	Weight (g)
07.05	07.05 25 12	720
07.06	07.06 25 18	2000
07.07	07.07 25 18	3000

Profitronic I/F, I/A

Profitronic I/F IP 65



Version with transparent cover, cast aluminium front plate lid and cast aluminium flat lid (with seal)

Type	Order No.	Weight (g)
07.06	07.06 29 18	1380
07.07	07.07 29 18	3120



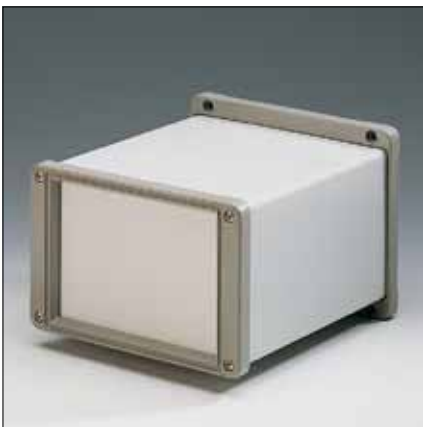
Version with two aluminium protective collar lids (with seal)

Type	Order No.	Weight (g)
07.05	07.05 24 12	785
07.06	07.06 24 18	1460
07.07	07.07 24 18	2300



Version with cast aluminium flat lid and cast aluminium mounting rear panel (with seal)

Type	Order No.	Weight (g)
07.05	07.05 23 12	685
07.06	07.06 23 18	1360
07.07	07.07 23 18	2880



Version with cast aluminium front plate lid and cast aluminium mounting rear panel (with seal)

Type	Order No.	Weight (g)
07.06	07.06 28 18	1380
07.07	07.07 28 18	2200



Version with cast aluminium protective collar lid and cast aluminium mounting rear panel (with seal)

Type	Order No.	Weight (g)
07.05	07.05 26 12	860
07.06	07.06 26 18	2000
07.07	07.07 26 18	3266



Version with transparent cover, cast aluminium front panel lid and cast aluminium mounting rear panel (with seal)

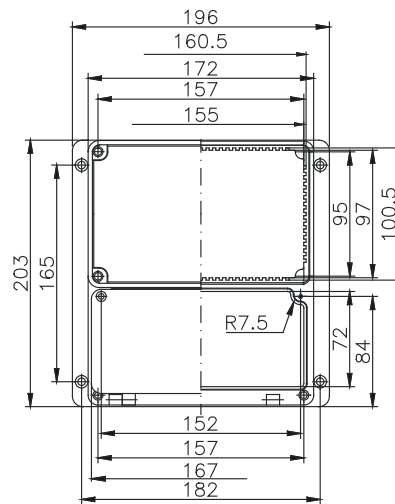
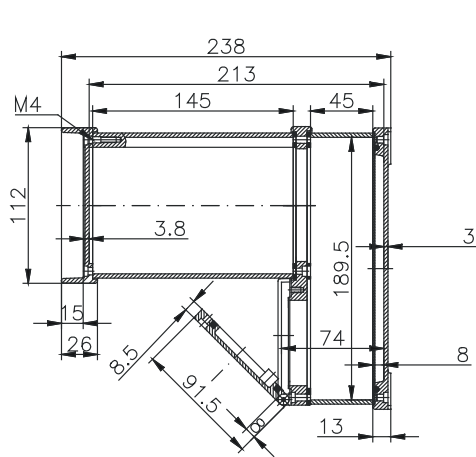
Type	Order No.	Weight (g)
07.06	07.06 30 18	2000
07.07	07.07 30 18	2600

Profitronic I/A



PCB enclosure with connection compartment

Order No. **07.09 00 15**

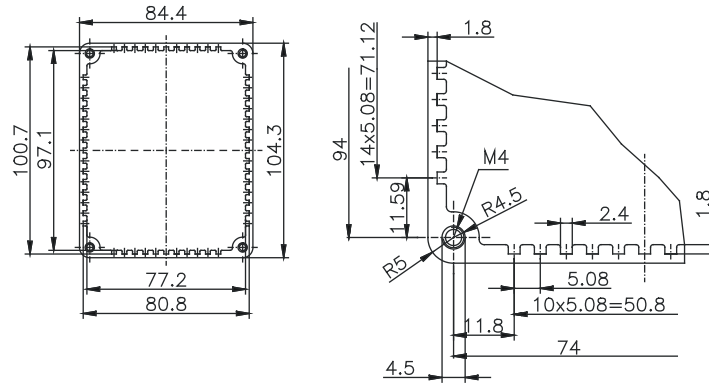


Profitronic I/F, I/A

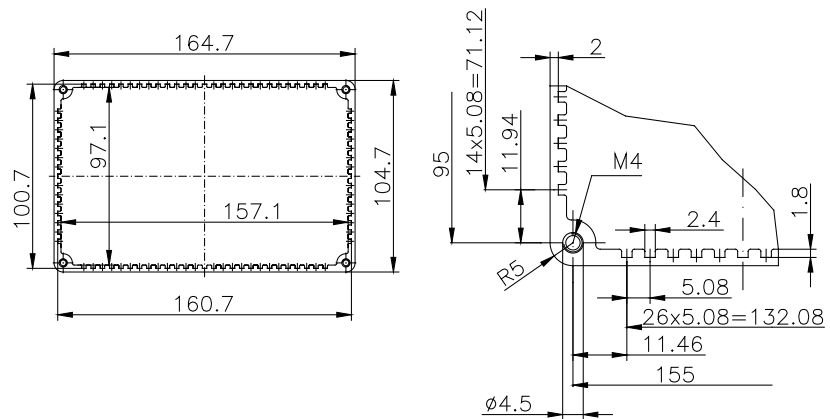
Dimensions



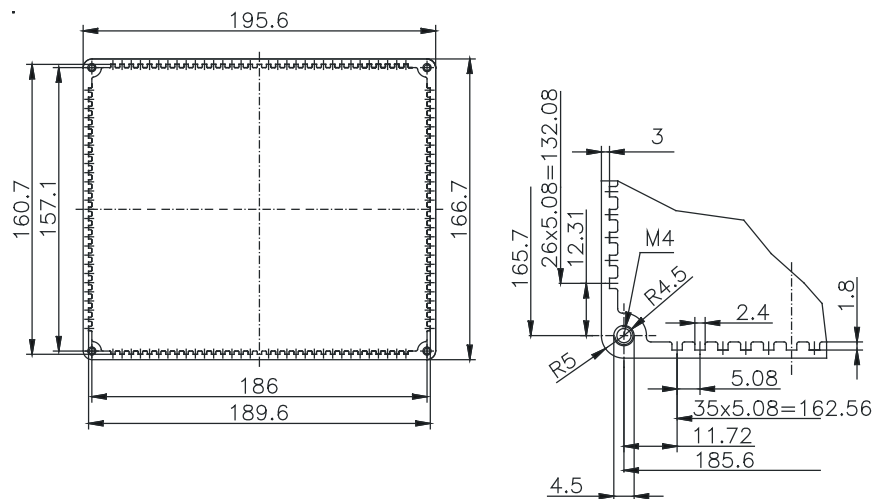
Profile 07.05



Profile 07.06



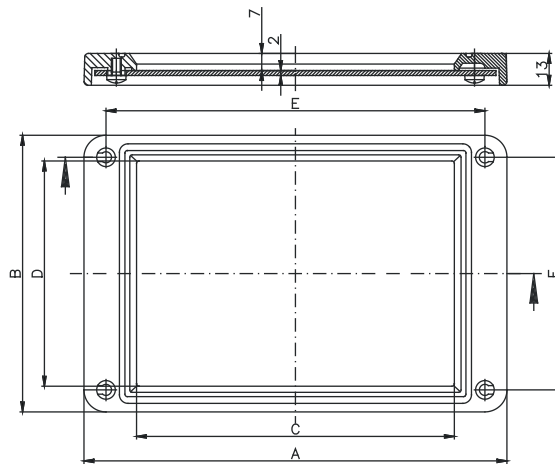
Profile 07.07



Dimensions



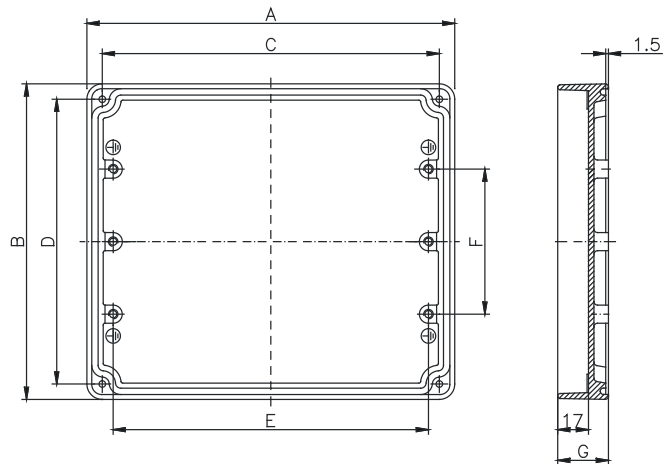
Cast aluminium front plate lid



Type	A	B	C	D	E	F
07.06	173	113	130	92	155	95
07.07	204	175	161	154	186	157



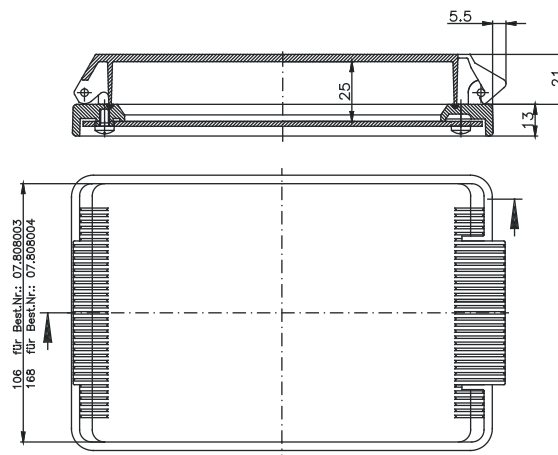
Cast aluminium protective collar lid



Type	A	B	C	D	E	F	G
07.05	112	92	94	74	85	-	26
07.06	172,5	112,5	155	95	145	-	26
07.07	203	174	186	157	174	80	28



Cast aluminium front plate lid with transparent cover

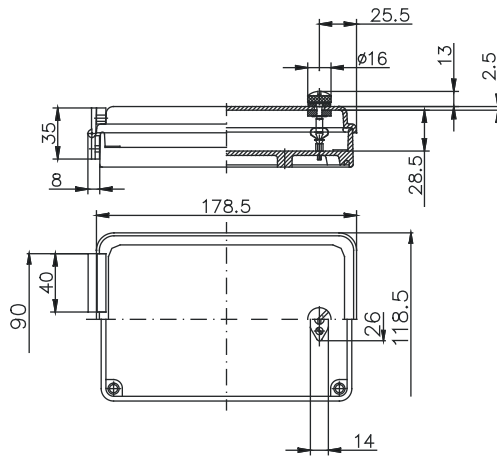


Profitronic I/F, I/A

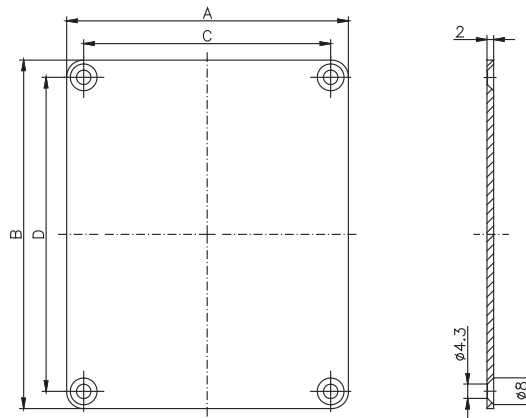
Dimensions



Transparent cover for cast aluminium protective collar lid



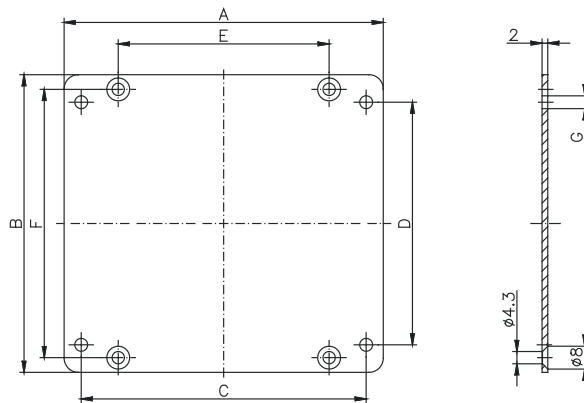
Sheet aluminium lid



Type	A	B	C	D
07.05	85	105	74	94
07.06	105	165	95	155
07.07	167	196	157	186



Sheet aluminium mounting rear panel

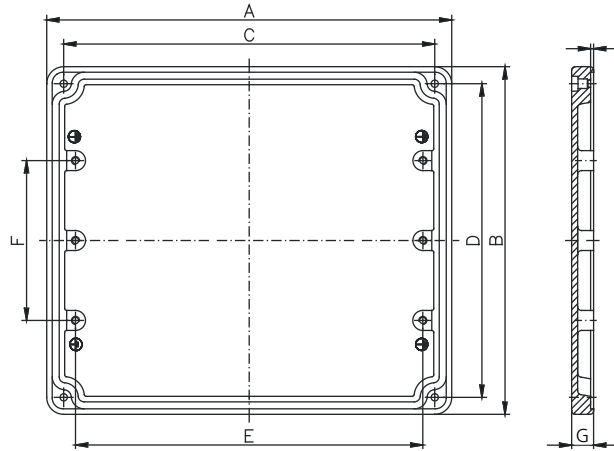


Typ	A	B	C	D	E	F	G
07.05	105	112	94	74	85	100	4,5
07.06	135	165	155	95	140	120	5,5
07.07	196	196	186	157	165	182	5,5

Dimensions



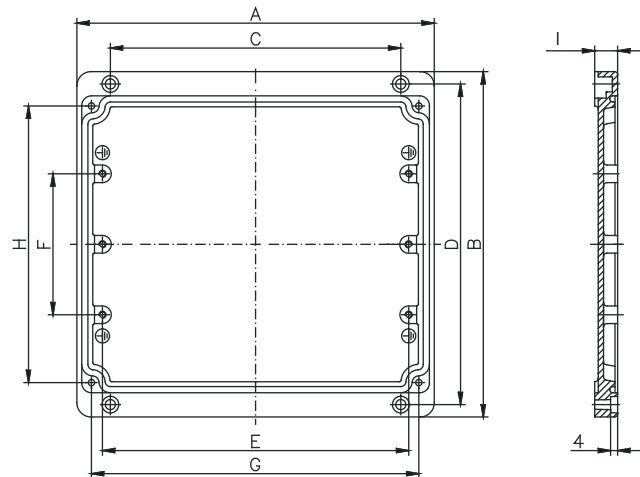
Cast aluminium flat lid



Type	A	B	C	D	E	F	G
07.05	112	92	94	74	85	-	9
07.06	172,5	112,5	155	95	145	-	9
07.07	203	174	186	157	174	80	11



Cast aluminium mounting rear wall



Type	A	B	C	D	E	F	G	H	I
07.05	112	112	85	100	85	-	94	74	11
07.06	172,5	135	140	120	145	-	155	95	11
07.07	203	196	165	182	174	80	186	157	13

Applications Profitronic 19 / Profitronic 19U





- Enclosure in variable length version using profile technology
- Standard construction or version with connection compartment
- Optional Polycarbonate transparent cover
- Profitronic 19: integrated 19" rack (height 3HU): 19, 28, 42HP
- Profitronic 19 U: aluminium electronic enclosures in 3 sizes

Technical data

Material:

Enclosure body: DIN EN 573 EN AW-ALMgSi

Connection compartment:
DIN EN 1706 EN AC-ALSi 12 (Fe)

Ingress protection:

IP 65 to EN 60529

outdoor application on request

Colour:

Enclosure body and connection compartment:
RAL 7035, light grey

Enclosure lid and external bracket:
RAL 7030, stone grey

Painting:

Powder coating

Opening angle:

Connection compartment and transparent cover
110°

Temperature range:

Lid seal: -40°C to +80°C

Transparent cover: -40°C to +70°C

Included in delivery

Enclosure system - depending on version either with cast aluminium lids, connection compartment or transparent cover, fixing elements please order separately

Profitronic 19 / Profitronic 19 universal

Profitronic 19

Product range

Type	19" mounting frame	19" mounting frame with transparent cover	Front plate lid	Front plate lid	Front plate lid with transparent cover	Dimensions* W x L x H (mm)
Enclosure with connection compartment standard (63,5 mm)						
19TE	07.19 11 00	07.19 21 00	07.19 31 00	07.19 33 00**	07.19 23 00	148 x 236 x 241
28TE	07.28 11 00	07.28 21 00	07.28 31 00	07.28 33 00**	07.28 23 00	191 x 236 x 241
42TE	07.42 11 00	07.42 21 00	07.42 31 00	07.42 33 00**	07.42 23 00	265 x 236 x 241
Enclosure with connection compartment deep (103,5 mm)						
19TE	07.19 11 01	07.19 21 01	07.19 31 01	07.19 33 01**	07.19 23 01	148 x 276 x 241
28TE	07.28 11 01	07.28 21 01	07.28 31 01	07.28 33 01**	07.28 23 01	191 x 276 x 241
42TE	07.42 11 01	07.42 21 01	07.42 31 01	07.42 33 01**	07.42 23 01	265 x 276 x 241
Enclosure without connection compartment						
19TE	07.19 12 00	07.19 22 00	07.19 32 00	-	-	148 x 235 x 149
28TE	07.28 12 00	07.28 22 00	07.28 32 00	-	-	191 x 235 x 149
42TE	07.42 12 00	07.42 22 00	07.42 32 00	-	-	265 x 235 x 149

* Length without lid

** Enclosure length is equal to connection compartment depth

EMC version: product group 70.xx xx xx

Profitronic 19U

Product range

Type	19" mounting frame with transparent cover	Dimensions W x L x H (mm)	Front plate lid	Dimensions W x L x H (mm)
Enclosure with connection compartment (63,5 mm)				
19TE	07.19 21 11	148 x 285 x 241	07.19 31 11	148 x 280 x 241
28TE	07.28 21 11	191 x 285 x 241	07.28 31 11	191 x 280 x 241
42TE	07.42 21 11	265 x 285 x 241	07.42 31 11	265 x 280 x 241
Enclosure without connection compartment				
19TE	07.19 22 11	148 x 263,5 x 149	07.19 32 11	148 x 258,5 x 149
28TE	07.28 22 11	191 x 263,5 x 149	07.28 32 11	191 x 258,5 x 149
42TE	07.42 22 11	265 x 263,5 x 149	07.42 32 11	265 x 258,5 x 149

EMC version: product group 70.xx xx xx

Accessories

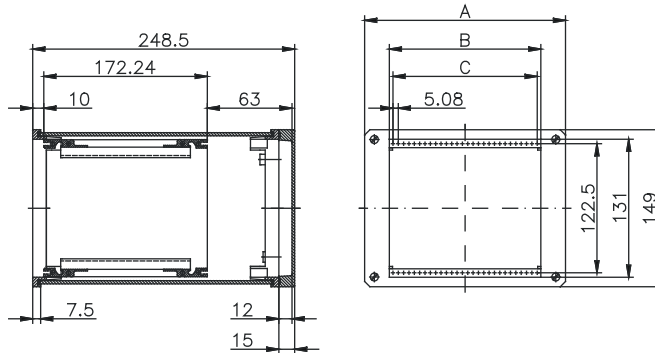
		Order No.	19	19U
External fixing for enclosure with connection compartment (set 2 pcs.)		07.00 01 00	•	•
External fixing for enclosure without connection compartment (set 2 pcs.)		07.00 02 00	•	•
Special lock with socket wrench for connection compartment (mounted)		07.00 00 17	•	•
Turning handle for transparent cover (mounted)		07.00 00 18	•	•
Cylinder lock for transparent cover (mounted)		07.00 00 19	•	•
Board guides for PCB's, fixed (set 10 pcs.)		07.00 00 10		
Board guides for PCB's, variable (set 10 pcs.)		07.00 00 11		
Insulating strip to fix bus boards (set 2 pcs.)	Type	07.19 07.19 00 20	•	
		07.28 07.28 00 20	•	
		07.42 07.42 00 20	•	
Aluminium profile (Z-rails) to fix connector bars (set 2 pcs.)	Type	07.19 07.19 00 10	•	
		07.28 07.28 00 10	•	
		07.42 07.42 00 10	•	
Mounting plate for connection compartment	Type	07.19 07.19 00 30	•	•
		07.28 07.28 00 30	•	•
		07.42 07.42 00 30	•	•
Table feet (set, self adhesive, black)		10.07 00 19	•	•
Mounting feet (2 pcs.), grey		07.70 00 81		

Abmessungen Profitronic 19



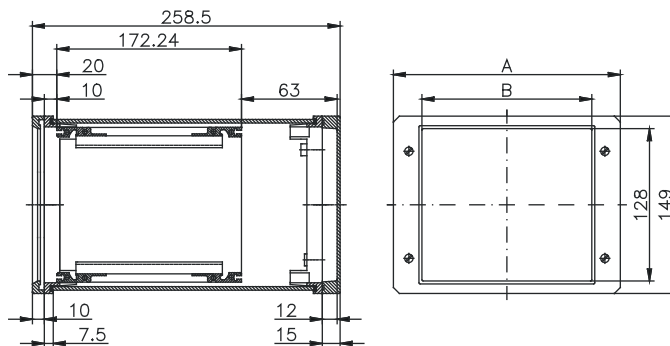
Enclosure without connection compartment / 19" mounting frame

Type	Order No.	Weight (g)	Dimensions		
			A	B	C
19TE	07.19 12 00	1360	148	98	18 x 5,08 = 91,44
28TE	07.28 12 00	2000	191	144	27 x 5,08 = 137,16
42TE	07.42 12 00	3000	265	215	41 x 5,08 = 208,28



Enclosure without connection compartment / front plate lid

Type	Order No.	Weight (g)	Dimensions	
			A	B
19TE	07.19 32 00	1660	148	100
28TE	07.28 32 00	2450	191	143
42TE	07.42 32 00	3600	265	217



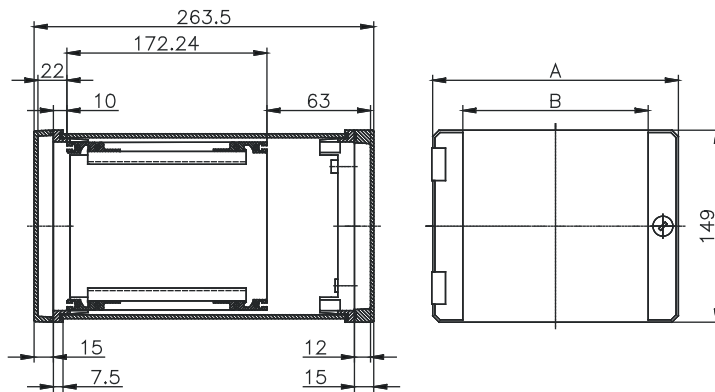
Profitronic 19 / Profitronic 19 universal

Dimensions Profitronic 19



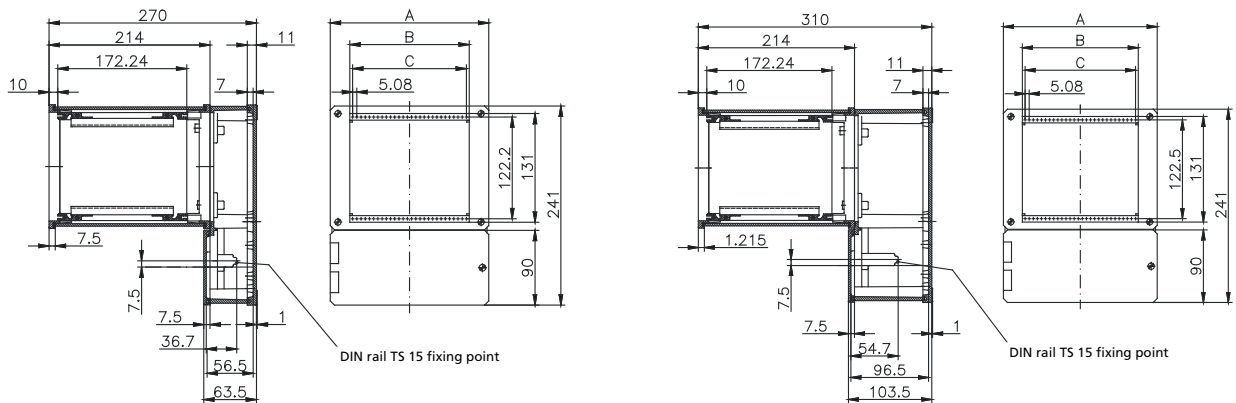
Enclosure without connection compartment / 19" mounting frame with transparent cover

Type	Order No.	Weight (g)	Dimensions	
			A	B
19TE	07.19 22 00	1500	148	101
28TE	07.28 22 00	2200	191	144
42TE	07.42 22 00	3300	265	218




Enclosure with connection compartment / 19" mounting frame

Type	Order No.	Weight (g)	Dimensions		
			A	B	C
Connection compartment standard					
19TE	07.19 11 00	2240	148	98	18 x 5,08 = 91,44
28TE	07.28 11 00	3300	191	144	27 x 5,08 = 137,16
42TE	07.42 11 00	6820	265	215	41 x 5,08 = 208,28
Connection compartment deep					
19TE	07.19 11 01	3000	148	98	18 x 5,08 = 91,44
28TE	07.28 11 01	4000	191	144	27 x 5,08 = 137,16
42TE	07.42 11 01	6000	265	215	41 x 5,08 = 208,28

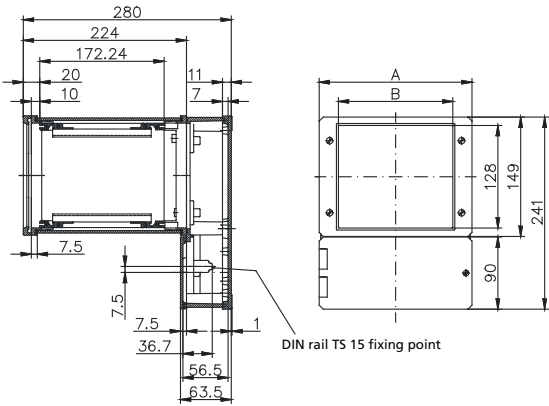


Abmessungen Profitronic 19

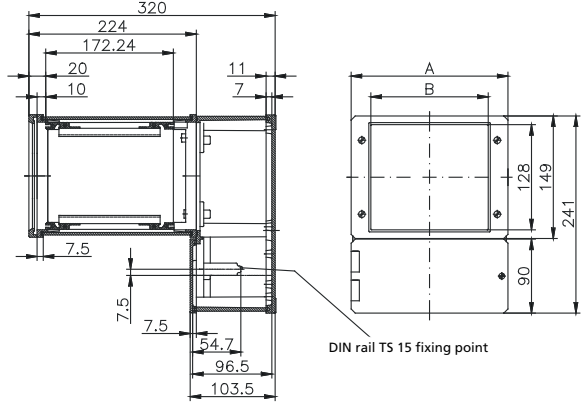


Enclosure with connection compartment / front plate lid


Type	Order No.	Weight (g)	Dimensions	
			A	B
Connection compartment standard				
19TE	07.19 31 00	2540	148	100
28TE	07.28 31 00	3750	191	143
42TE	07.42 31 00	5600	265	217
Connection compartment deep				
19TE	07.19 31 01	4400	148	100
28TE	07.28 31 01	5200	191	143
42TE	07.42 31 01	6400	265	217



DIN rail TS 15 fixing point

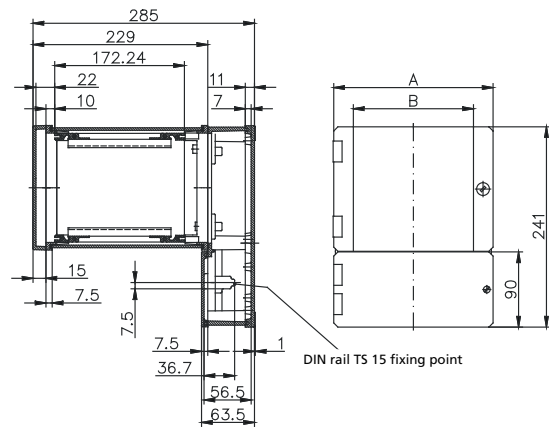


DIN rail TS 15 fixing point

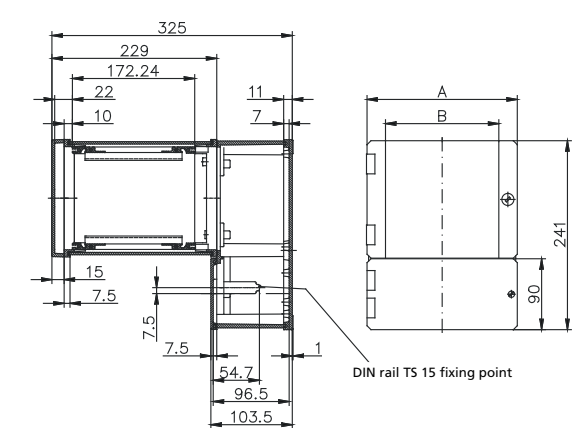


Enclosure with connection compartment / 19" mounting frame with transparent cover

Type	Order No.	Weight (g)	Dimensions	
			A	B
Connection compartment standard				
19TE	07.19 21 00	2400	148	101
28TE	07.28 21 00	4500	191	144
42TE	07.42 21 00	5300	265	218
Connection compartment deep				
19TE	07.19 21 01	3000	148	101
28TE	07.28 21 01	4200	191	144
42TE	07.42 21 01	6000	265	218




DIN rail TS 15 fixing point



DIN rail TS 15 fixing point

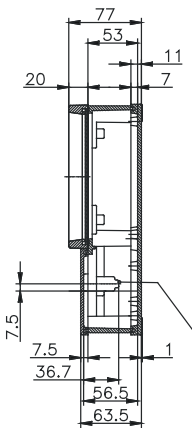
Profitronic 19 / Profitronic 19 universal

Abmessungen Profitronic 19

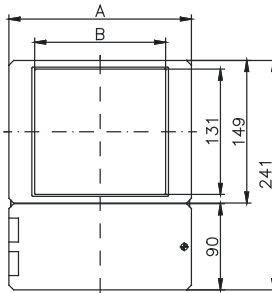


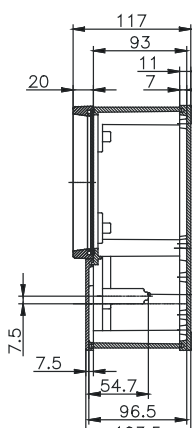
Enclosure with connection compartment / front plate lid

Type	Order No.	Weight (g)	Dimensions	
			A	B
Connection compartment standard				
19TE	07.19 33 00	1000	148	94
28TE	07.28 33 00	1100	191	137
42TE	07.42 33 00	1200	265	211
Connection compartment deep				
19TE	07.19 33 01	1450	148	94
28TE	07.28 33 01	1660	191	137
42TE	07.42 33 01	1900	265	211

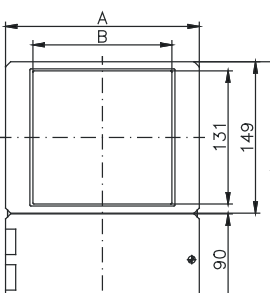



DIN rail TS 15 fixing point





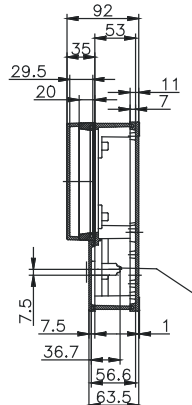
DIN rail TS 15 fixing point



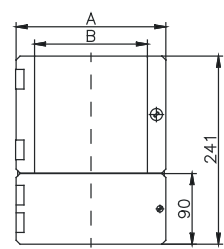


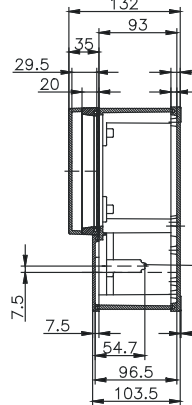
Enclosure with connection compartment / front plate lid with transparent cover

Type	Order No.	Weight (g)	Dimensions	
			A	B
Connection compartment standard				
19TE	07.19 23 00	1200	148	101
28TE	07.28 23 00	1250	191	144
42TE	07.42 23 00	1400	265	218
Connection compartment deep				
19TE	07.19 23 01	1600	148	101
28TE	07.28 23 01	1820	191	144
42TE	07.42 23 01	2100	265	218

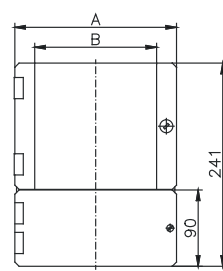


DIN rail TS 15 fixing point





DIN rail TS 15 fixing point

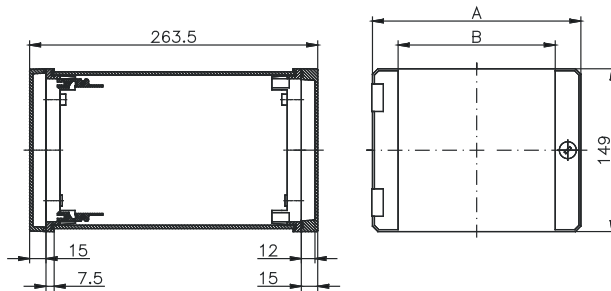


Abmessungen Profitronic 19U



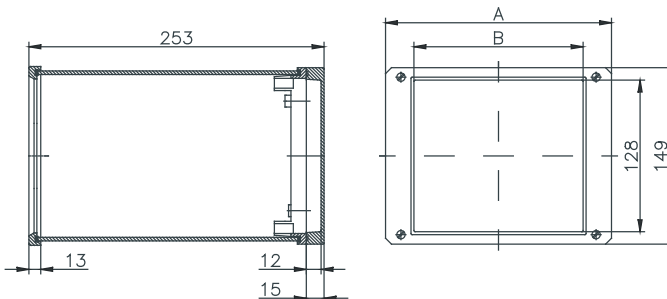
Enclosure without connection compartment / 19" mounting frame with transparent cover

Width (type)	Order No.	Weight (g)	Dimensions	
			A	B
96,5 (19TE)	07.19 22 11	1500	148	101
142,2 (28TE)	07.28 22 11	2200	191	144
213,3 (42TE)	07.42 22 11	3300	265	218



Enclosure without connection compartment / front plate lid

Width (type)	Order No.	Weight (g)	Dimensions	
			A	B
96,5 (19TE)	07.19 32 11	1660	148	100
142,2 (28TE)	07.28 32 11	2450	191	143
213,3 (42TE)	07.42 32 11	3600	265	217



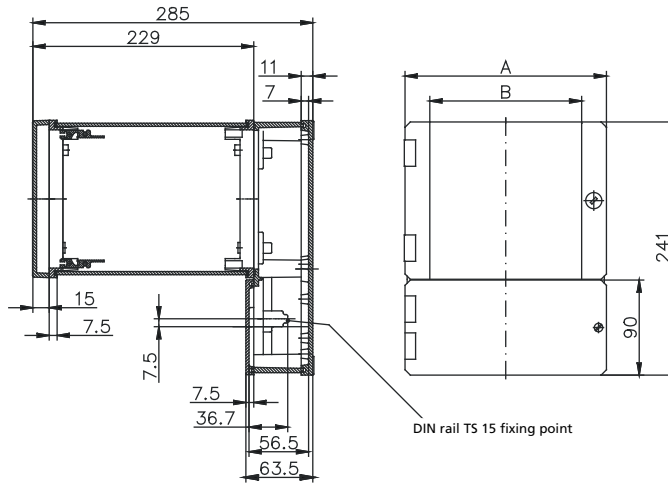
Profitronic 19 / Profitronic 19 universal

Abmessungen Profitronic 19U



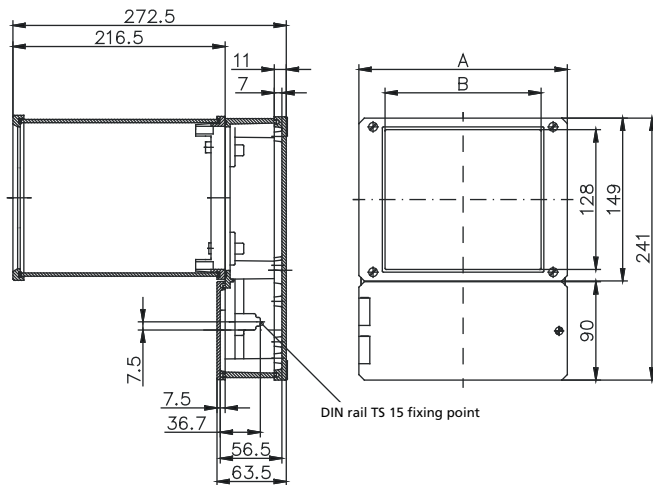
Enclosure with connection compartment / 19" mounting frame with transparent cover

Width (type)	Order No.	Weight (g)	Dimensions	
			A	B
96,5 (19TE)	07.19 21 11	2200	148	98
142,2 (28TE)	07.28 21 11	3500	191	144
213,3 (42TE)	07.42 21 11	5300	265	215



Enclosure with connection compartment / front plate lid

Width (type)	Order No.	Weight (g)	Dimensions	
			A	B
96,5 (19TE)	07.19 31 11	2540	148	100
142,2 (28TE)	07.28 31 11	3750	191	143
213,3 (42TE)	07.42 31 11	5600	265	217





- Aluminium electronic enclosure for console applications
- Variable length version using profile technology
- Enclosure with integrated guide grooves for PCBs

Technical data

Material:

Enclosure body: DIN EN 573 EN AW-ALMgSi
Sides: diecast aluminium

Ingress protection:

IP 65 to EN 60529

Colour:

RAL 7035, light grey

Painting:

Powder coating

Temperature range:


-40°C to +80°C

Included in delivery

Enclosure system with 2 cast aluminium lids and front plate screwed

Pult-Profitronic

Product range

Type	Order No.	External enclosure dimensions* W x L x H (mm)	max. PCB dimensions (mm)	Weight (g)
07.04	07.04 14 24	201 x 241 x 121/47,5	100 / 189	3200
	07.04 14 36	201 x 362 x 121/47,5	100 / 189	4860
	07.04 14 48	201 x 483 x 121/47,5	100 / 189	6480

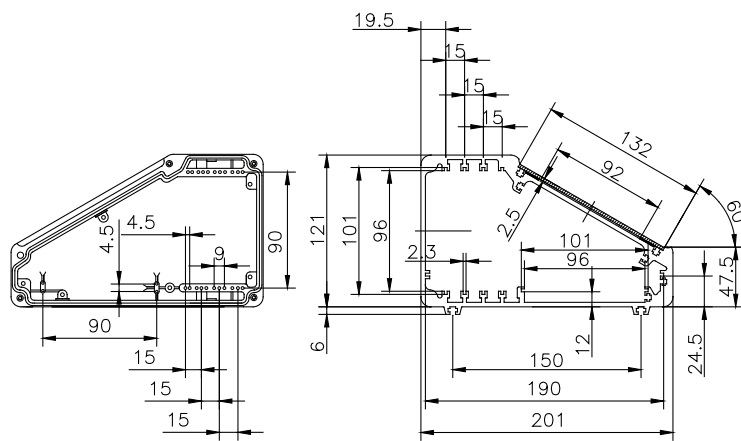
EMC version: product group 70.xx xx xx

Accessories

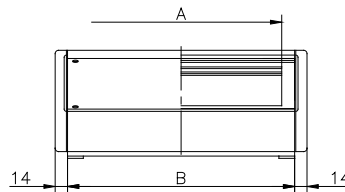
Clamps (10 pcs.)

07.83 00 00

Dimensions



Order No.	Dimensions	
	A	B
07.04 14 24	211,5	241,5
07.04 14 36	332,5	362,5
07.04 14 48	453,5	483,5





- Aluminium desktop enclosure for MCR technology
- Individual height versions by profile technology
- Stacking capability using special foot shape
- Contact-uninsulated internal enclosure walls
- Internal groove for spring nuts M4 and M5

Technical data

Material:

Half shell: DIN EN 1706 EN AC-AISI 12 (Fe)

Profile: DIN EN 573 EN AW-ALMgSi

Ingress protection:

IP 40 to EN 60529

Colour combination:

Enclosure: RAL 7035, light grey
Foot elements: RAL 7024, graphite grey

or enclosure: RAL 9005, jet black
Foot elements: RAL 3003, ruby red

Painting:

Powder coating

Temperature range:

-40°C to +80°C

Included in delivery

Enclosure system with foot/head elements, front plate/rear wall please order separately

Wavetronic

Product range

Type	Order No.	External enclosure dimension* W x L x H (mm)	Weight (g)	Colour combination	Front plate/rear wall (set, 2 pcs.)	max. front plate connector area
Wavetronic 1	07.70 01 01	324 x 268 x 55	2300	grey/anthracite	07.70 00 91	287 x 37
Wavetronic 1	07.70 02 01	324 x 268 x 55	2300	black/red	07.70 00 91	287 x 37
Wavetronic 2	07.70 01 02	324 x 268 x 101	2700	grey/anthracite	07.70 00 92	287 x 83
Wavetronic 2	07.70 02 02	324 x 268 x 101	2700	black/red	07.70 00 92	287 x 83
Wavetronic 3	07.70 01 03	324 x 268 x 147	3100	grey/anthracite	07.70 00 93	287 x 129
Wavetronic 3	07.70 02 03	324 x 268 x 147	3100	black/red	07.70 00 93	287 x 129
Wavetronic 4	07.70 01 04	324 x 268 x 194	3500	grey/anthracite	07.70 00 94	287 x 176
Wavetronic 4	07.70 02 04	324 x 268 x 194	3500	black/red	07.70 00 94	287 x 176
Wavetronic special height	07.70 01 99	324 x 268 x SH**		grey/anthracite	07.70 00 99	287 x SH***
Wavetronic special height	07.70 02 99	324 x 268 x SH**		black/red	07.70 00 99	287 x SH***

* dimensions without foot elements

** front panel fitting area + 18

*** min. special height = 75 mm; max. special height = 300 mm

EMC version on request

Accessories

Mounting feet (2 pcs.), grey	07.70 00 81
Carrying handle	07.70 00 82
19" insert set (53HP / 3HU)	07.70 00 83
Spring nuts M4 (4 pcs.)	29.00 00 50
Spring nuts M5 (8 pcs.)	10.03 60 01



Wavetronic 1



Wavetronic 2

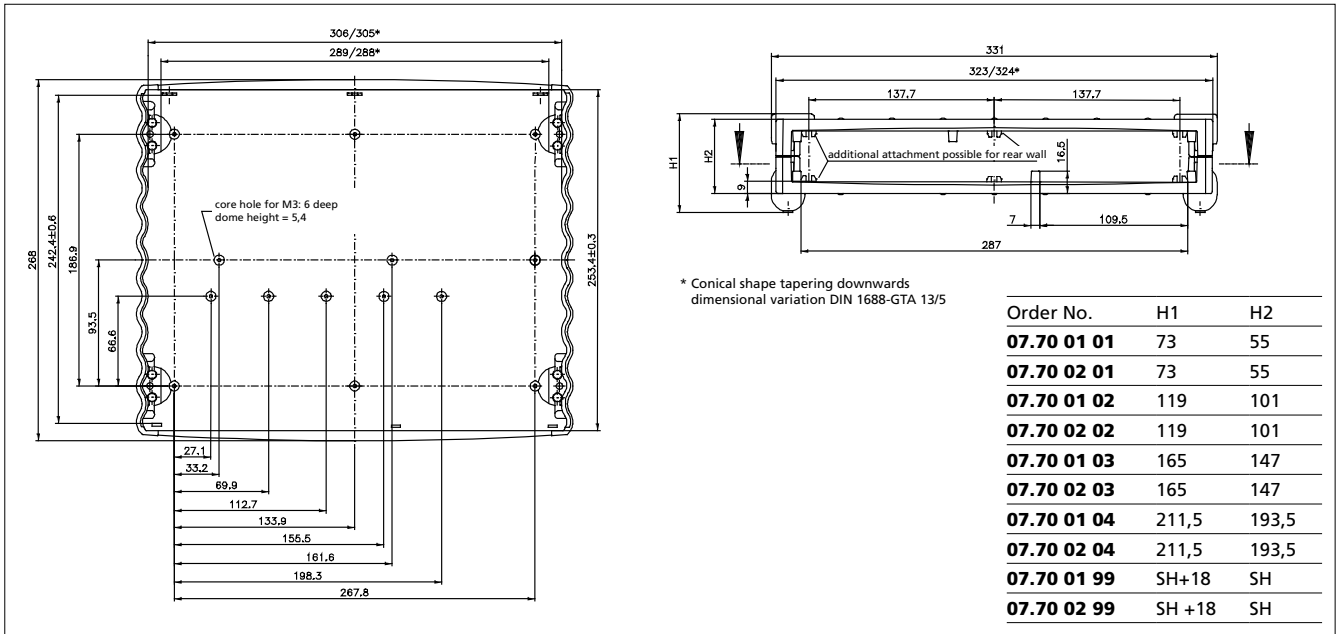


Wavetronic 3



Wavetronic 4

Dimensions

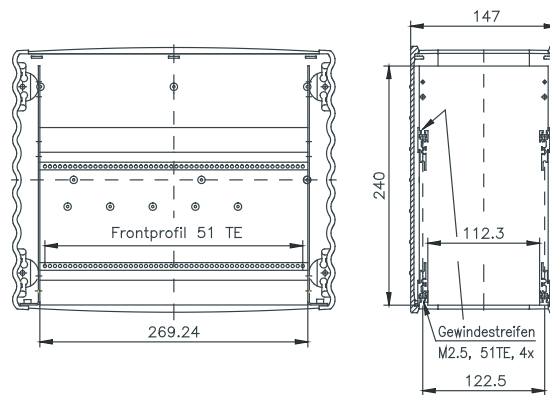


Accessories



19" insert set (for Wavetronic 3)

Order No. **07.70 00 83**

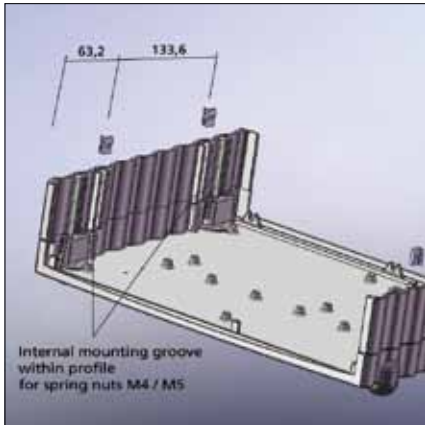


Front plate/rear wall

Wavetronic 1	07.70 00 91
Wavetronic 2	07.70 00 92
Wavetronic 3	07.70 00 93
Wavetronic 4	07.70 00 94
Wavetronic special height	07.70 00 99

Wavetronic

Accessories



Mounting feet

Order No. **07.70 00 81**



Handle

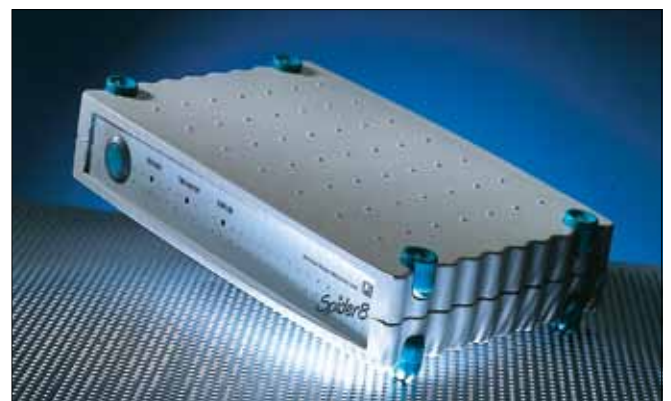
Order No. **07.70 00 82**



Spring nuts for mounting groove

M4 (4 pcs.)	29.00 00 50
M5 (8 pcs.)	10.03 60 01

Applications



The way to the right enclosure

Various criteria must be taken into account when selecting an enclosure:

- the fitting location (internal or external use, explosion zone, sea-water use etc.)
- the size (depends on the contents)
- the protective functions (ingress protection, EMC toughness, Ex)

The listings below should help you to select the right enclosure to match your special requirements.

I. Enclosure material specifications

Aluminium enclosures

- Light, robust metal enclosures
- good chemical resistance (see table)
- can be used in large temperature range
- EMC basic screening (complete screening optional)
- good finishing options
- application areas: suitable for internal and external use, special version or Ex version for use in aggressive or sea-water environments

II. Temperature range

The definition of temperature resistance for enclosures is based on the maximum continuous temperature at which the enclosure remains dimensionally stable and the ingress protection remains guaranteed. Admissible short term peak temperatures are often considerably higher. The definition of temperature resistance in the case of the components of the process automation is based to the maximum continuous temperature, provided that the factory-installed (electronic) components are functioning correctly and the enclosure rating is maintained. Further classifications apply to storage and transport, and are listed in the respective product descriptions.

III. Corrosion resistance

We offer the following for critical external areas:

SWB version (seawater-resistant):
Purified - powder-coated
Standard colour RAL 5009, other colours on request.

For application areas with extreme UV radiation we recommend coating with a special Polyester powder.

SBG/SBGL version only for wet painting processes.

SBG = washed - chromated - priming

SBGL = washed - chromated - priming - painting

Stainless steel socket inserts available on request.

IV. Ingress protection

ROSE enclosures are classified in ingress protection to the generally applicable guidelines contained in EN 60529 and IEC 144.

The ingress protection is indicated by an abbreviation, which is always composed of the two letters IP and two digits relating to the protection level.

Protection class for contact and foreign body protection

First digit	Designation
0	No protection
1	Protection against large foreign bodies
2	Protection against medium-sized foreign bodies
3	Protection against small foreign bodies
4	Protection against grain-shaped foreign bodies
5	Protection against dust deposits
6	Protection against dust entry

Protection class for water protection

Second digit	Designation
0	No protection
1	Protection against vertical falling drip water
2	Protection against obliquely falling drip water
3	Protection against water spray
4	Protection against splashing water
5	Protection against water jets
6	Protection when flooded
7	Protection when immersed
8	Protection when submerged

Hinweis: Die bei den Gehäusen angegebenen Schutzarten beziehen sich auf unbearbeitete Gehäuse im Auslieferungszustand. Alterung und Temperaturschwankungen können zu einer Minderung der Schutzart führen.

General technical informations

V. Chemical resistance

Chemical	Aluminium	Polycarbonat	Silikon
Acetone	+	-	•
Formic acid	•	30 %	•
Ammonia	+	-	+
Benzine	+	+	+
Benzole	+	-	-
Drilling/parting oil	+	/	+
Butane	+	+	+
Calcium chloride	+	+	-
Chloric benzole	+	-	-
Crude oil, natural gas	+	+	•
Acetic acid	+	10 %	-
Formaldehyde	+	/	+
Frigen 113	+	+	/
Glycerine	+	•	+
Heating oil	+	•	•
Potassium chloride	•	+	+
Linseed oil	+	+	•
Methanol	+	-	+
Methylen chloride	+	-	-
Lactic acid	+	10 %	
Sodium carbonate	•	+	/
Sodium chloride	•	+	+
Sodium hydroxide	+	/	•
Kerosene	+	/	/
Propane	+	/	/
Nitric acid	+	10 %	-
Lubricating oil	+	+	+
Carbon bisulphide	+	-	-
Carbon disuiphide	•	50 %	25 %
Sea water	+	+	+
Carbon tetrachloride	+	/	-
Toluol	+	-	-
Trichlorethylene	+	/	-
Water steam	+	+	+
Xylol	+	-	-
Zinc sulphate	•	+	+
Citric acid	+	10 %	+

Explanation of symbols

- + resistant against all concentrations
- % resistant against maximum % concentration
- C° resistant to maximum C°
- limited resistance
- not resistant
- / no information

EMC in enclosure technology

General information

In electrical/electronic engineering, enclosures assume two tasks:

- protection of the installed components from mechanical hazards and adverse radiation from outside
- protection of the surroundings from occurring mechanical and electrical hazards and adverse interference radiation from the components installed

Especially the electromagnetic compatibility (EMC) has an increasing effect on the selection of enclosures because of the ongoing development of the electronic components and the increased equipment density on the PCB's - which increasingly generates „pollution“ by electromagnetic interference radiation in the environment.

Legal regulations

Within the framework of harmonising the European standards, an EC guideline directive (05.89/336/EEC) was passed in May 1989, which took effect in the Federal Republic of Germany on the 9th Nov. 1992 in the EMC law (EMVG).

This law is applicable to all units which might cause electromagnetic interference or the operation of which could be impaired by such interference.

The EMC directive came into effect on 1.1.1996 EC-wide - from which date all new electrical and electronic units brought into circulation within the EC had to fulfil these regulations.

As an external sign that the EC relevant laws (EMC law and further design basics), these units have to show the CE symbol.

Requirements from the enclosure

Enclosures as such are not subjected to the EMC law, as by definition they are not electrical or electronic units.

However, enclosures are to a large extent responsible for the intensity of interference emission (receipt and transmission of interference waves) of a unit.

At this point, the choice of the enclosure material is also decisive for the screening effect which is composed of a reflection and an absorption damping of a enclosure.

Synthetic materials (plastics) alone have no filtering effect on interference radiation. A screening effect can be achieved by additional costly treatment (metal flashing or application of a conductive lacquer).

Metal enclosures, on the other hand, offer a highly effective basic protection against interference radiation. (Here an important factor is a large contact surface of the individual components of the enclosure (cover, enclosure shells).

To meet special protection requirements, the EMC compatibility can be increased by

- conductive seals,
- contact bare front surfaces as well as
- EMC compatible cable screw connections.

KLINKMANN

www.klinkmann.com

HELSINKI

tel. +358 9 540 4940
info@klinkmann.fi

ST. PETERSBURG

tel. +7 812 327 3752
klinkmann@klinkmann.spb.ru

MOSCOW

tel. +7 495 641 1616
moscow@klinkmann.spb.ru

YEKATERINBURG

tel. +7 343 287 19 19
yekaterinburg@klinkmann.spb.ru

SAMARA

tel. +7 846 273 95 85
samara@klinkmann.spb.ru

UFA

tel. +7 347 293 70 04
klinkmann@klinkmann.ru

KIEV

tel. +38 044 495 33 40
klinkmann@klinkmann.kiev.ua

KAZAKHSTAN

tel. +7779994825
sales@klinkmann.kz

MINSK

tel. +375 17 200 0876
minsk@klinkmann.com

RIGA

tel. +371 6738 1617
klinkmann@klinkmann.lv

VILNIUS

tel. +370 5 215 1646
post@klinkmann.lt

TALLINN

tel. +372 668 4500
klinkmann.est@klinkmann.ee