

EMP Surge Protector / Filter for 1 pair 2 Mbit/s data / telephone USS-2-2048-F

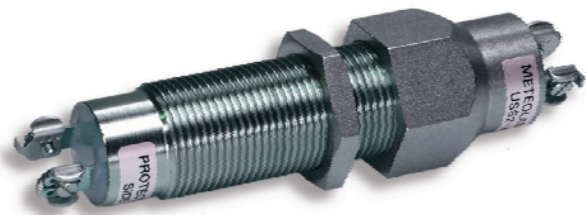
Excellent lightning and EMP protection for a wire pair of an analog or digital telephone or dataline up to 2 Mbit/s

Protects against overvoltages produced by NEMP / HEMP, lightning or other transients

Coordinated multi-stage protection/filter design providing high surge current capability

Feed-through type steel body for direct installation to wall of Faraday cage

Threat-level tested against HEMP according to MIL-STD-188-125, short and medium



Product

The Meteolabor® USS-2 series protection circuits against surge and interference voltages are designed as feed-through type mechanical units for the protection of data and control line systems. Depending on the specific application different types are available.

The highly effective multi-stage transient protection design combined with filtering components provides excellent protection against the effects of atmospheric discharges (lightning, electrostatic discharge) or a High Altitude Electro-Magnetic Pulse (HEMP), sometimes also referred to as Nuclear Electro-Magnetic Pulse (NEMP) or simply EMP. Special features of this series of protection circuits include high surge current capability, compact feed-through design and simple installation directly to Faraday cage. The USS-2-Series is threat-level tested against EMP according to MIL-STD-188-125, short pulse and intermediate pulse.

Applications

Meteolabor® USS-2-2048-F provides excellent protection for a pair of an analog or digital telephone line with data rates up to 2 Mbit/s. It will reliably protect connected sensitive electronic equipment such as modems and other telecommunication equipment, computers, etc. against the effects of lightning and EMP.

Best protection and filtering effect is achieved in a feed-through installation from an unprotected volume into a shielded and protected room.

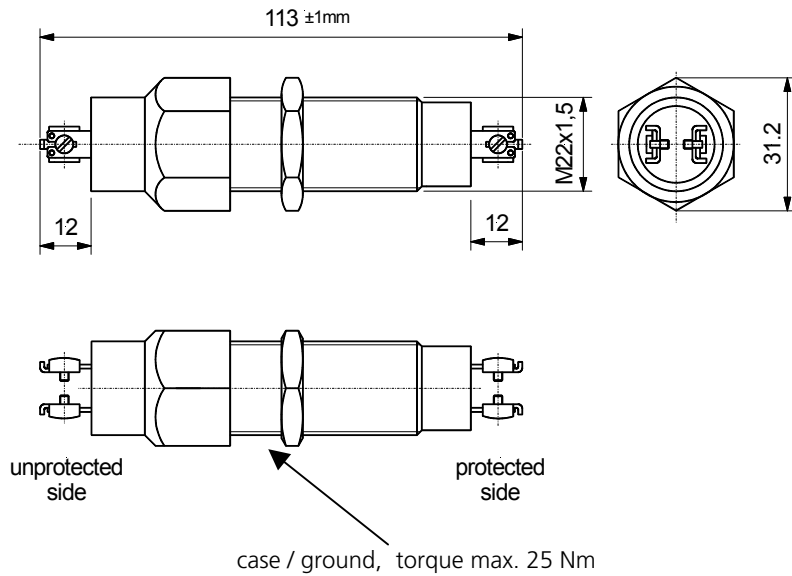
This guarantees optimized protection of mission critical equipment against very fast transient overvoltages (e.g. NEMP / HEMP).

USS-2-2048-F has been used in many fixed installations (buildings, underground shelters etc.) as well as in portable and mobile systems like containers or shelters and vehicles, which were successfully EMP-tested according to RS105 of MIL-STD-461F.

Technical Data USS-2-2048-F

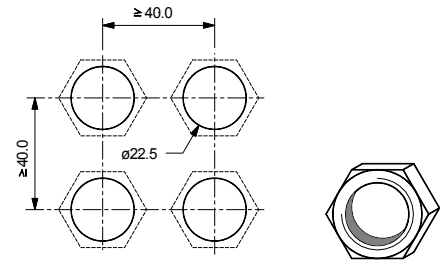
| | | |
|---|----------------------------------|---|
| Application | Analog or digital telephone line | Protects 1 pair, permits data rate up to 2 Mbit/s |
| Max. operating voltage | ±150 V | Peak voltage between wire pair |
| Max. operating current | 0.5 A | @ T _{amb} = 45°C |
| Data rate | 2 Mbit/s | POTS, ISDN, ADSL or HDSL |
| Max. surge current I _{Max} | 2x10 kA | Each wire → ground/case, shape 8/20 μs, at least 1 pulse |
| Max. lightning impulse current I _{Imp} | 2x2 kA | Each wire → ground/case, shape 10/350 μs, at least 1 pulse |
| DC resistance input - output | 2x0.5 Ω | Each path |
| Max. leakage current | < 0.5 μA | Measured @ 100 V DC |
| Residual voltage common mode | < 380 V | Wires → ground/case, pulse 4 kV / 2 kA according to IEC 61000-4-5 |
| Residual voltage differential mode | < 380 V | Wire → wire, pulse 4 kV / 2 kA according to IEC 61000-4-5 |
| Connection terminals | 2.8 / 6.3 mm | Choice of FASTON flat receptacle, solder or screw connection |
| Case material | Steel | Stainless / nickel-plated |
| Max. allowed installation torque | 25 Nm | Not to be exceeded under all circumstances |
| Dimensions | 27x32x113 mm | Major dimensions, details see drawing |
| Weight | approx. 180 g | |

Dimensions [mm]

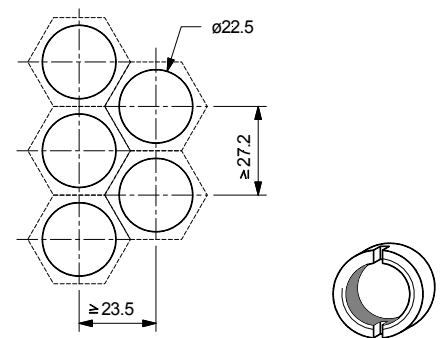


Installation Layouts

Standard drilling layout for USS-2 series with standard hexagonal nut (included, spanner size 27mm)



Space saving "honeycomb" mounting hole layout for USS-2 series (requires optional slotted nut USS-SM2 and USS-SK2 spanner)



Installation Notes

- The USS-2 series EMP protector/filters shall be installed by electrically skilled personnel.
- The electrical wiring must be done according to local regulations.
- The max. values stated in this datasheet must not be exceeded under any circumstances.
- Do not exceed max. installation torque of 25 Nm as this can destroy the device.
- USS-2 series EMP protector/filters may be directly installed into the wall of a Faraday cage as feed-through device. Otherwise the cabling on the protected side must be shielded for best performance.
- For space-saving installation of multiple protectors a "honeycomb" layout is recommended (see drawings).

Ordering Information / Part Number

USS-2-2048-F Surge Protector/Filter EMP USS2-2048-F

USS-SM2 optional slotted nut

USS-SK2 optional special socket spanner for slotted nut

General Recommendations for Protection Installation

- In order to achieve the full performance of a protection circuit the application of good-practice EMC design techniques is necessary for the whole system to be protected.
- For EMP-protection usually a shield as an electromagnetic barrier to protect a certain volume is necessary. This shield avoids coupling of radiated disturbances inside the protected volume. In addition to shielding all penetrating wires must be protected from conducted transient interferences by an appropriate POE (point of entry) protection.
- Use tested, high quality POE (point of entry) protection elements for all wires entering an electromagnetic shield and install these as feed-through devices, e.g. the Meteolabor® USS-1, USS-2, USP, CSP or PLP series.



Caution

Maximum torque for installation screw shall not exceed 25 Nm