

MicroRex analogue time switches

for rail



4127 90



4127 95

Conform to EN 60730-1 and EN 60730-2-7
 Programmed via captive segment
 Supply voltage : 230 V~ 50/60 Hz
 1 x 16 A output
 Manual changeover to summer/winter time
 Mount on DIN rail EN 60715

Pack	Cat. Nos.	Daily programme
1	4127 80	24 hour programme One segment : 15 minutes Switching accuracy : ± 5 minutes T11 Daily 1 channel Without working reserve N/O contact Minimum switching time : 15 minutes Vertical dial
1	4127 90	QT11 Daily 1 channel With 100 hr working reserve N/O contact Minimum switching time : 15 minutes Vertical dial
1	4128 12	T31 Daily 1 channel Without working reserve Changeover switch Minimum switching time : 30 minutes Horizontal dial
1	4128 13	QT31 Daily 1 channel With 100 hr working reserve Changeover switch Minimum switching time : 30 minutes Horizontal dial
Weekly programme		
1	4127 94	7 day programme One segment : 2 hours Switching accuracy : ± 30 minutes QW11 Weekly With 100 hr working reserve N/O contact Minimum switching time : 2 hours Vertical dial
1	4127 95	QW31 Weekly With 100 hr working reserve Changeover switch Minimum switching time : 4 hours Horizontal dial

No. of 17.5 mm modules
1

1

3

3

No. of 17.5 mm modules
1

3

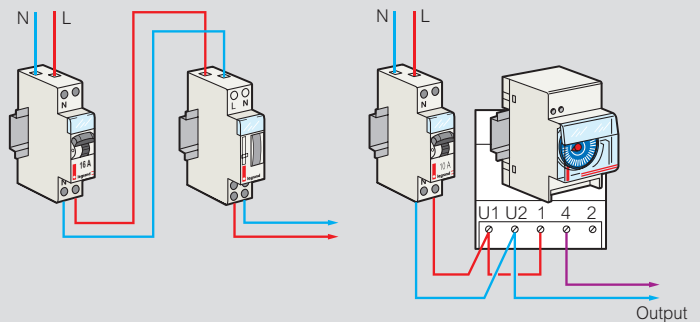
Technical information

Cat. Nos.	Programme	Segment	Min. switching time	Working reserve	16 A output via contact		No. of modules
					N/O	Chang. S.	
4128 12	24 h	15 min	30 min	without	-	1	3
4128 13	24 h	15 min	30 min	100 h	-	1	3
4127 80	24 h	15 min	15 min	without	1	-	1
4127 90	24 h	15 min	15 min	100 h	1	-	1
4127 94	7 d	2 h	2 h	100 h	1	-	1
4127 95	7 d	2 h	4 h	100 h	-	1	3

Wiring diagrams

Cat. Nos. 4127 80/90/94

Cat. Nos. 4128 12/13/4127 95

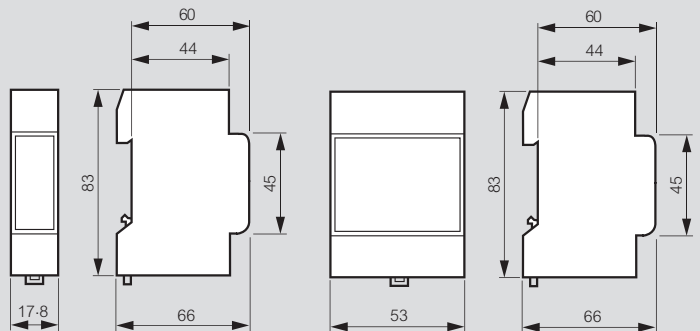


Output closing and breaking times are calculated based on the date, the actual time when the device was switched and on geographical coordinates of the actual location

Dimensions (mm)

Cat. Nos. 4127 80/90/94

Cat. Nos. 4128 12/13/4127 95



MaxiRex and EconoRex analogue time switches

surface and panel mounting



Pack	Cat. Nos.	MaxiRex
		<p>Conform to EN 60730-1 and EN 60730-2-7 Supply voltage : 230 V\sim \pm10% 3 position changeover switch With manual override Voltage free contacts Mounting options : - can be surface mounted - can be panel mounted using Cat. No. 0498 32 - can be clipped to DIN rail using Cat. No. 0044 09</p> <p>With 72 x 72 mm display to DIN EN 60715 Part C</p> <p>24 hour programme Programmable for 30 minutes minimum at 10 minute intervals Accuracy : \pm5 minutes per day</p>
1	0497 50	MaxiRex T Without working reserve – 50 Hz
1	0497 54	MaxiRex QT With 100 hr working reserve – 50/60 Hz
		<p>7 day programme Programmable for 3 hours minimum at 1 hour intervals Accuracy : \pm30 minutes per day</p>

Fixing accessories		
5	0498 32	Clip-on support frame for panel mounting
5	0044 09	DIN rail adaptor

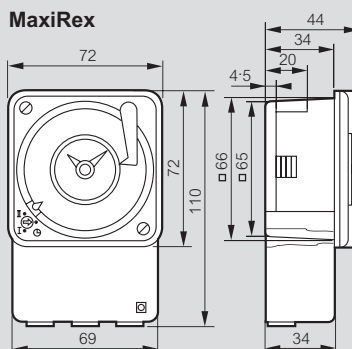
EconoRex MT		
1	0499 83	<p>Conforms to EN 60730-1 and EN 60730-2-7 Supply voltage : 230 V\sim 50 Hz Mounting options : - can be surface mounted using Cat. No. 0495 94 - can be panel mounted</p> <p>EconoRex MT BTAP without working reserve 20 A output Shortest switching step : 20 minutes Switching accuracy : \pm 5 minutes</p>

Fixing accessory		
1	0495 94	Support frame for surface mounting

Technical information

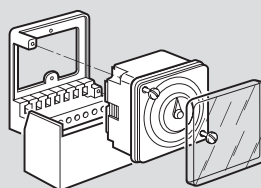
Type Cat. No.	MaxiRex T 0497 50	MaxiRex QT 0497 54	EconoRex MT 0499 83
Supply voltage	230 V \sim +10% -15%		
Frequency	50 Hz	50/60Hz	50 Hz
Switching capacity : cos ϕ = 1 cos ϕ = 0.6 incand. lamp	16 A 10 A 1 000 W		16 A 8 A 1 000 W
Contact	1 c/o SPDT	1 c/o SPDT	1 c/o
Working reserve	None	100 hrs	None
Min. switching time	30 mins		15 mins
Interval	10 mins		15 mins
IP rating	IP 30		
Storage temp.	-10 °C to +60 °C		
Operating temp.	0 °C to +55 °C		

Dimensions (mm)

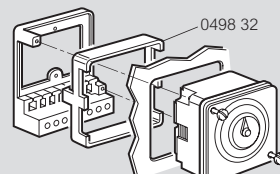


MaxiRex mounting

Wall mounting

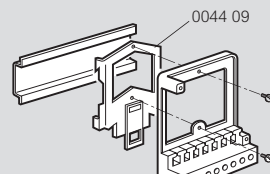


Panel mounting



Panel mounting with support
 Cat. No. 0498 32
 to be ordered separately

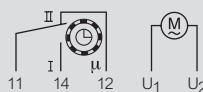
DIN rail mounting



Clipped on to
 DIN rail EN 60715
 Adaptor to be ordered
 separately (Cat. No. 0044 09)

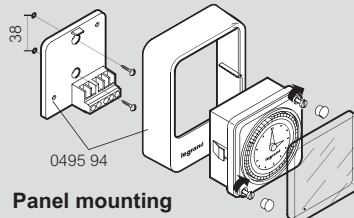
Wiring diagrams

MaxiRex and EconoRex

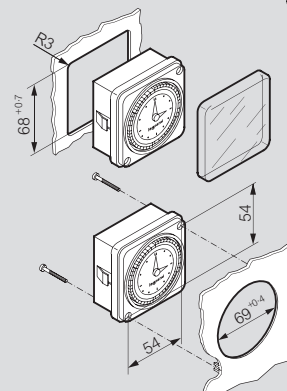


EconoRex mounting

Wall mounting



Panel mounting



Time switches are ideal for use
 with Bticino door entry systems
 Contact us on +44 (0) 845 605 4333

