

ATLANTIC

NEW IP 66 METAL CABINET



ADAPTABLE,
WEATHERPROOF
& ROBUST



→ CATALOGUE PAGES INCLUDED

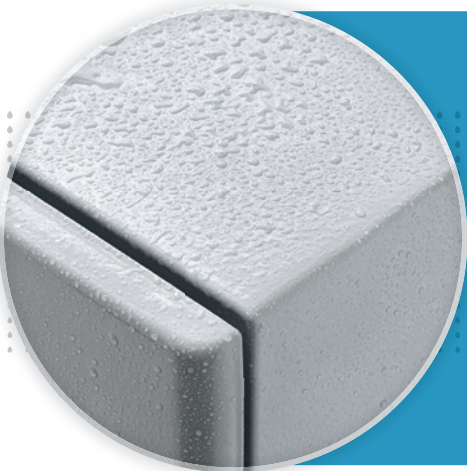
GLOBAL SPECIALIST IN ELECTRICAL
AND DIGITAL BUILDING INFRASTRUCTURES

 **legrand**[®]

Atlantic cabinet

Suitable
for all types
of site

The weatherproof seal and strength of the new range of Atlantic metal cabinets (supplied with plain plate) means they are suitable for use on a wide range of sites.



➤ IP 66 weatherproof cabinets





WEATHERPROOF

IP 66 or IP 55 (for 2-door cabinets),
conforming to IEC/EN 60529

IMPACT RESISTANT

IK 10 conforming to IEC/EN 62262

FINISH

Textured polyester coating (80 µm)
providing excellent resistance to
corrosion and chemicals

DOOR

Plain or glass door

3 VERSIONS :

A wide range of sizes
(51 catalogue numbers in total):



Vertical:

ranging from 300 x 200 x 160 mm
to 1400 x 800 x 400 mm



Square:

ranging from 300 x 300 x 160 mm
to 600 x 600 x 400 mm



Horizontal:

ranging from 300 x 400 x 160 mm
to 1000 x 1200 x 300 mm

APPLICATIONS

Ideal for use on any commercial or industrial site where rugged, weatherproof cabinets are needed and there is no excessive corrosion (office buildings, shopping centres, hotels, workshops, warehouses, outdoor car parks, camp sites, etc.)



Ease of use...

Save
installation
time

Atlantic weatherproof metal cabinets are supplied ready to use with a removable plain plate and cable entry plate (not fitted).
1 catalogue number = 1 complete cabinet.



WEATHERPROOF SEAL

Polyurethane seal for total weatherproofing of the cabinet – IP 66 (or IP 55 for 2-door cabinets).

REVERSIBLE DOOR

Easy to remove, with metal hinges and pins treated with high-performance anti-corrosion coating to provide strength that is guaranteed to last.

Opens to 130° for easier access into the cabinet.

SECTIONED UPRIGHTS

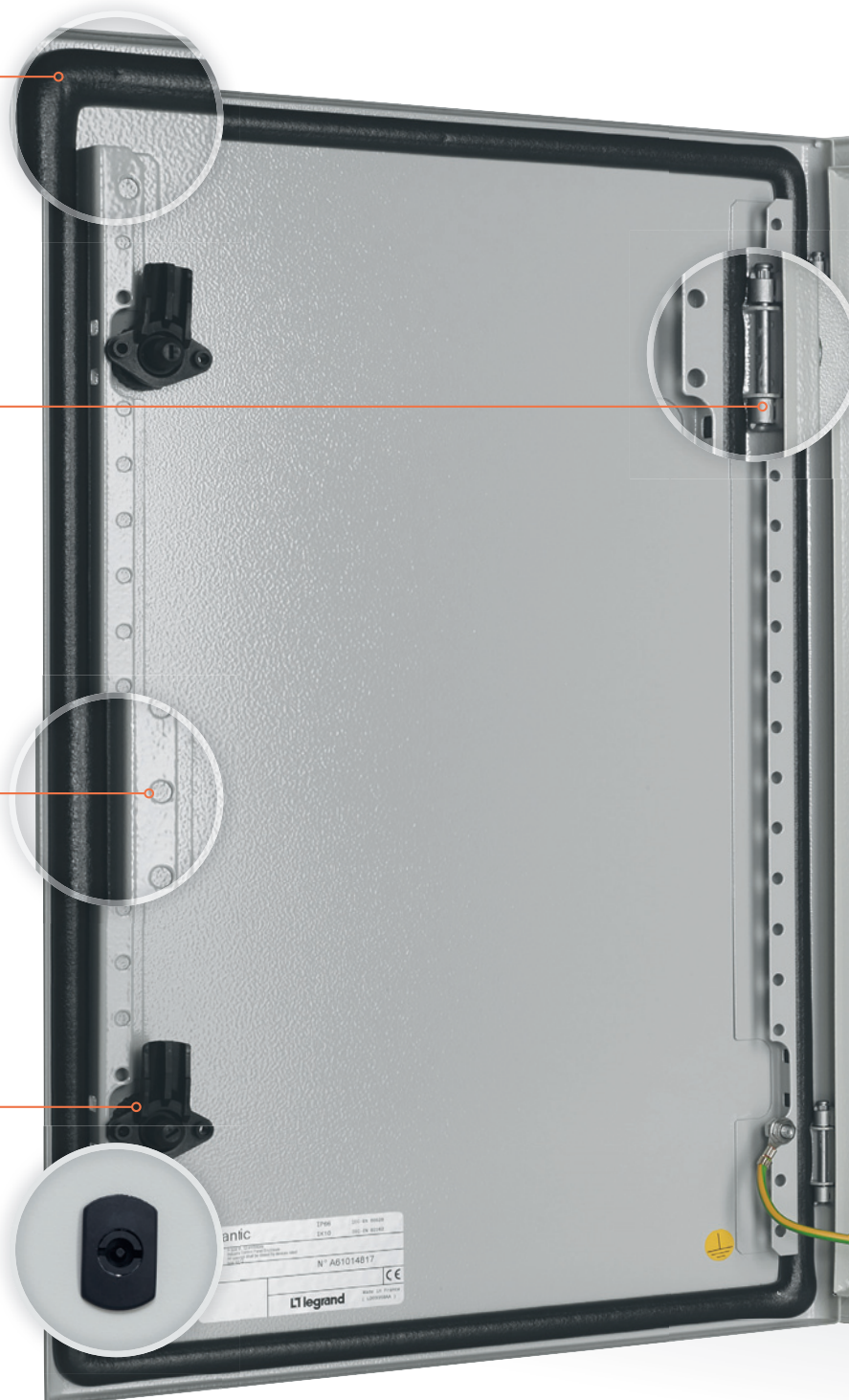
For greater door rigidity.

Also make it easier to mount equipment (Lina rails or perforated ducting) and manage cables.

DOUBLE BAR LOCK

For more effective closing and to ensure a totally weatherproof seal.

Cabinet supplied with double bar key. Other types of barrel or insert are available as options.





REMOVABLE PLAIN PLATE (SUPPLIED WITH THE CABINET*)

Provides maximum usable space and makes it easier to fix equipment directly.

Can be replaced by ready to use chassis or perforated plates.

The cabinet can be equipped with runners to adjust the usable depth.

*Not fitted.



REMOVABLE CABLE ENTRY PLATE

With polyurethane seals to make it fully weatherproof. Aligned with the base of the cabinet for a high-quality finish.

Can be equipped with cable glands or replaced by a Cabstop plate to optimise cable entry, which helps save a great deal of installation time and provides good tensile resistance.



➤ Cabstop plate

...Modularity

Scalable and multi-use

Atlantic metal enclosures can be equipped with a wide range of accessories to meet your site requirements, simplify your work and save you time.



METAL INTERNAL DOORS

For mounting directly in Atlantic cabinets. Also available in an insulated version.

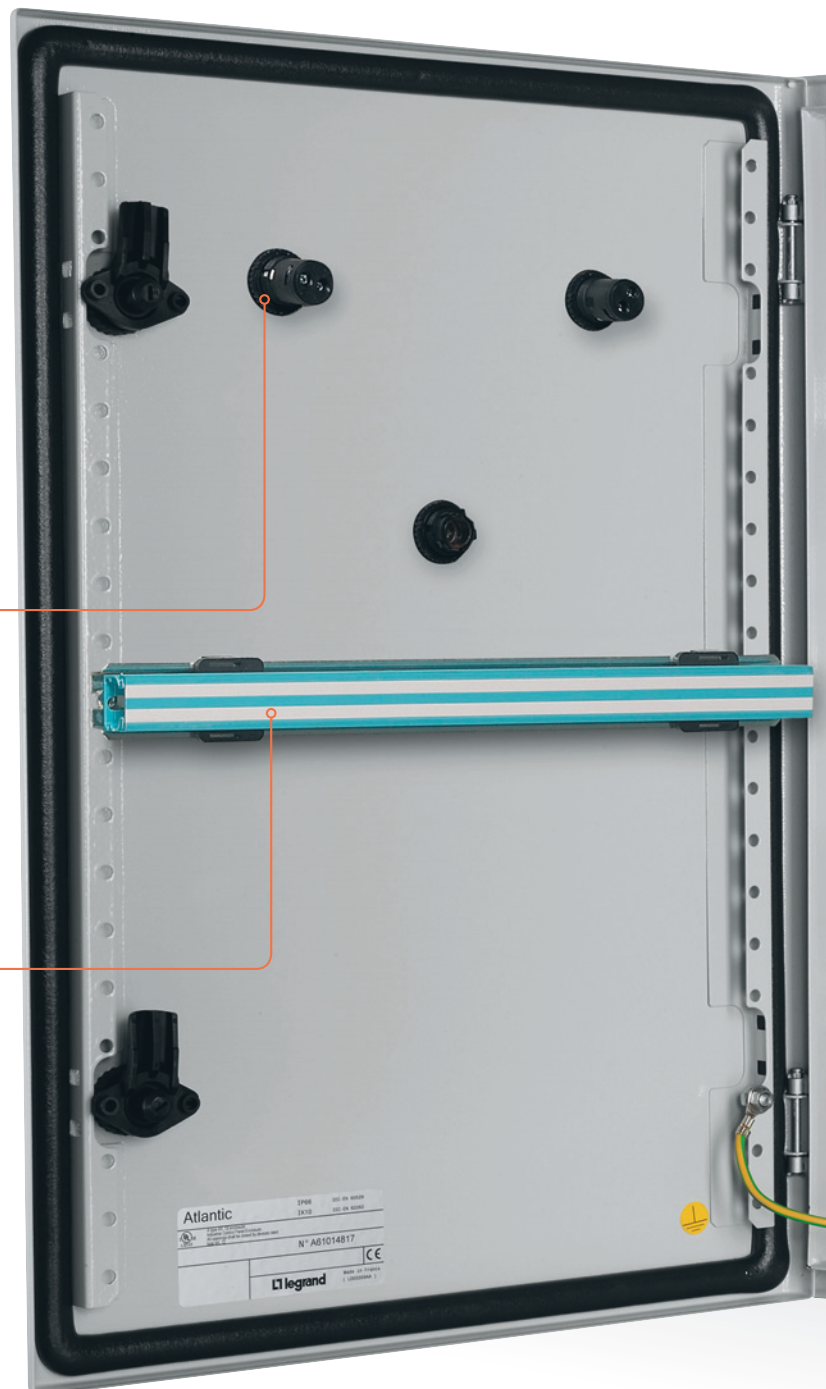
OSMOZ CONTROL AND SIGNALLING UNITS

Control and signalling functions can be easily incorporated into the cabinet.

LINA 25 DUCTING

Perforated ducting for cable management and protection.

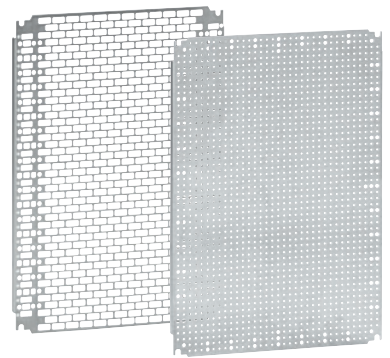
Linafix accessories can be used to fix cables to the door, sectioned uprights or plates (plain or perforated) and help save a considerable amount of installation time.





WALL MOUNTING LUGS

Set of 4 mounting lugs.
Capacity up to 300 kg
(to be ordered separately).



LINA 25 OR 12.5 PERFORATED PLATES

For direct fixing (in place of the plain plate supplied with the cabinet) for even quicker and easier equipment integration.

MODULAR CHASSIS

Ready to use chassis complete with uprights, rails and faceplates, for quick integration of modular equipment and a high-quality finish.

Also enables Viking 3 terminal blocks to be installed.

Atlantic stainless steel

Suitable
for harsh
environments

The stainless steel and food industry grade stainless steel ranges of Atlantic cabinets have **excellent resistance to corrosion and chemicals**, making them the ideal solution for environments with strict hygiene requirements.



ADVANTAGES

- > IP 66 weatherproof cabinets conforming to IEC/EN 60529
- > IK 10 conforming to IEC/EN 62262
- > Solid or glass door
- > Sizes ranging from 300x200x160 mm to 1400x800x400 mm
- > Finish: 304 L stainless steel (316 L stainless steel available on request)
- > Solution adapted to harsh environments (suitable for food processing, pharmaceutical, chemical, water treatment industries, etc.)
- > Dedicated accessories (stainless steel wall mounting lugs) or accessories common to the whole Atlantic metal range



& special food industry grade stainless steel



ADVANTAGES

- > IP 66 and IP 69 conforming to IEC/EN 60529
- > IK 10 conforming to IEC/EN 62262
- > Vertical version, 1 door
- > Sizes ranging from 400 x 300 x 200 mm to 1000 x 800 x 300 mm
- > Finish: 304 L stainless steel
- > Atlantic stainless steel food industry cabinets have a brushed finish which is ideal for this type of environment where there are strict hygiene requirements. **Their shape and design facilitate cleaning and prevent the build up of dust** (no inaccessible areas)
- > **Special design features for the food industry:**
 - inclined roof (30° angle)
 - blue silicone seals to identify it as a dedicated food cabinet
 - special food industry standard lock
 - wall-spacer brackets and stainless steel feet for easy cleaning access around the cabinet
- > **Common accessories** with the other Atlantic cabinets ranges



Atlantic, Atlantic stainless steel, Atlantic food industry cabinets and equipment selection chart

EXTERNAL DIMENSIONS				ATLANTIC CABINETS (p. 10)	ATLANTIC STAINLESS STEEL CABINETS (p. 14)	ATLANTIC FOOD INDUSTRY CABINETS (p. 15)		
				METAL IP 66 - IK 10 (1 door) IP 55 - IK 10 (2 doors) supplied with plain plate RAL 7035 RAL 7035 with glass door 	STAINLESS STEEL 304L IP 66 - IK 10 (1 door) IP 55 - IK 10 (2 doors) 304L 304L with glass door 	STAINLESS STEEL 304L - IP 66 IP 69 IK 10 		
Shapes	H (mm)	W (mm)	D (mm)					
	300	200	160	0 369 10 ⁽¹⁾		0 352 00 ³		
	400	300	160	0 369 12 ⁽¹⁾				
	500	400	160	0 369 13 ⁽¹⁾				
	400	300	200	0 369 17	0 369 27	0 352 01	0 352 21	0 352 34
	500	400	200	0 369 18	0 369 28	0 352 02	0 352 22	
	600	400	200	0 369 19	0 369 29	0 352 03	0 352 24	
	600	500	200	0 369 20				
	700	500	200	0 369 21				
	500	400	250	0 369 25				
	600	400	250	0 369 26	0 369 36	0 352 05	0 352 25	0 352 36
	700	500	250	0 369 30	0 369 40	0 352 06	0 352 26	
	800	600	250	0 369 31	0 369 41			
	1000	600	250	0 369 32				
	1000	800	250	0 369 33				
	800	600	300	0 369 37	0 369 47	0 352 11	0 352 31	0 352 38
	1000	600	300	0 369 38	0 369 48			
	1000	800	300	0 369 39	0 369 49	0 352 13	0 352 33	0 352 39
	1200	600	300	0 369 42				
	1200	800	300	0 369 43		0 352 14	0 352 76	
	800	600	400	0 369 44				
1000	800	400	0 369 45					
1200	800	400	0 369 46	0 369 56				
1400	800	400	0 369 50	0 369 60				
	300	300	160	0 369 51 ⁽¹⁾				
	300	300	200	0 369 55				
	400	400	200	0 369 57				
	500	500	200	0 369 59				
	500	500	250	0 369 62		0 352 55	0 352 75	
	600	600	250	0 369 64	0 369 74			
	800	800	300	0 369 68				
	600	600	400	0 369 72				
	300	400	160	0 369 11 ⁽¹⁾				
	300	400	200	0 369 75				
	400	600	200	0 369 76				
	400	600	250	0 369 77				
	600	800	300	0 369 78 ⁽²⁾				
	600	1000	300	0 369 79 ⁽²⁾				
800	1000	300	0 369 80 ⁽²⁾					
1000	1200	300	0 369 81 ⁽²⁾					

1: Without cable entries plate - 2: 2 doors - 3: Supplied with plain plate - 4: Usable area: 800 x 640 mm - 5: Crosspieces to be cut (2 m height) can be used for cabinets width 1000 and 1200 (see p. 18)

EQUIPMENT (p. 16)											
Plain plates	Lina 12.5 plates	Perforated plates Lina 25	Sectioned uprights Lina 25	Crosspieces rails	Insulated modular chassis	Metal internal doors	Insulating internal doors (+ Cat.No 0 363 69 for mounting on Atlantic metal cabinets)	Roofs	Plinths	IP 55 Cabstop plate Direct mounting on Atlantic cabinet opening ⁽⁶⁾	
0 360 49 ^(M) 0 360 50 ^(A)	0 360 00 ^(A) 0 360 01 ^(M)	0 360 07 ^(A) 0 360 99 ^(M)	0 361 50 ^(A)								
0 360 52	0 360 04	0 360 12	0 361 51	0 367 80		0 363 15 ^(A)	0 363 59 ^{(A)(M)}				
0 360 55	0 360 09	0 360 15	0 361 52	0 367 81		0 363 16 ^(A)	0 363 60 ^(A)				
0 360 52	0 360 04	0 360 12	0 361 51	0 367 80	0 361 01 ⁽⁷⁾	0 363 15 ^{(A)(7)}	0 363 59 ^{(A)(M)(7)}	0 365 51 ^{(A)(7)}		0 364 94	
0 360 55	0 360 09	0 360 15	0 361 52	0 367 81	0 361 02	0 363 16 ^(A)	0 363 60 ^{(A)(M)}	0 365 52 ^(A)		0 364 95	
0 360 56	0 360 22	0 360 16	0 361 53	0 367 81		0 363 17 ^(A)	0 363 61 ^{(A)(M)}	0 365 52 ^(A)		0 364 95	
0 360 84			0 361 53	0 367 82				0 365 67 ^(A)		0 364 95	
0 360 58	0 360 31	0 360 18	0 361 54	0 367 82		0 363 18 ^(A)	0 363 62 ^{(A)(M)}	0 365 67 ^(A)		0 364 95	
0 360 55	0 360 09	0 360 55	0 361 52	0 367 81		0 363 16 ^(A)	0 363 60 ^{(A)(M)}	0 365 53 ^{(A)(7)}		0 364 95	
0 360 56	0 360 22	0 360 16	0 361 53	0 367 81	0 361 03 ⁽⁷⁾	0 363 17 ^(A)	0 363 61 ^{(A)(M)(6)}	0 365 53 ^{(A)(7)}		0 364 95	
0 360 58	0 360 31	0 360 18	0 361 54	0 367 82	0 361 05	0 363 18 ^(A)	0 363 62 ^{(A)(M)}	0 362 93 ^(M) 0 365 64 ^(A)		0 364 96	
0 360 59	0 360 33	0 360 19	0 361 55	0 367 83		0 363 19 ^(A)	0 363 63 ^{(A)(M)}	0 365 54 ^(A)		0 364 97	
0 360 54	0 360 40	0 360 23	0 361 56	0 367 83		0 363 20 ^(A)		0 365 54 ^(A)		0 364 97	
0 360 61	0 360 42	0 360 21	0 361 56	0 367 84		0 363 21 ^(A)	0 363 63 ^{(A)(M)}			0 364 97	
0 360 59	0 360 33	0 360 19	0 361 55	0 367 83	0 361 06 ⁽⁷⁾	0 363 19 ^(A)	0 363 63 ^{(A)(M)(7)}	0 362 94 ^(M) 0 365 56 ^{(A)(7)}	0 362 91 ^(M) 0 363 00 ^{(A)(7)}	0 364 97	
0 360 54	0 360 40	0 360 23	0 361 56	0 367 83		0 363 20 ^(A)		0 365 56 ^(A)	0 363 00 ⁽⁷⁾	0 364 97	
0 360 61	0 360 42	0 360 21	0 361 56	0 367 84	0 361 09 ⁽⁷⁾	0 363 21 ^(A)	0 363 64 ^{(A)(M)(7)}	0 362 95 ^(M) 0 365 57 ^{(A)(7)}	0 362 92 ^(M) 0 363 01 ⁽⁷⁾	0 364 97	
0 360 85			0 361 58	0 367 83		0 363 22 ^(A)			0 363 00	0 364 97	
0 360 64	0 360 46	0 360 87	0 361 58	0 367 84	0 361 10	0 363 23 ^(A)	0 363 65 ^{(A)(M)}	0 362 95 ^(M) 0 365 57 ^(A)	0 362 92 0 363 01	0 364 97	
0 360 59	0 360 33	0 360 19	0 361 55	0 367 83		0 363 19 ^(A)	0 363 63 ^{(A)(M)}	0 365 56 ^(A)		0 364 97	
0 360 61	0 360 42	0 360 21	0 361 56	0 367 84		0 363 21 ^(A)	0 363 63 ^{(A)(M)}			0 364 97	
0 360 64	0 360 46	0 360 87	0 361 58	0 367 84		0 363 23 ^(A)	0 363 65 ^{(A)(M)(4)}			0 364 97	
0 360 67	0 360 75	0 360 90	0 361 59	0 367 84						0 364 97	
0 360 69	0 360 02	0 360 91	0 361 50	0 367 80							
0 360 69	0 360 02	0 360 91	0 361 50	0 367 80				0 365 51 ^(A)		0 364 94	
0 360 70	0 360 05	0 360 92	0 361 51	0 367 81				0 365 52 ^(A)		0 364 95	
0 360 71	0 360 14	0 360 93	0 361 52	0 367 82				0 365 67 ^(A)		0 364 95	
0 360 71	0 360 14	0 360 93	0 361 52	0 367 82				0 365 64		0 364 96	
0 360 57	0 360 24	0 360 17	0 361 53	0 367 83				0 365 54 ^(A)		0 364 97	
0 360 60	0 360 34	0 360 20	0 361 55	0 367 84				0 365 57 ^(A)	0 363 01	0 364 97	
0 360 57	0 360 24	0 360 17	0 361 53	0 367 83						0 364 97	
0 360 52	0 360 04	0 360 11	0 361 50	0 367 81							
0 360 52	0 360 04	0 360 11	0 361 50	0 367 81				0 365 52 ^(A)		0 364 95	
0 360 56	0 360 22	0 360 13	0 361 51	0 367 83				0 365 68 ^(A)		0 364 95	
0 360 56	0 360 22	0 360 13	0 361 51	0 367 83				0 365 54 ^(A)		0 364 97	
0 360 59	0 360 33	0 360 06	0 361 53	0 367 84				0 365 57 ^(A)	0 363 01	0 364 97	
0 360 54	0 360 40	0 360 08	0 361 53	⁽⁵⁾						2 x 0 364 96	
0 360 61	0 360 42	0 360 94	0 361 55	⁽⁵⁾						2 x 0 364 96	
0 360 65	0 360 47	0 360 10	0 361 56	⁽⁵⁾						2 x 0 364 97	

ADDITIONAL PRODUCTS


Accessories for Atlantic food industry cabinets
(p. 15)



Hinged glass doors
(p. 18)



Kit Cat.No 0 364 98 for mounting Cabstop plate on plain surface
(p. 11)



Document holders
(p. 18)



19" wall mounting chassis
(p. 18)



Locking accessories
(p. 20)

6: Use kit Cat.No 0 364 98 (p. 11) for direct mounting on Marina cabinets - 7: Except for Atlantic food industry cabinets - (A) For Atlantic - (M) For Marina

Atlantic metal cabinets supplied with plain plate

IP 55/IP 66 - IK 10 - Type 4x - Type 12



0 369 19



0 369 28



0 369 79



0 355 53

Cabinet and equipment selection chart **p. 8-9**
 Technical characteristics **p. 12**

IP 66 according to standards IEC EN 60529 for 1-door cabinets - IP 55 according to standards IEC EN 60529 for 2-door cabinets
 IK 10 according to standards IEC EN 62262

LCIE 17 07 90 10A

Type 4x, 1 door, Type 12, 2 doors - cULus, Bureau Veritas

EMC attenuation 20 dB (for an EMC attenuation from 40 to 50 dB at 1 GHz, please consult us)

Excellent resistance to corrosion and chemical agents

80 µm thick textured polyester coating. Anti-corrosion treatment for hinges and pins

Reversible door - Fitted with lever

Supplied with plain plate - Double bar lock - Self-centering positioning system for the equipment

Compatible with all Atlantic accessories

Low cable entries RAL 7035 - Optional depth adjustment for cabinets 400 mm depth, with slide rails Cat.No 0 367 45 (p. 11)

Pack	Cat.Nos		Metal cabinets		
			Vertical version		
	Metal door	Glass door	External dimensions (mm) Height x Width x Depth	Number of doors	Weight (kg)
1	0 369 10 ¹		300 x 200 x 160	1	3.9
1	0 369 12 ¹		400 x 300 x 160	1	6.3
1	0 369 13		500 x 400 x 160	1	10.3
1	0 369 17	0 369 27	400 x 300 x 200	1	6.9
1	0 369 18	0 369 28	500 x 400 x 200	1	11.2
1	0 369 19	0 369 29	600 x 400 x 200	1	13
1	0 369 20		600 x 500 x 200	1	16.8
1	0 369 21		700 x 500 x 200	1	20.3
1	0 369 25		500 x 400 x 250	1	13.2
1	0 369 26	0 369 36	600 x 400 x 250	1	14
1	0 369 30	0 369 40	700 x 500 x 250	1	23.8
1	0 369 31	0 369 41	800 x 600 x 250	1	30.9
1	0 369 32		1000 x 600 x 250	1	44.5
1	0 369 33		1000 x 800 x 250	1	49.5
1	0 369 37	0 369 47	800 x 600 x 300	1	32
1	0 369 38	0 369 48	1000 x 600 x 300	1	45
1	0 369 39	0 369 49	1000 x 800 x 300	1	56.9
1	0 369 42		1200 x 600 x 300	1	50.4
1	0 369 43		1200 x 800 x 300	1	67
1	0 369 44		800 x 600 x 400	1	41.6
1	0 369 45		1000 x 800 x 400	1	63.5
1	0 369 46	0 369 56	1200 x 800 x 400	1	73.6
1	0 369 50	0 369 60	1400 x 800 x 400	1	81.6
			Square version		
1	0 369 51 ¹		300 x 300 x 160	1	4.8
1	0 369 55		300 x 300 x 200	1	5.6
1	0 369 57		400 x 400 x 200	1	8.7
1	0 369 59		500 x 500 x 200	1	13.6
1	0 369 62		500 x 500 x 250	1	15.2
1	0 369 64	0 369 74	600 x 600 x 250	1	22.8
1	0 369 68		800 x 800 x 300	1	48
1	0 369 72		600 x 600 x 400	1	33.5
			Horizontal version		
1	0 369 11 ¹		300 x 400 x 160	1	6.2
1	0 369 75		300 x 400 x 200	1	6.9
1	0 369 76		400 x 600 x 200	1	13
1	0 369 77		400 x 600 x 250	1	14
1	0 369 78		600 x 800 x 300	2	38.4
1	0 369 79		600 x 1000 x 300	2	47.4
1	0 369 80		800 x 1000 x 300	2	59.7
1	0 369 81		1000 x 1200 x 300	2	85.7

Pack	Cat.Nos	Roofs RAL 7035		
		Steel		
		Possible adjustment ± 20 mm (front or back)		
		For cabinets		
		Width (mm)	Depth (mm)	Weight (kg)
1	0 365 51	300	200	1.2
1	0 365 52	400	200	1.4
1	0 365 67	500	200	1.8
1	0 365 68	600	200	2.1
1	0 365 53	400	250	1.8
1	0 365 64	500	250	2
1	0 365 54	600	250	2.5
1	0 365 56	600	300	3
1	0 365 57	800	300	3.6
		Lighting kit		
1	0 363 12	Supplied with 8 W fluorescent tube, Ø16 mm 230 V - 50 Hz Class I - IP 20 - 600 lumens Electromagnetic compatibility according to EN 55015 Equipped with a switch Connection on terminal block Dim.: 320 x 61 x 32 mm		
		Plinths RAL 7021		
		Height 200 mm Front and rear trap door		
		For cabinets		
		Width (mm)	Depth (mm)	Weight (kg)
1	0 363 00	600	300	6
1	0 363 01	800	300	6.7

1: With no opening

Door contact
p. 18

Lina 12.5 and Lina 25 perforated plates, **p. 16**



Equipment for Atlantic metal cabinets



0 363 17



Cabstop plate Cat.No 0 364 96 and mounting kit Cat.No 0 364 98 on enclosure Cat.No 0 369 43



0 367 35 with rail Cat.No 0 367 82 (p. 16)



0 347 95



Touch-up brush 0 365 91



0 364 01



0 329 47



0 329 46



0 364 04

Cabinet and equipment selection chart **p. 8-9**
 Technical characteristics **p. 12**

Pack	Cat.Nos	Metallic internal doors			
		Metallic internal doors RAL 7035 For direct mounting in Atlantic metal and stainless steel cabinets IPXXB Reversible door with captiv hinge pins Double bar lock Can be equipped with other key barrels and metal rebate locks. Distance between cabinet door and internal door: 55 mm			
		For cabinets (mm) Height x Width	Dimensions (mm) Height x Width	Usable dimensions (mm) Height x Width	
1	0 363 15	400 x 300	334 x 248	235 x 155	
1	0 363 16	500 x 400	434 x 348	335 x 255	
1	0 363 17	600 x 400	534 x 348	435 x 255	
1	0 363 18	700 x 500	634 x 448	535 x 355	
1	0 363 19	800 x 600	734 x 548	635 x 455	
1	0 363 20	1000 x 600	934 x 548	835 x 455	
1	0 363 21	1000 x 800	934 x 748	835 x 655	
1	0 363 22	1200 x 600	1134 x 548	1035 x 555	
1	0 363 23	1200 x 800	1134 x 748	1035 x 655	
		Cabstop open-work plate IP 55 Cable entries consisting of a cable clamp providing the mechanical grip, and elastomer areas for weatherproofing Can be pierced using the cable (no tool required) Fits the cable perfectly Replacement of a cable possible Fire retardant polypropylene RAL 7035 2 possibilities of mounting: - direct on cable entry of Atlantic or Marina cabinets - on flat surface with kit Cat.No 0 364 98 Supplied with: - locking caps for sealing a pierced entry providing IP 55 protection - cable release tool			
		Number of entries Ø5 to 14	Number of entries Ø14 to 24	Number of spare entries	Direct mounting on cable entry of cabinet width (mm)
1	0 364 94	13	1	-	300
1	0 364 95	13	1	1	400
1	0 364 96	28	2	1	500-1000
1	0 364 97	28	2	2	600-800-1200
1	0 364 98	Kit for mounting Cabstop plate on plain plate Enables mounting of 2 Cabstop plates: Cat.Nos 0 364 94 or 95 and 0 364 96 or 97 IP 55 maintained			

Pack	Cat.Nos	Cable entries for Atlantic cabinets 600 or 800 mm width		
1	0 329 46	IP 43 cable entry plate with brush (cable feed-through 385 x 30 mm)		
1	0 329 47	IP 55 multi-entry cable entry plate with cable glands Supplied with 12 ISO 32 cable glands The cable glands take 4 UTP/FTP/SFTP cables (Ø6.5 to 9.5 mm) per cable gland Cords with connectors can be fed through without having to dismantle the cable gland Usable interior Ø25.5 mm Supplied with blanking plates for unused entries		
		Protective conductor Earth braid		
		Capacity (mm ²)	Fixing spacing (mm)	Ø of holes (mm)
20	0 347 95	6	200	8.5
20	0 347 96	16	200	8.5
10	0 347 97	30	200	8.5
20	0 363 95	6	200	6.5
		Green/yellow wire		
		Paint touch-up Aerosol paint spray RAL 7035 Touch-up brush For protecting the sheet metal after cutting Anti-corrosion paint		
10	0 365 91	RAL 7035 Other colours on request		
		Temporary marking Water-soluble marker pen		
10	0 395 99			
		Accessories Set of 4 slide rails for depth adjustment For 250 mm depth cabinets (starting with 600 mm width x 600 mm height cabinets)		
1	0 367 43			
1	0 367 44	For 300 mm depth cabinets		
1	0 367 45	For 400 mm depth cabinets		
		Wall-mounting lugs (set of 4) For load up to 300 kg Horizontal or vertical installation With a roof, horizontal installation only Zamak RAL 7035 Supplied with cover finish		
1	0 364 01			
		For load up to 300 kg Horizontal or vertical installation Anti-corrosion steel treatment		
1	0 364 04			
		Set of 2 attachment lugs for rail		
5	0 367 35	Supplied with M6 screws Used to attach the 15 mm depth symmetric rail on door profile strand-holder		

Atlantic metal cabinets supplied with plain plate

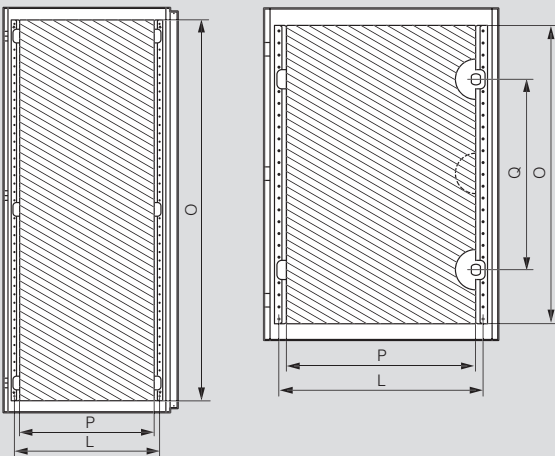
IP 55/IP 66 - IK 10 - Type 4x - Type 12

Usable dimensions

Doors

2 doors

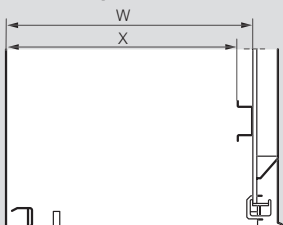
1 door



Cat.Nos	Cabinets		Door usable dimensions		Lock positions Q (mm)	Strand-holder fixing centres L (mm)
	Height (mm)	Width (mm)	Height O (mm)	Width P (mm)		
0 369 10	300	200	251	148 ⁽³⁾	(1)	(2)
0 369 17/12/27	400	300	351	248 ⁽³⁾	(1)	(2)
0 369 13/18/28	500	400	451	300	(1)	330
0 369 19/26/29/36	600	400	551	300	350	330
0 369 20	600	500	551	400	350	430
0 369 21/30/40	700	500	651	400	400	430
0 369 25	500	400	451	300	(1)	330
0 369 31/37/41/44/47	800	600	751	500	500	530
0 369 32/38/48	1000	600	951	500	(1)	530
0 369 33/39/45/49	1000	800	951	700	(1)	730
0 369 42	1200	600	1151	500	(1)	530
0 369 43/46/56	1200	800	1151	700	(1)	730
0 369 50/60	1400	800	1351	700	(1)	730
0 369 51/55	300	300	251	248 ⁽³⁾	(1)	(2)
0 369 57	400	400	351	348 ⁽³⁾	(1)	(2)
0 369 59/62	500	500	451	400	(1)	430
0 369 64/72/74	600	600	551	500	350	530
0 369 68	800	800	751	700	500	730
0 369 11/75	300	400	251	348 ⁽³⁾	(1)	(2)
0 369 76/77	400	600	351	500	(1)	530
0 369 78	600	800	551	300 x 2	(1)	330
0 369 79	600	1000	551	400 x 2	(1)	430
0 369 80	800	1000	751	400 x 2	(1)	430
0 369 81	1000	1200	951	500 x 2	(1)	530

- 1: Central lock
- 2: Without strand-holder
- 3: -12 mm on the side with "Legrand" marking

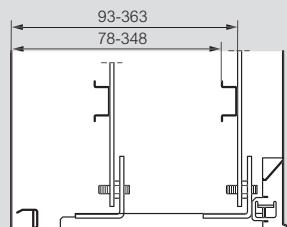
Usable depth



Cabinets Depth (mm)	Back of cabinet	
	W (mm)	X (mm)
160	140	125
200	180	165
250	230	215
300	280	265
400	380	365

Adjustment of equipment (optional) with slide rails

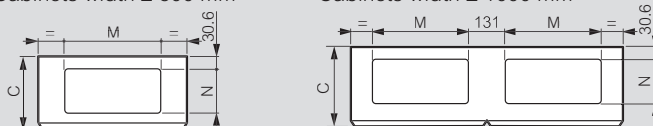
Cat.No 0 367 45 for 400 mm depth cabinets



Cable entries

Cabinets width ≤ 800 mm

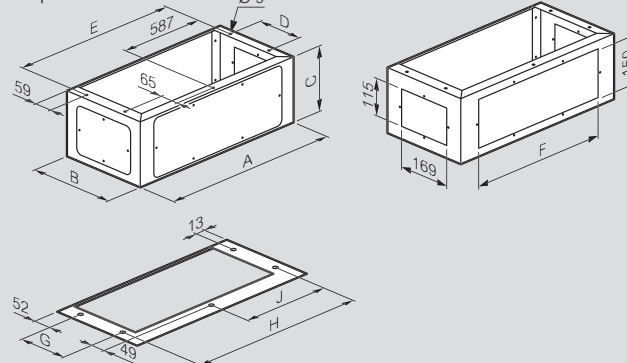
Cabinets width ≥ 1000 mm



Cabinets (mm)		Dimensions of cable entries (mm)		
Width	Depth	C	M	N
200	160	170	-	-
300	160	170	-	-
400	160	170	-	-
300	200	210	169	115
400	200	210	269	115
400	250	260	269	115
500	200	210	269	115
600	200	210	269	115
500	250	260	369	150
500	300	310	369	150
600	250	260	469	150
600	300	310	469	150
600	400	410	469	150
800	250	260	469	150
800	300	310	469	150
800	400	410	469	150
1000	300	310	369	150
1200	300	310	469	150

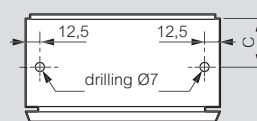
Plinths

Trap doors



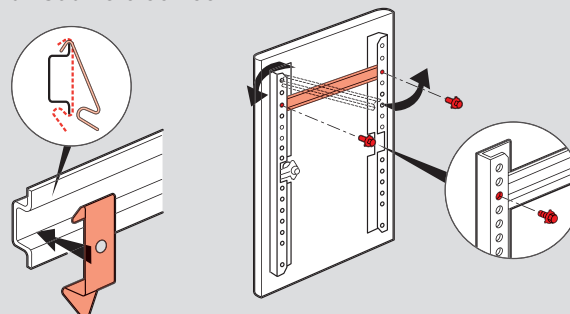
Cat.Nos	Cabinets W x D (mm)	A	B	C	D	E	F	G	H	J
0 363 00	600 x 300	600	280	200	150	574	469	150	542	271
0 363 01	800 x 300	800	280	200	150	774	469	150	742	371

Roofs fixing



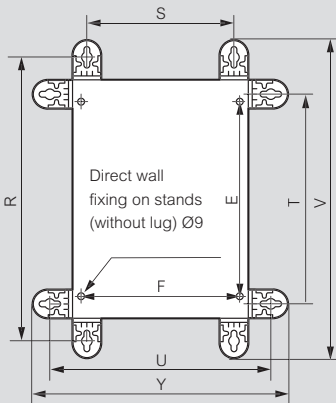
Cat.Nos	C (mm)
0 365 51/52/67/69	100
0 365 53/54/64	125
0 365 56/57	150

Fixing on door of a symmetrical rail depth 15 mm with Cat.No 0 367 35

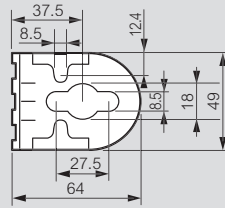


Usable dimensions

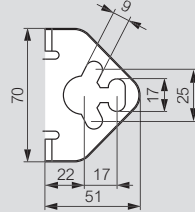
Fixing



Cat.No 0 364 01



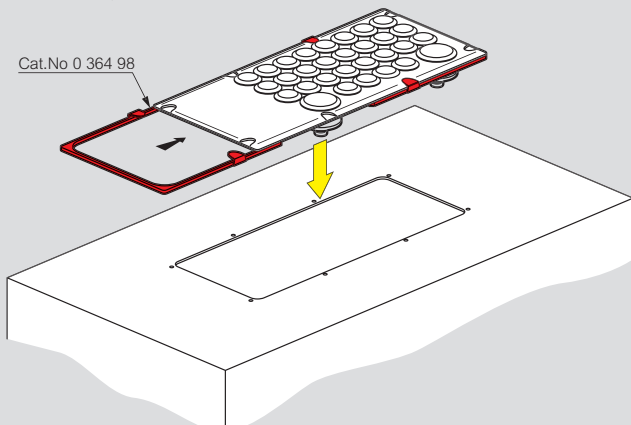
Cat.No 0 364 04



Cabinets		Vertical lugs		Mounting centres		Horizontal lugs		Mounting centres		Overall 0 364 01		Overall 0 364 04	
H (mm)	W (mm)	R (mm)	S ⁽¹⁾ (mm)	E (mm)	T ⁽¹⁾ (mm)	U (mm)	F (mm)	V (mm)	Y (mm)	V (mm)	Y (mm)	V (mm)	Y (mm)
300	200	375	150	225	250	275	169	430	330	402	302		
300	300	375	250	225	250	375	269	430	430	402	402		
300	400	375	350	225	250	475	369	430	530	402	502		
400	300	475	250	325	350	375	269	530	430	502	402		
400	400	475	350	325	350	475	369	530	530	502	502		
400	600	475	550	325	350	675	569	530	730	502	702		
500	400	575	350	425	450	475	369	630	530	602	502		
500	500	575	450	425	450	575	469	630	630	602	602		
600	400	675	350	525	550	475	369	730	530	702	502		
600	500	675	450	525	550	575	469	730	630	702	602		
600	600	675	550	525	550	675	569	730	730	702	702		
600	800	675	750	525	550	875	769	730	930	702	902		
600	1000	675	950	525	550	1075	969	730	1130	702	1102		
700	500	775	450	625	650	575	469	830	630	802	602		
800	600	875	550	725	750	675	569	930	730	902	702		
800	800	875	750	725	750	875	769	930	930	902	902		
800	1000	875	950	725	750	1075	969	930	1130	902	1102		
1000	600	1075	550	925	950	675	569	1130	730	1102	702		
1000	800	1075	750	925	950	875	769	1130	930	1102	902		
1000	1200	1075	1150	925	950	1275	1169	1130	1330	1102	1302		
1200	800	1275	750	1125	1150	875	769	1330	930	1302	902		
1400	800	1475	750	1325	1350	875	769	1530	930	1502	902		

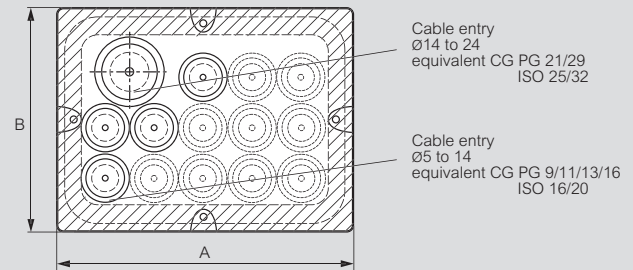
1: Same mounting centres for Cat.Nos 0 364 01 and 0 364 04

Assembly kit on plane surface for Cabstop plate



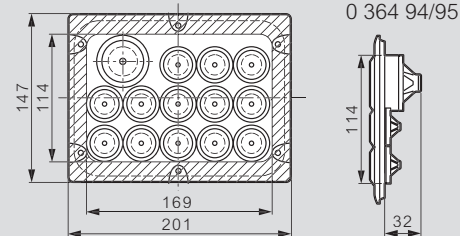
Cabstop plate

- Tensile resistance: 15 kg minimum
- Operating temperature: - 20 °C to + 65 °C
- ASTM No 3 resistance to cutting oil
- Resistance to incandescent wire: 750 °C according to IEC EN 60695-2-11

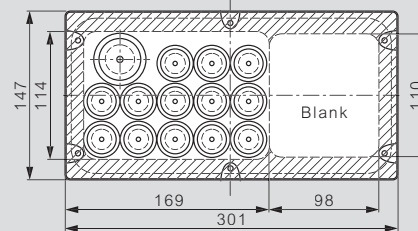


Dimensions

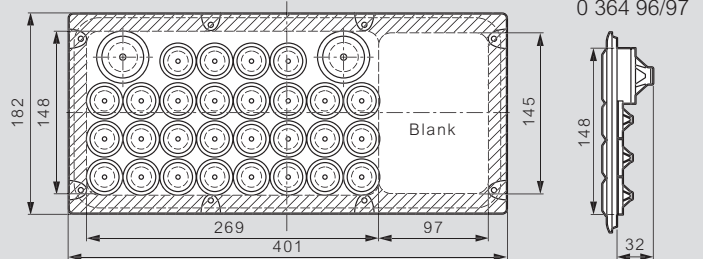
Cat.No 0 364 94



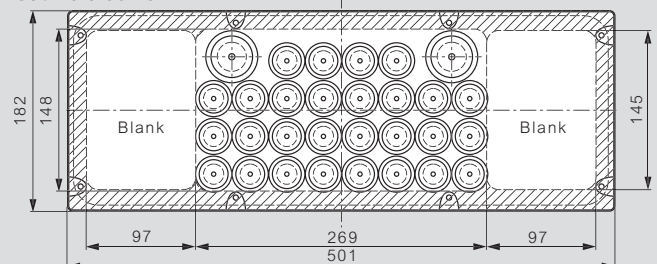
Cat.No 0 364 95



Cat.No 0 364 96



Cat.No 0 364 97



Atlantic stainless steel cabinets

304 L



Wall mounting lugs, horizontal or vertical installation



0 352 01 + 0 364 06



0 352 21

Cabinet and equipment selection chart p. 8-9

Suitable for harsh environments. Brushed stainless steel finish
 Door with rounded vertical edges.
 Double bar lock. Upper and lower protective hoods.
 Reversible cabinet. Self-centering positioning system for the equipment
 Optional depth adjustment starting from 600 x 400 x 250 mm cabinets, with slide rails Cat.Nos 0 367 43/44/45 (p. 11)
 Excellent resistance to corrosion and weather conditions
 Compatible with all Atlantic & Atlantic stainless steel accessories

Pack	Cat.Nos	Stainless steel cabinets 304L			
		IP 66 according to standards IEC/EN 60529 (IP 55 for 2-door cabinets). IK 10 according to standards IEC/EN 62262 (EN 50102) Approvals: cULus: type 4x (type 12 for 2-door cabinets) Bureau Veritas, LCIE N° 80257-575296			
		Vertical version - 1 door			
		External dimensions			
		Height (mm)	Width (mm)	Depth (mm)	Weight (kg)
		300	200	160	4
1	0 352 00 ¹	400	300	200	5.8
1	0 352 01	500	400	200	8.3
1	0 352 02	600	400	200	10.8
1	0 352 03	600	400	250	12
1	0 352 05	700	500	250	15
1	0 352 06	800	600	300	22
1	0 352 11	1000	800	300	38
1	0 352 13	1200	800	300	45
1	0 352 14	1400	800	400	66
1	0 352 15				
		Vertical version - 2 doors			
		Closing by 3-point locking system Door handle with key barrel No 2433 A (other key barrels available on request) Left-hand door condemned by 2-point locking system: central handle fixed on the inner side of the door			
		External dimensions			
		Height (mm)	Width (mm)	Depth (mm)	Weight (kg)
1	304 L 0 352 16	1200	1000	300	58
		Square version			
		400	400	200	7
1	0 352 07	600	600	250	15.5
1	0 352 09	800	800	300	28
		Vertical version			
		300	400	200	6
1	0 352 04	400	600	250	12

Stainless steel wall mounting lugs

For load up to 300 kg
 Horizontal or vertical installation
 Supplied with stainless steel screws
 Set of 4
 304 L

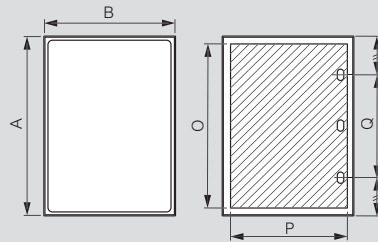
1 0 364 06

Atlantic stainless steel cabinets

technical characteristics

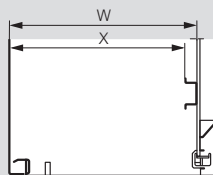
Usable dimensions

Doors

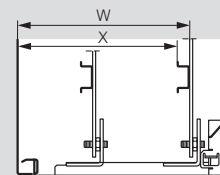


Cat.Nos	Cabinets			Door usable dimensions		Lock position
	Height A (mm)	Width B (mm)	Depth (mm)	O (mm)	P (mm)	Q (mm)
0 352 00	301.6	199.6	161.5	250	150	-
0 352 01/21	401.6	299.6	201.5	350	250	-
0 352 02/22	501.6	399.6	201.5	450	350	250
0 352 03	601.6	399.6	201.5	550	350	380
0 352 04	301.6	399.6	201.5	250	350	-
0 352 05/25	601.6	399.6	251.5	550	350	380
0 352 06/26	702.4	500	251.5	650	450	400
0 352 07	399.6	399.6	201.5	350	350	200
0 352 08	401.6	600	251.5	350	550	200
0 352 09	601.6	600	251.5	550	550	300
0 352 11/31	802.4	600	301.5	750	550	400
0 352 12	802.4	800.6	301.5	750	750	400
0 352 13/33	1003.6	800.6	301.5	950	750	600
0 352 14	1203.6	800.6	301.5	1150	750	700
0 352 15	1400.6	800.6	401.5	1350	750	700
0 352 16	1200.6	1000.6	301.5	1150	400 x 2	-

Usable depth



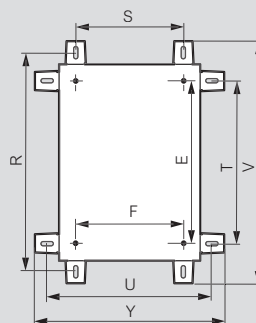
Adjustment of equipment (optional)



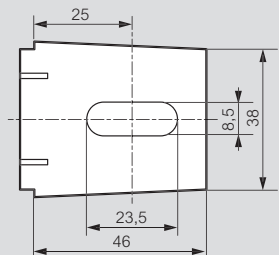
Cabinets	Back of cabinet	
	Depth (mm)	W X
160	140	125
200	180	165
250	230	215
300	280	265
400	380	365

Cabinets	Cat.Nos for slide rails	With slide rails			
		Depth (mm)	W	X	
250	0 367 43	93	213	78	198
300	0 367 44	93	263	78	248
400	0 367 45	93	363	78	348

Fixing



Cat.Nos 0 364 06/16



Cat.Nos	Vertical position		Horizontal position		V	Y	E	F
	R	S	T	U				
0 352 00	350	150	250	250	392	292	225	169
0 352 01/21	450	250	350	350	492	392	325	269
0 352 02/22	550	350	450	450	592	492	425	369
0 352 03	650	350	550	450	692	492	525	369
0 352 04	350	350	250	450	392	492	225	369
0 352 05/25	650	350	550	450	692	492	525	369
0 352 06/26	750	450	650	550	792	592	625	469
0 352 07	450	350	350	450	492	492	325	369
0 352 08	450	550	350	650	492	692	325	569
0 352 09	650	550	550	650	692	692	525	569
0 352 11/31	850	550	750	650	892	692	725	569
0 352 12	850	750	750	850	892	892	725	769
0 352 13/33	1050	750	950	850	1092	892	925	769
0 352 14	1250	750	1150	850	1292	892	1125	769
0 352 15	1450	750	1350	850	1492	892	1325	769
0 352 16	1250	950	1150	1050	1292	1092	1125	969

Atlantic food industry stainless steel cabinets



Stainless steel door lock for food industry

0 352 36



0 364 10
Stainless steel wall mounting lugs

0 352 36 + 0 364 11

0 364 11

0 352 36 + 2 x 0 364 10

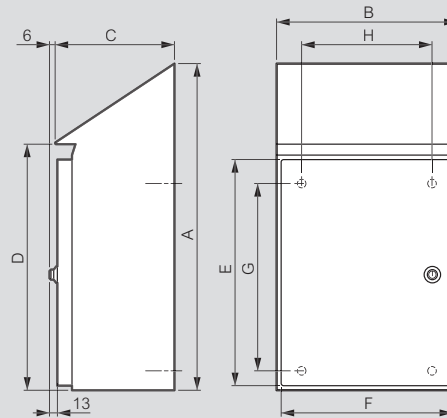
Selection chart p. 8-9

Hygienic Design: especially designed for food & beverage industry or other environments with high hygiene requirements
 Finish: brushed stainless steel
 Curved reversible door, stainless steel lock
 Roof angles forwards by 30° for improved door protection
 Supplied with one key
 Can be equipped with Atlantic & Atantic stainless steel accessories (lighting kit ...)

Pack	Cat.Nos	Enclosures - 304L stainless steel																													
		IP 66 according to EN/IEC 60529, IP 69 IK 10 according to EN/IEC 62262 (EN 50102) Vertical version, 1 door																													
		External dimensions/ Corresponding enclosure																													
		<table border="1"> <thead> <tr> <th></th> <th>Height (mm)</th> <th>Width (mm)</th> <th>Depth (mm)</th> <th>Weight (kg)</th> </tr> </thead> <tbody> <tr> <td>1</td> <td>0 352 34</td> <td>566/400</td> <td>312/300</td> <td>210/200</td> <td>6.5</td> </tr> <tr> <td>1</td> <td>0 352 36</td> <td>798/600</td> <td>412/400</td> <td>260/250</td> <td>12.5</td> </tr> <tr> <td>1</td> <td>0 352 38</td> <td>1031/800</td> <td>612/600</td> <td>310/300</td> <td>27.4</td> </tr> <tr> <td>1</td> <td>0 352 39</td> <td>1231/1000</td> <td>812/800</td> <td>310/300</td> <td>39</td> </tr> </tbody> </table>		Height (mm)	Width (mm)	Depth (mm)	Weight (kg)	1	0 352 34	566/400	312/300	210/200	6.5	1	0 352 36	798/600	412/400	260/250	12.5	1	0 352 38	1031/800	612/600	310/300	27.4	1	0 352 39	1231/1000	812/800	310/300	39
	Height (mm)	Width (mm)	Depth (mm)	Weight (kg)																											
1	0 352 34	566/400	312/300	210/200	6.5																										
1	0 352 36	798/600	412/400	260/250	12.5																										
1	0 352 38	1031/800	612/600	310/300	27.4																										
1	0 352 39	1231/1000	812/800	310/300	39																										
		Wall spacer brackets - 304L stainless steel																													
1	0 364 10	Set of 4 wall spacer brackets. Supplied with screws For load up to 125 kg Spacing between wall and enclosure: 75 mm Maximum spacing between wall and enclosure: 150 mm with 2 sets of wall spacer brackets Cat.No 0 364 10																													
		Adjustable feet - 304L stainless steel																													
1	0 364 11	Set of 4 feet. Supplied with screws For load up to 125 kg Adjustable height from 120 to 160 mm Adjustable tilt up to 10°																													

Atlantic food industry stainless steel cabinets

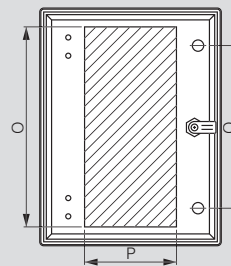
Dimensions Cabinet



Cat.No	Dimensions (mm)							
	Height A	Width B	Depth C	D	E	F	G	H
0 352 34	566	312	210 ⁽¹⁾	428	364	267	325	225
0 352 36	798	412	260 ⁽¹⁾	628	564	367	525	325
0 352 38	1031	612	310 ⁽¹⁾	828	764	566	725	525
0 352 39	1231	812	310 ⁽¹⁾	1028	964	766	925	725

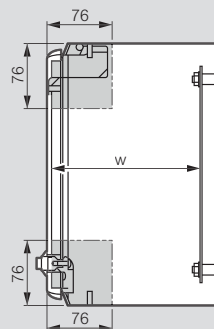
1: + 6 mm when equipped with lock

Door



Cat.No	Door usable area		Locking position
	O (mm)	P (mm)	Q (mm)
0 352 34	330	150	-
0 352 36	530	250	400
0 352 38	730	450	600
0 352 39	930	650	800

Usable depth

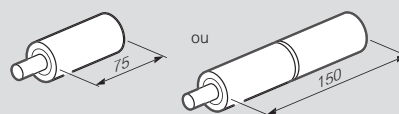


Enclosure depth (mm)	Back of enclosure W (mm)
200	179
250	229
300	279

Swivelling area of the hinge

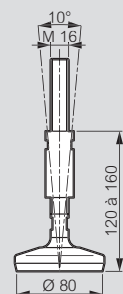
Wall spacer brackets

Cat.No 0 364 10



Adjustable feet

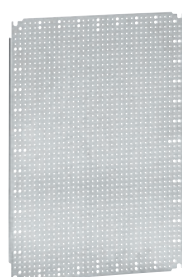
Cat.No 0 364 11



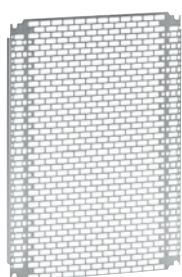
Atlantic, Atlantic stainless steel and food industry cabinets: plain plates and perforated plates



0 360 58



0 360 31



0 360 18



Lina 12.5 plate
Cat.No 0 360 22 vertical
mounting inside Atlantic
enclosure Cat.No 0 369 26



Lina 12.5 plate Cat.No 0 360 22
horizontal mounting inside Atlantic
enclosure Cat.No 0 369 77

Cabinet and equipment selection chart **p. 8-9**
Technical characteristics **p. 17**

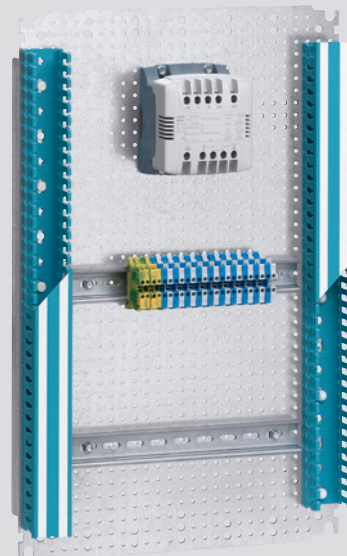
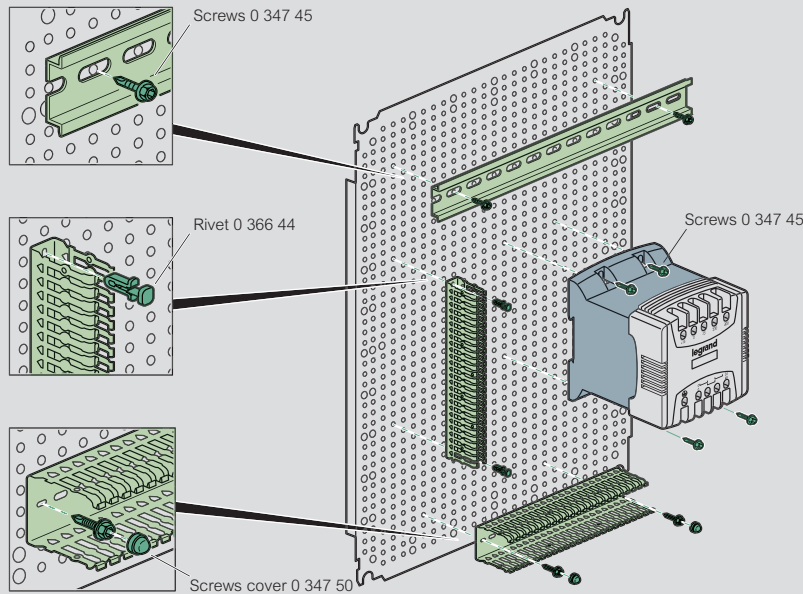
Pack	Cat.Nos	Plain plates				
		Galvanized steel			Horizontal mounting for cabinets	
		Vertical mounting for cabinets			Height (mm)	Width (mm)
		Height (mm)	Width (mm)	Weight (kg)		
1	0 360 50 ²	300	200	0.6		
1	0 360 49 ¹	300	220	0.9		
1	0 360 69	300	300	1		
1	0 360 52	400	300	1.3	300	400
1	0 360 70	400	400	1.7		
1	0 360 55	500	400	2.7		
1	0 360 71	500	500	3.5		
1	0 360 56	600	400	3.3	400	600
1	0 360 84	600	500	4.9		
1	0 360 57	600	600	6.2		
1	0 360 54	600	1000	10.6	1000	600
1	0 360 58	700	500	6		
1	0 360 59	800	600	8.4	600	800
1	0 360 60	800	800	11.4		
1	0 360 61	800	1000	14.4	1000	800
1	0 360 85	1200	600	12.1		
1	0 360 64	1200	800	18.5		
1	0 360 65	1200	1000	23	1000	1200
1	0 360 67 ²	1400	800	26.4		

Pack	Cat.Nos	Lina 12.5 plates				
		Galvanized steel.				
		With drilling for fixing equipment without marking.				
		Automatic bracket:				
		- Ø6.5 mm for plastic rivet Cat.No 0 366 44 (trunking)				
		- Ø3.3 mm for equipment with screw Cat.No 0 347 45				
		Vertical mounting for cabinets			Horizontal mounting for cabinets	
		Height (mm)	Width (mm)	Weight (kg)	Height (mm)	Width (mm)
1	0 360 00 ²	300	200	0.4		
1	0 360 01 ¹	300	220	0.47		
1	0 360 02	300	300	0.6		
1	0 360 04	400	300	0.8	300	400
1	0 360 05	400	400	1.1		
1	0 360 09	500	400	1.5		
1	0 360 14	500	500	1.85		
1	0 360 22	600	400	2.2	400	600
1	0 360 24	600	600	3.7		
1	0 360 40	600	1000	6.8	1000	600
1	0 360 31	700	500	3.7		
1	0 360 33	800	600	5.2	600	800
1	0 360 34	800	800	7		
1	0 360 42	1000	800	9.2	800	1000
1	0 360 46	1200	800	11.1		
1	0 360 47	1200	1000	13.9	1000	1200
1	0 360 75 ²	1400	800	13		

Pack	Cat.Nos	Lina 25 perforated plates	
		Galvanized steel	
		Common for all types of cabinets	
		For cabinets	Weight (kg)
		Height x Width (mm)	
1	0 360 07 ²	300 x 200	0.4
1	0 360 99 ¹	300 x 220	0.4
1	0 360 91	300 x 300	0.5
1	0 360 11	300 x 400	0.6
1	0 360 12	400 x 300	0.6
1	0 360 92	400 x 400	0.8
1	0 360 13	400 x 600	1.1
1	0 360 15	500 x 400	0.9
1	0 360 93	500 x 500	1.1
1	0 360 16	600 x 400	1.3
1	0 360 17	600 x 600	2.1
1	0 360 06	600 x 800	3.1
1	0 360 08	600 x 1000	3.7
1	0 360 18	700 x 500	2
1	0 360 19	800 x 600	3.1
1	0 360 20	800 x 800	4
1	0 360 94	800 x 1000	5
1	0 360 23	1000 x 600	3.7
1	0 360 21	1000 x 800	4.9
1	0 360 10	1000 x 1200	8.5
1	0 360 87	1200 x 800	7.1
1	0 360 88	1200 x 1000	8.5
1	0 360 90 ²	1400 x 800	7.8
		Clip-nuts for perforated plates	
		Supplied without screw	
100	0 364 40	For M4 screws	
100	0 364 41	For M5 screws	
100	0 364 42	For M6 screws	
		Accessories	
500	0 366 44	Rivet reinforced plastic Ø6 mm for drilling Ø6.5 mm	
100	0 347 45	Screw head 4.8 x 16 mm self-drilling, self-tapping for Ø3.3 mm	
200	0 347 50	Screw cover for isolation of screw head Cat.No 0 347 45 inside the trunking	

1: For Marina cabinets
2: For Atlantic

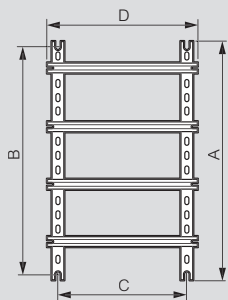
Atlantic, Atlantic stainless steel and food industry cabinets: plain plates and perforated plates



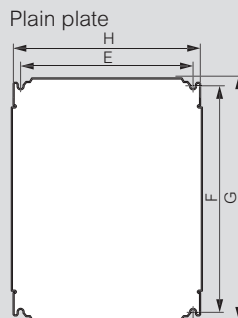
Fixing example on Lina 12.5 plate:
 - of a transformer with screws Cat.No 0 347 45
 - of a rail
 - of Lina 25 cable ducting

Dimensions

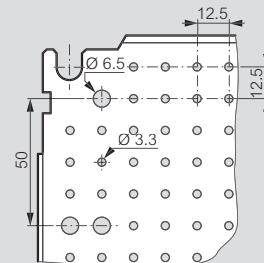
Assembled chassis with rails and Lina 25 uprights



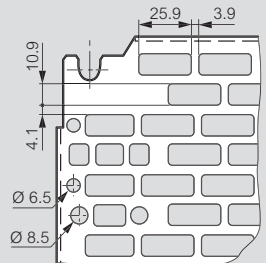
Lina 12.5 plain plates and Lina 25 perforated plates



Details Lina 12.5



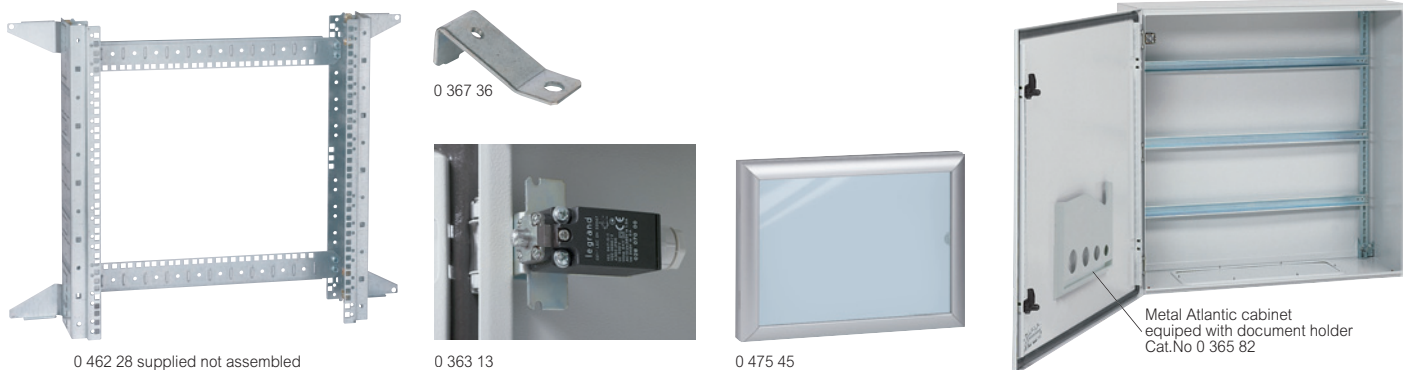
Details Lina 25 perforated plate



Dimensions of cabinets Height x Width (mm)	Uprights height A (mm)	Rail length D (mm)	Chassis fixing	
			B (mm)	C (mm)
300 x 200	237	143	225	125
300 x 300	237	243	225	225
300 x 400	237	343	225	325
400 x 300	337	243	325	225
400 x 400	337	343	325	325
400 x 600	337	543	325	525
500 x 400	437	343	425	325
500 x 500	437	443	425	425
600 x 400	537	343	525	325
600 x 500	537	443	525	425
600 x 600	537	543	525	525
600 x 800	537	743	525	725
600 x 1000	537	943	525	925
700 x 500	637	443	625	425
800 x 600	737	543	725	525
800 x 800	737	743	725	725
800 x 1000	737	943	725	925
1000 x 600	937	543	925	525
1000 x 800	937	743	925	725
1000 x 1200	937	1143	925	1125
1200 x 600	1137	543	1125	525
1200 x 800	1137	743	1125	725
1200 x 1000	1137	943	1125	925
1400 x 800	1337	743	1325	725

Cabinets dimensions Height x Width (mm)	Dimensions of plates Plain / Lina 12.5 / 25 plates		Usable space for equipment (dm ²)	Mounting of plates	
	G (mm)	H (mm)		F (mm)	E (mm)
300 x 200	256	156	4.2	225	125
300 x 220	275	192	5.3	263	163
300 x 300	256	256	6.2	225	225
300 x 400 ⁽¹⁾	256	356	8.2	225	325
400 x 300 ⁽¹⁾	356	256	8.2	325	225
400 x 400	356	356	11.7	325	325
400 x 600 ⁽¹⁾	356	556	18.7	325	525
500 x 400	456	356	15.2	425	325
500 x 500	456	456	19.2	425	425
600 x 400 ⁽¹⁾	556	356	18.7	525	325
600 x 500	556	456	25.3	525	425
600 x 600	556	556	29.7	525	525
600 x 800 ⁽¹⁾	556	756	40.7	525	725
600 x 1000 ⁽¹⁾	556	956	51.7	525	925
700 x 500	656	456	28.7	625	425
800 x 600 ⁽¹⁾	756	556	40.7	725	525
800 x 800	756	756	55.7	725	725
800 x 1000 ⁽¹⁾	756	956	71.7	725	925
1000 x 600 ⁽¹⁾	956	556	51.7	925	525
1000 x 800 ⁽¹⁾	956	756	70.7	925	725
1000 x 1200 ⁽¹⁾	956	1156	108.7	925	1125
1200 x 600	1156	556	64.2	1125	525
1200 x 800	1156	756	85.7	1125	725
1200 x 1000 ⁽¹⁾	1156	956	108.7	1125	925
1400 x 800	1356	756	100.7	1325	725

1: For horizontal or vertical mounting



Cabinet and equipment selection chart **p. 8-9**
 Technical characteristics **p. 20**

Pack	Cat.Nos	Lina 25 sectioned uprights		
		Set of 2 uprights		
		For cabinets height (mm)	Length (mm)	Section
5	0 361 50	300	237	L
5	0 361 51	400	337	
5	0 361 52	500	437	
5	0 361 53	600	537	
5	0 361 54	700	637	
5	0 361 55	800	737	
5	0 361 56	1000	937	
1	0 361 58	1200	1137	
1	0 361 59	1400	1337	
10	0 361 92	Upright to be cut Length 3 m - Section L		
		Lina 25 rail		
		Rail		
		For fixing onto uprights with clip nut Cat.No 0 364 42 and screw-washer Cat.No 0 367 75		
		└ depth 15 mm		
		For cabinets width (mm)	Crosspiece length (mm)	Section
10	0 367 80	300	243	└
10	0 367 81	400	343	
10	0 367 82	500	443	
10	0 367 83	600	543	
10	0 367 84	800	743	
		Rail to be cut, length 2 m		
10	0 374 02	└ EN 60715		
10	0 374 07	Symmetrical └ depth 15 mm		
10	0 374 04	Symmetrical └ EN 60715 depth 7.5 mm		
10	0 477 22	└ depth 7.5 mm with oblongs		
10	0 477 23	└ depth 15 mm with oblongs		
		Protective conductor lug		
5	0 367 36	Support lug for protection copper bar For Atlantic enclosures only		
		Wall-mounting VDI chassis for Atlantic, and Marina cabinets		
		For integrating 19" VDI equipment in Atlantic, and Marina cabinets, width 600 or 800 mm and depth 250 mm min.		
		In 400 mm wide cabinets, the chassis can integrate 10" VDI equipment		
		Can be fixed directly to the wall to create a wall-mounting chassis (without cabinet)		
		Self-locking cable ties and cable ties with tightening indicator can be fitted		
		Technical characteristics see e-catalogue		
1	0 462 27	6 U chassis		
1	0 462 28	12 U chassis		
1	0 462 29	16 U chassis		

Pack	Cat.Nos	Copper bars				
		Copper bars with tapped holes				
		Cross-section (mm)	Permis I (A)	Tapped holes		Length (mm)
10	0 373 88	12 x 2	110	Ø mm	Pitch	990
10	0 373 89	12 x 4	160	M5	18	990
		Connectors for bars with tapped holes				
		1 or 2 conductor from 1.5 to 10 mm ² (supplied with Ø5 mm screws)				
100	0 373 65 ¹					
		Non perforated copper bar				
		Cross-section (mm)	Permis I (A)	Length (mm)		
10	0 373 49	12 x 4	180	991.5		
		Connectors for bar Cat.No 0 373 49				
100	0 373 60	1.5 to 4 mm ²				
10	0 373 61	6 to 16 mm ²				
10	0 373 62	10 to 35 mm ² (supplied with M6 CHC Ø5 mm)				
		Door contact				
		For example, to cut off the air conditioning and the lighting supply as soon as the enclosure or cabinet door is opened				
1	0 363 13	3 A - 240 V				
		1 NC contact + 1 NO contact				
		For Atlantic and Marina cabinets				
		Supplied with fixing lug				
		Hinged glass doors				
		IP 54				
		Anodised aluminium frame				
		Polycarbonate transparent window, 3 mm stick				
		Neoprene seal				
		455 key lock. 120° opening				
		Supplied complete with drilling template				
		For devices on front panels. Protect the devices and prevent accidental operation				
		Width (mm)	Height (mm)	External dim. Width (mm)	Window Height (mm)	Window Depth (mm)
1	0 475 45	300	400	50	230	330
1	0 475 46	400	400	50	330	330
1	0 475 47	500	500	50	430	430
		Self adhesive document holder (for plans)				
		Open - RAL 7035				
		External dimensions		Internal dimensions		
		Width (mm)	Height (mm)	Width (mm)	Height (mm)	Depth (mm)
20	0 365 80	340	235	310	200	18
20	0 365 81	260	165	230	130	18
		Closed - RAL 7035				
		Rigid plastic - IP 50				
1	0 365 82	Internal dimensions: 324 x 120 x 18 mm				
		Transparent				
		Flexible plastic - A4 - 320 x 220 mm				
		Door stop for Atlantic metal cabinets				
1	0 363 86 ²	Allows door stop at 90° Supplied with screws				

1: Protective conductor per connector (art. 12 of French decree of 14/11/89)
 2: For Atlantic metal cabinets only

Atlantic, Atlantic stainless steel and food industry cabinets chassis and internal doors



0 361 03 mounted in cabinet
Cat.No 0 369 26 (p. 10)



0 363 60 mounted in Atlantic metal cabinets
Cat.No 0 369 18 (p. 10)
with Cat.No 0 363 69



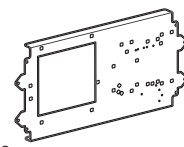
Accept key barrel



Cabinet and equipment selection chart **p. 8-9**
Technical characteristics **p. 20**

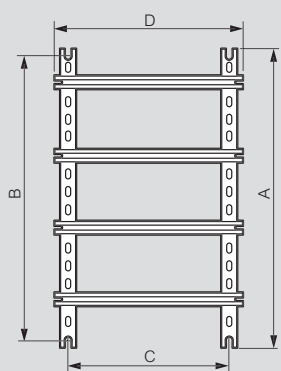
Pack	Cat.Nos	Chassis with insulating faceplates RAL 7035
1	0 361 01	<p>Symmetrical rails 15 mm depth Supplied complete with uprights and faceplates Space between door and faceplate for Atlantic, Atlantic Hygienic Design and Marina cabinets : - 70 mm for cabinets depth 200 mm - 80 mm for cabinets depth 250 mm - 90 mm for cabinets depth 300 mm Self extinguishing 750 °C acc. to IEC EN 60695-2-11</p> <p>For cabinets 400 x 300 x 200 30 modules (3 rows of 10) Supplied with 1 blanking plate</p>
1	0 361 02	<p>For cabinets 500 x 400 x 200 48 modules (3 rows of 16) Supplied with 1 blanking plate</p>
1	0 361 03	<p>For cabinets 600 x 400 x 250 48 modules (3 rows of 16) Supplied with 1 blanking plate</p>
1	0 361 05	<p>For cabinets 700 x 500 x 250 84 modules (4 rows of 21) Supplied with 1 blanking plate</p>
1	0 361 06	<p>For cabinets 800 x 600 x 300 108 modules (4 rows of 27) Supplied with 2 blanking plates Can take in 1st row a mounting plate Cat.No 0 360 44</p>
1	0 361 09	<p>For cabinets 1000 x 800 x 300 190 modules (5 rows of 38) Supplied with 2 blanking plates Can take in 1st row a mounting plate Cat.No 0 360 45</p>
1	0 361 10	<p>For cabinets 1200 x 800 x 300 228 modules (6 rows of 38) Supplied with 2 blanking plates Can take in 1st row a mounting plate Cat.No 0 360 45</p>
10	0 361 00	<p>Blanking plate 38 modules, length 684 mm</p>

Pack	Cat.Nos	Mounting plates																								
1	0 360 44	For 800 x 600 mm cabinets for DPX ³ 160 or Vistop 160 A or DPX-IS 250, 63 to 250 A, please consult us																								
1	0 360 45	For 1000 x 800 mm or 1200 x 800 mm cabinets For 1, 2 or 3 DPX ³ 160, DPX ³ 250 or Vistop 160 A or DPX-IS 250, 63 to 250 A																								
		<p>Insulating internal doors RAL 7035</p> <p>For direct routing in Marina cabinets, with Cat.No 0 363 69 in Atlantic metal cabinets IP XXB Polyester fiber glass reinforced, height 4 mm Self-extinguishing 960°C acc. to IEC EN 60695-2-11 Grid lines integrated on back Centre marking on front Adjustable distance between cabinet door and internal door: 42 to 50 mm for Atlantic cabinets, more than 100 mm for Marina cabinets Right or left opening, captive hinge pins Double bar key: 1 key for 400 to 600 mm height, 2 keys for height from 700 mm Take key barrels and other barrels</p> <table border="1"> <thead> <tr> <th>For cabinets Height x Width(mm)</th> <th>Dim. (mm) Height x Width</th> <th>Usable dim. (mm) Height x Width</th> </tr> </thead> <tbody> <tr> <td>1 0 363 59 400 x 300</td> <td>341 x 236</td> <td>305 x 185</td> </tr> <tr> <td>1 0 363 60 500 x 400</td> <td>441 x 336</td> <td>405 x 250</td> </tr> <tr> <td>1 0 363 61 600 x 400</td> <td>541 x 336</td> <td>505 x 250</td> </tr> <tr> <td>1 0 363 62 700 x 500</td> <td>642 x 436</td> <td>500 x 340</td> </tr> <tr> <td>1 0 363 63 800 x 600</td> <td>742 x 536</td> <td>600 x 440</td> </tr> <tr> <td>1 0 363 64 1000 x 800</td> <td>942 x 736</td> <td>800 x 640</td> </tr> <tr> <td>1 0 363 65 1200 x 800</td> <td>942 x 736</td> <td>800 x 640</td> </tr> </tbody> </table>	For cabinets Height x Width(mm)	Dim. (mm) Height x Width	Usable dim. (mm) Height x Width	1 0 363 59 400 x 300	341 x 236	305 x 185	1 0 363 60 500 x 400	441 x 336	405 x 250	1 0 363 61 600 x 400	541 x 336	505 x 250	1 0 363 62 700 x 500	642 x 436	500 x 340	1 0 363 63 800 x 600	742 x 536	600 x 440	1 0 363 64 1000 x 800	942 x 736	800 x 640	1 0 363 65 1200 x 800	942 x 736	800 x 640
For cabinets Height x Width(mm)	Dim. (mm) Height x Width	Usable dim. (mm) Height x Width																								
1 0 363 59 400 x 300	341 x 236	305 x 185																								
1 0 363 60 500 x 400	441 x 336	405 x 250																								
1 0 363 61 600 x 400	541 x 336	505 x 250																								
1 0 363 62 700 x 500	642 x 436	500 x 340																								
1 0 363 63 800 x 600	742 x 536	600 x 440																								
1 0 363 64 1000 x 800	942 x 736	800 x 640																								
1 0 363 65 1200 x 800	942 x 736	800 x 640																								
1	0 363 69	<p>Accessory Accessory for mounting insulating internal doors in Atlantic metal cabinets</p>																								



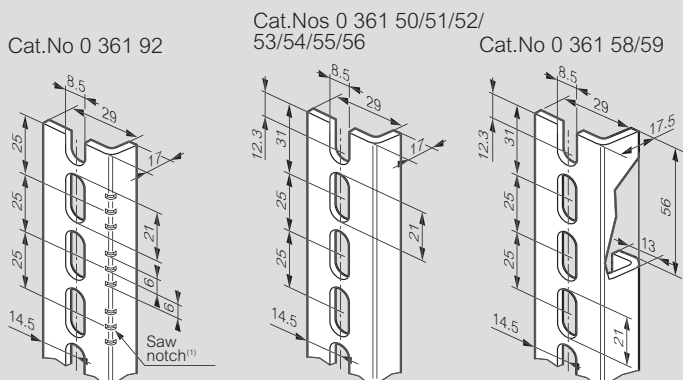
Metallic internal doors
p. 11

Assembled chassis with rails and Lina 25 uprights



Dimensions of cabinets Height x Width (mm)	Uprights height		Rail length		Chassis fixing	
	A (mm)	D (mm)	B (mm)	C (mm)		
300 x 200	237	143	225	125		
300 x 300	237	243	225	225		
300 x 400	237	343	225	325		
400 x 300	337	243	325	225		
400 x 400	337	343	325	325		
400 x 600	337	543	325	525		
500 x 400	437	343	425	325		
500 x 500	437	443	425	425		
600 x 400	537	343	525	325		
600 x 500	537	443	525	425		
600 x 600	537	543	525	525		
600 x 800	537	743	525	725		
600 x 1000	537	943	525	925		
700 x 500	637	443	625	425		
800 x 600	737	543	725	525		
800 x 800	737	743	725	725		
800 x 1000	737	943	725	925		
1000 x 600	937	543	925	525		
1000 x 800	937	743	925	725		
1000 x 1200	937	1143	925	1125		
1200 x 600	1137	543	1125	525		
1200 x 800	1137	743	1125	725		
1200 x 1000	1137	943	1125	925		
1400 x 800	1337	743	1325	725		

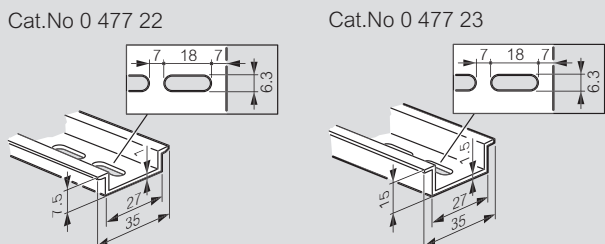
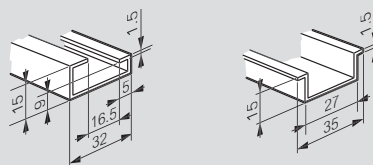
Lina 25 sectioned uprights and uprights to be cut



1: Saw notch for upright length x pitch 25,
the 2 others for uprights Cat.Nos 0 361 50/51/52/53/54/55/56

Rails

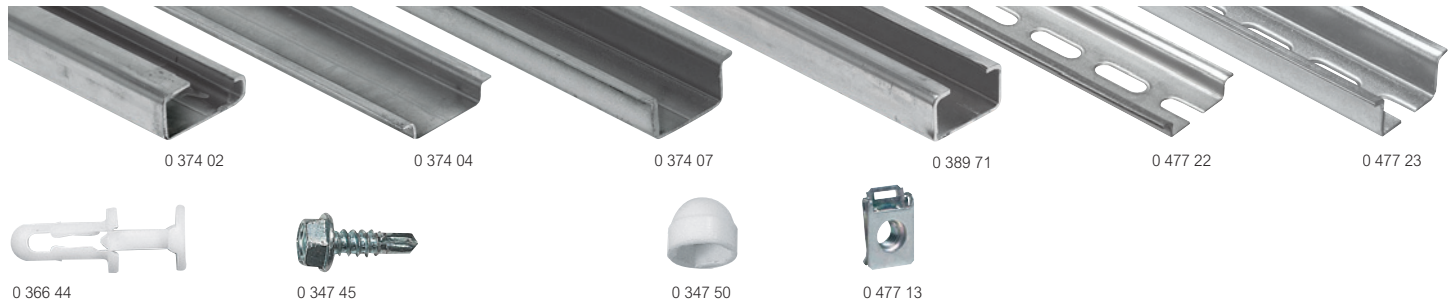
Cat.No 0 374 02 Cat.Nos 0 367 80/81/82/83/84/85/86
and 0 374 07



Pack	Cat.Nos	Lock housings for rebate locks or key barrets	
10	0 368 04	For Atlantic and Marina cabinets Lock	
10	0 368 05	Knob (with blanking plate)	
10	0 368 06	Knob fitted with key barrel 2433 A	
1	0 365 11	Padlocking Takes 3 safety padlocks Cat.No 0 227 97 Shackle Ø6 mm max. For fitting on Atlantic and Marina knob or lock RAL 7021 painted steel	
1	0 365 13	Padlock adaptor stainless steel for Marina cabinets height ≥ 400 mm additional to latches Takes 3 padlocks Ø6 max.	
10	0 365 30	Locking latches For Marina cabinets	
10	0 368 43	For Atlantic 1-door cabinet	
10	0 368 17 ¹	Metal rebate locks For Atlantic and Marina cabinets Triangle male 6.5 mm	
10	0 368 18 ¹	Triangle male 8 mm	
10	0 368 19 ¹	Triangle male 9 mm (EDF)	
10	0 368 20 ¹	Double bar	
10	0 368 22 ¹	Key barrets For Atlantic and Marina cabinets Supplied with set of 2 key For key No 405	
10	0 368 23 ¹	For key No 421	
10	0 368 24 ¹	For key No 455	
10	0 368 25 ¹	For key No 1242 E	
10	0 368 26 ¹	For key No 2433 A	
10	0 368 27 ¹	For key No 3113 A	
10	0 365 45 ¹	Set of two 2433 A keys Other key code: please consult us	
10	0 365 35	Metal keys for rebate locks Square female 6 mm	
10	0 365 39	Triangle male 6.5 mm	
10	0 365 40	Triangle male 8 mm	
10	0 365 41	Triangle male 9 mm (EDF)	
10	0 365 42	Double bar	
1	0 368 42	Multi-size key for rebate locks: square male 8 mm, square male 6 mm, Triangle male 8 mm and double bar	

1: Except Marina enclosures: please consult us

Uprights, rails and fixing accessories for cabinets and enclosures



For mounting chassis and fixing wiring accessories

Pack Cat.Nos Uprights to be cut

10	0 361 92	Lina 25 Length 3 m - Section L
10	0 389 71	On C profile rail Section C

Rails to be cut

10	0 374 02	Length 2 m EN 60 715
10	0 374 04	EN 60 715 depth 7.5 mm
10	0 374 07	depth 15 mm
10	0 389 71	Section C
10	0 477 22	depth 7.5 mm with oblongs
10	0 477 23	depth 15 mm with oblongs

45° mounting bracket

10	0 394 49	Set of 2 supports for 45° rail slope Supplied with 4 M6 screws Ø6 mm, nuts and washers
----	----------	--

Fixing accessories

100	0 347 46	On plain plates CBL Z 5.5 x 16 PZ No 3 self-tapping screw	
100	0 347 47	CBL Z 5.5 x 19 self-drilling tapping screw	
500	0 366 44 ¹	On Lina 12.5 plates Rivet reinforced plastic Ø6 mm for drilling Ø6.5 mm	
100	0 347 45	Screw head H 4.8 x 16 mm self-drilling, self-tapping for Ø3.3 mm	
200	0 347 50	Screw caps for isolation of screw head Cat.No 0 347 45	
100	0 364 40	On Lina 25 perforated plates Clip-nuts supplied without screw	
100	0 364 41	For M4 screws	
100	0 364 42	For M5 screws	
100	0 364 42	For M6 screws	
50	0 477 12	On cabinet frame and crosspieces Clip-nuts with pins which provide earth continuity For M6 screws	
50	0 477 13	For M8 screws	
100	0 364 61	On rails EN 60 715 Fixobar for M4 screws	
100	0 364 62	Fixobar for M5 screws	
100	0 364 63	Fixobar for M6 screws	

Pack Cat.Nos Fixing accessories (continued)

20	0 364 66	Adaptor For mounting on rail C equipment fitting on rail L Width 17 mm Increase equipment height of 6 mm	
100	0 364 78	On rails EN 60 715 For M4 screws	
100	0 364 79	For M6 screws	
10	0 044 16	On rails EN 60 715 Claw width 10 mm	
50	0 044 17	Threaded hole for M4 screw Claw width 17.5 mm Smooth hole 3.8 mm Supplied with fixing screw Ø3.5 mm Length 13 mm	
100	0 374 39	Claw width 35 mm Holes for M4 and M6 screws	
40	0 364 69	Fixomega for M4 screws	
100	0 364 82	On C profile rail Stirrup for M6 screws	
20	0 364 50	Cage nuts For mounting on square perforation 8.3 x 8.3 mm M4	
20	0 364 51	M5	
20	0 364 52	M6	
50	0 367 75	HF screw with contact washer M 6-10 HF screws with contact washers	

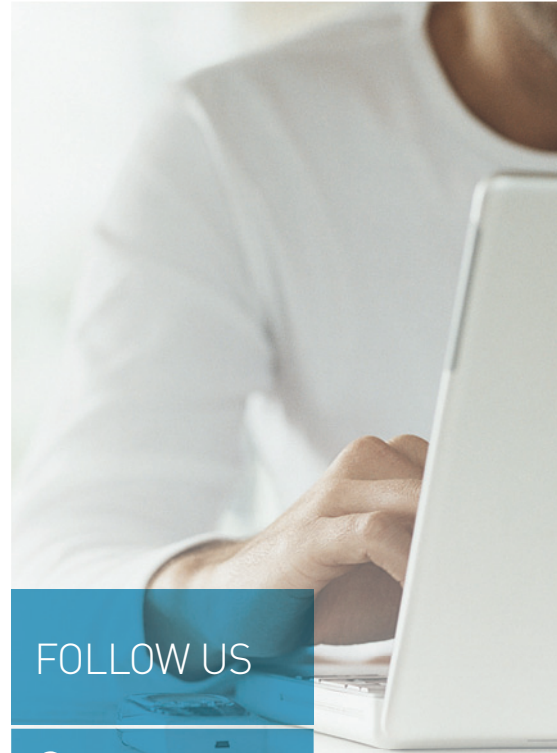
1: Can also be used on Lina 25 perforated plate








Head Office

128, avenue de Lattre de Tassigny
87045 Limoges Cedex
France
Tel: +33 (0)5 55 06 87 87
Fax: +33 (0)5 55 06 74 55

EXB16005 - March 2016



FOLLOW US

- @ legrand.com
-  youtube.com/user/legrand
-  facebook.com/Legrand
-  twitter.com/Legrand
-  pinterest.com/legrandgroup
-  instagram.com/legrandnews