

LEADING IN INSULATION TECHNOLOGY

KUVAG

finn  **electric**



Overview of our product range

Products for indoor use

Page



Indoor post insulators up to 4 kV

3



Indoor post insulators up to 12 kV

4



Indoor post insulators 17,5 kV – 38,5 kV

5



Capacitive post insulators 12 kV – 38,5 kV

6



Low voltage insulators up to 3,6 kV

7



Screwable bushings type GD up to 36 kV

8



Outdoor post insulators type PI/LPI - up to 36 kV

9



Outdoor post insulators type FS - up to 36 kV

10



Outdoor / indoor bushings - up to 45 kV

11

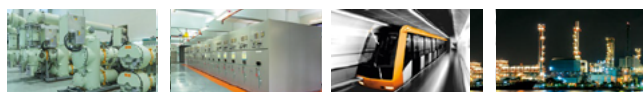


Relevant standards - overview

12

Product lines and applications of KUVAG products

13



Indoor post insulators up to 4 kV

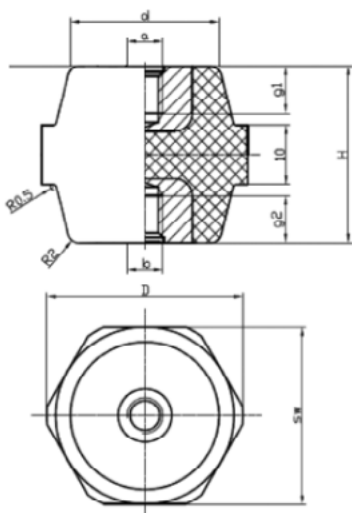


Fig. 1

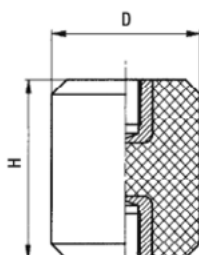
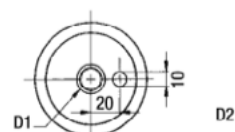


Fig. 2

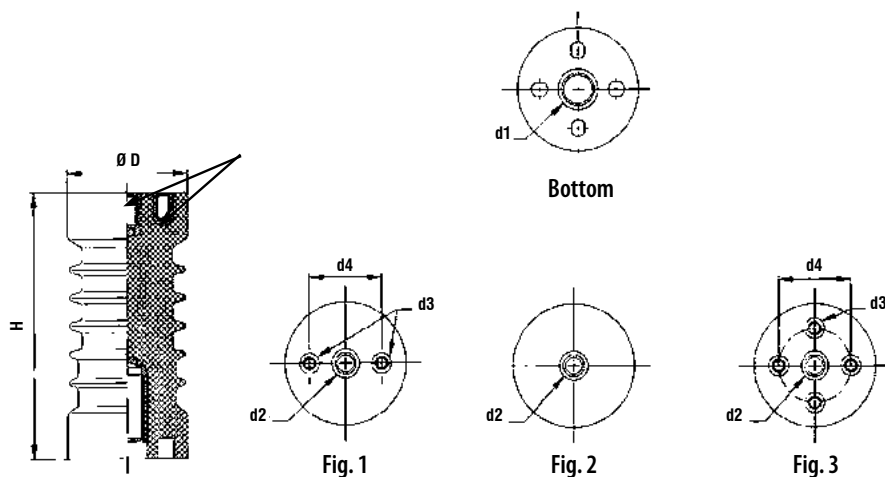


Bottom

Type	Fig.	Art. No.	H	D	D1	Bending strength	Tensile strength	Weight	Maximum operating voltage	SW
			mm	mm		> kN	> kN	kg/100	kV	mm
NSS 30/30-M6	1	004870-00	30	33	M6x8	3	6	5,8	2	30
NSS 30/30-M8	1	004871-00	30	33	M8x8	3	6	5,8	2	30
NSS 40/40-M8	1	004872-00	40	45	M8x10	6	12,5	12,3	2	40
NSS 40/40-M10	1	004873-00	40	45	M10x12	6	12,5	12,3	2	40
NSS 40/40-M12	1	004874-00	40	40	M12x12	6	12,5	12,3	2	40
NSS 50/50-M10	1	004875-00	50	55	M10x15	9	17,5	20	3	50
NSS 50/50-M12	1	004876-00	50	55	M12x12	9	17,5	20	3	50
NSS 60/60-M12	2	000714-00	60	60	M12x18	12,5	22,5	33	3	
NSS 60/60-M16	2	000516-00	60	60	M16x18	15	25	33	3	
NSS80/60-M12	2	004051-00	80	60	M12x18	7,5	19	42	3	
NSS 80/60-M16	2	004039-00	80	60	M16x22	9,5	20	42	3	
NSS 100/80-M16	2	004052-00	100	80	M16x22	12,5	25	95	4	

* Item on stock, dependent on demand

Indoor post insulators 12 kV



Type	Fig.	Art. No.	Drawing No.	Lightning impulse withstand voltage	Creepage distance	Bending strength	Weight	H	D	d1	d2	d3	d4
				kV	mm	kN	kg	mm	mm				mm
* SGA12S	1	000118-00	M0020-0	60	133	5	0,45	95	60	M16x33	M10x16	M6x12	36
* SGA12S	1	000119-00	M0020-2	60	133	5	0,45	95	60	M12x30	M10x16	M6x12	36
* SGA12S	2	000121-00	M0020-0	60	133	5	0,45	95	60	M16x33	M10x16		
SGA12S	2	004238-00	M0020-2	60	133	5	0,45	95	60	M12x25	M12x18		
SGA12S	3	000374-00	M0020-0	60	133	5	0,45	95	60	M16x33	M10x16	M6x12	36
* SGA12S	1	000645-00	M0020-1	60	133	5	0,45	95	60	M16x33	M12x18	M6x12	36
* SGA12N	1	000001-00	M0021-0	75	174	5	0,58	130	60	M16x33	M10x20	M6x12	36
* SGA12N	2	000251-00	M0021-0	75	174	5	0,58	130	60	M16x33	M10x20		
SGA12N	3	000376-00	M0021-0	75	174	5	0,58	130	60	M16x33	M10x20	M6x12	36
* SGA12N	1	000542-00	M0021-1	75	174	5	0,58	130	60	M16x33	M12x18	M6x12	36
* SGB12S	1	000668-00	M0240	60	133	10	0,55	95	72	M16x25	M16x25	M10x16	46
* SGB12N	1	020028-00	M0022-0	75	187	10	0,87	130	72	M20x34	M16x33	M10x16	46
SGB12N	2	000126-00	M0022-0	75	187	10	0,87	130	72	M20x34	M16x33		
SGB12N	3	000127-00	M0022-0	75	187	10	0,87	130	72	M20x34	M16x33	M10x16	46
* SGB12N	1	000544-00	M0022-K1	75	187	10	0,95	130	77	M20x34	M16x33	M10x16	46
SGB12F	1	000983-00	M0627	110	322	10	1,3	130	98	M20x34	M16x33	M10x16	46
* SGC12N	1	000644-00	M0023-0	75	195	16	1,32	130	90	M20x34	M16x33	M10x16	66
SGC12N	2	000131-00	M0023-0	75	195	16	1,32	130	90	M20x34	M16x33		
SGC12N	3	000132-00	M0023-0	75	195	16	1,32	130	90	M20x34	M16x33	M10x16	66
SGD12N	2	000136-00	M0024-0	75	261	25	2,85	130	130	M20x34	M16x33		
SGD12N	2	000137-00	M0024-K1	75	261	25	2,74	125	130	M20x34	M16x33		
* SGD12N	3	000545-00	M0024-0	75	261	25	2,85	130	130	M24x35	M16x33	M10x16	66
SGB12N		KT037	NP1120690	85	181	8	0,85	124	72	M16x33		M10x16	23

* Item on stock, dependent on demand

Indoor post insulators 17,5 kV - 38,5 kV

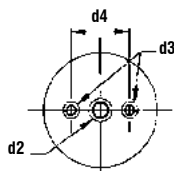
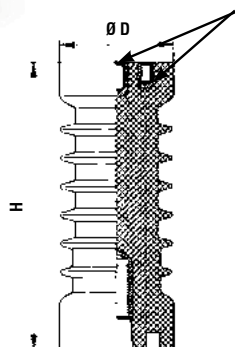
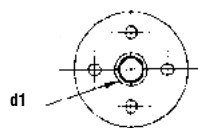


Fig. 1



Bottom

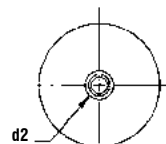


Fig. 2

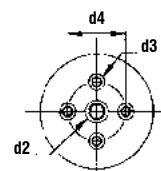


Fig. 3

Type	Fig.	Art. No.	Drawing No.	Lightning impulse withstand voltage	Creepage distance	Bending strength	Weight	H	D	d1	d2	d3	d4
				kV	mm	> kN	kg	mm	mm				mm
SGB17,5F	1	004243-00	M0838	110	328	10	1,60	160	98	M20x34	M16x33	M10x16	46
* SGA24S	1	000096-00	M0025-0	95	258	5	1,00	175	70	M16x33	M10x16	M6x12	36
SGA24S	2	000138-00	M0025-0	95	258	5	1,00	175	70	M16x33	M10x16		
SGA24S	3	000378-00	M0025-0	95	258	5	1,00	175	70	M16x33	M10x16	M6x12	36
* SGA24S	1	000546-00	M0025-1	95	258	5	1,00	175	70	M16x33	M12x18	M6x12	36
* SGA24N	1	000095-00	M0026-0	125	296	5	1,20	210	70	M16x33	M10x16	M6x12	36
SGA24N	2	000143-00	M0026-0	125	296	5	1,20	210	70	M16x33	M10x16		
SGA24N	3	000380-00	M0026-0	125	296	5	1,20	210	70	M16x33	M10x16	M6x12	36
* SGA24N	1	000547-00	M0026-1	125	296	5	1,20	210	70	M16x33	M12x18	M6x12	36
* SGB24S	1	000228-00	M0027	95	259	10	1,35	175	80	M20x34	M16x33	M10x16	46
* SGB24N	1	000550-00	M0028-0	125	308	10	1,85	210	85	M20x34	M16x33	M10x16	46
* SGB24N	2	000221-00	M0028-0	125	308	10	1,85	210	85	M20x34	M16x33		
SGB24N	3	000220-00	M0028-0	125	308	10	1,85	210	85	M20x34	M16x33	M10x16	46
* SGB24F	1	004541-00	M0626	125	417	10	2,10	210	98	M20x34	M16x33	M10x16	46
SGB 24F-L,A04		1430	NP110 2730 1	125	505	8	2,20	225	98	M20x34	M16x42		
SGB 24F-L,A05		1433	NP110 2731 1	125	505	8	2,20	225	98	M20x34	M16x42	M10x16	46
SGC24N	1	000553-00	M0029-0	125	275	10	2,55	210	89	M24x35	M16x33	M10x16	66
SGD24N	1	000687-00	M2048	125	404	25	4,15	210	130	M24x35	M16x33	M10x16	66
* SGA36N	1	000231-00	M0039-0	170	434	5	2,10	300	80	M16x33	M10x16	M6x12	36
* SGA36N	2	000232-00	M0039-0	170	434	5	2,10	300	80	M16x33	M10x16		
SGA36N	3	000381-00	M0039-0	170	434	5	2,10	300	80	M16x33	M10x16	M6x12	36
SGA36N	1	000551-00	M0039-1	170	434	5	2,10	300	80	M16x33	M12x18	M6x12	36
* SGB36N	1	000233-00	M0040-0	170	434	7,5	3,20	300	95	M24x35	M16x33	M10x16	46
SGB36N	2	000235-00	M0040-0	170	434	7,5	3,20	300	95	M24x35	M16x33		
SGC36N	1	000242-00	M0041-1	170	601	16	5,87	300	130	M24x35	M16x33	M10x16	66
* SGB38,5F	1	004185-00	M0629	180	546	10	3,20	325	98	M24x35	M16x33	M10x16	46
IO 8-195	1	004929-00	NP1121468 2	195	535	7	4,90	350	110	M24x35	M16x33	M10x20	46

* Item on stock, dependent on demand

Capacitive post insulators 3 kV - 38,5 kV

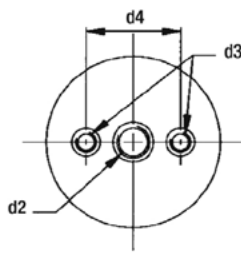
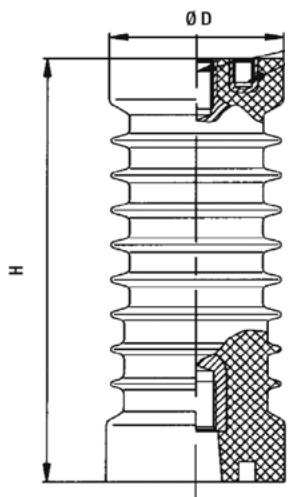
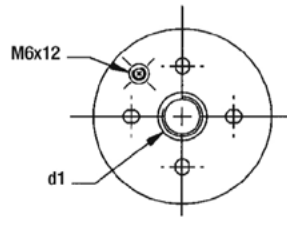


Fig. 1



Bottom

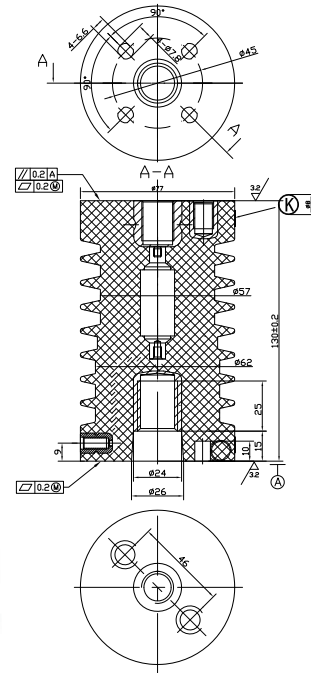


Fig. 2

Type	Fig.	Art. No.	Drawing No.	Lightning impulse withstand voltage	Creepage distance	Bending strength	weight	H	D	d1	d2	d3	d4
				kV	mm	>kN	kg	mm	mm				mm
* SGA 12N-kap	1	000703-00	M0435	75	187	5	1,30	130	77	M16x25	M12x18	M6x12	36
SGB 3N-kap	1	021470-00	NP1123114	40	187	10	1,03	130	77	M20x25	M16x18,5	M10x12	46
* SGB 6N-kap	1	021053-00	NP1123114	75	187	10	1,03	130	77	M20x25	M16x18,5	M10x12	46
SGB 12N-kap	1	000383-00	M0091	75	187	10	1,25	130	77	M20x25	M16x20	M10x12	46
B10N-1000C	2	KT051	KX1.B10.213	75	240	7,5	1,50	130	77	M20x25	M16x29	M10x14	46
SGC 12N-kap	1	004087-00	M0092	75	177	16	1,55	130	90	M20x25	M16x20	M10x12	66
SGD 12N-kap	1	000704-00	M0436	75	261	25	3,00	130	130	M20x25	M16x20	M10x12	66
SGB 17,5-kap	1	021207-00	NP11230151	85	328	9,6	1,60	160	98	M20x25	M16x25	M10x16	46
* SGA 24N-kap	1	000705-00	M0437	125	296	5	1,80	210	77	M16x33	M12x18	M6x12	36
* SGB 24N-kap	1	000385-00	M0093	125	308	10	2,05	210	85	M20x34	M16x25	M10x12	46
SGB 24L-kap	1	1428	NP11220381	125	339	6,8	2,10	225	86	M16x33	M12x20		
SGA 36N-kap	1	000706-00	M0438	170	434	5	2,10	300	80	M16x33	M12x18	M6x12	36
SGB 36N-kap	1	000482-00	M0202	170	434	7,5	3,20	300	95	M24x35	M16x25	M10x12	46
SGB 38,5F-kap	1	004418-00	M1517	180	546	7,5	3,20	325	98	M24x35	M16x25	M10x16	46
IO 8-195-kap	1	1370	NP11213701	195	535	8	4,90	350	110	M24x35	M16x25	M10x20	46

* Item on stock, dependent on demand

Capacitor for rated voltage

3 kV -> 100 pF | 6 kV -> 50 pF | 12 kV -> 20 pF | 24 kV -> 15 pF | 36 kV -> 10 pF

Indoor bushings type DR up to 36 kV

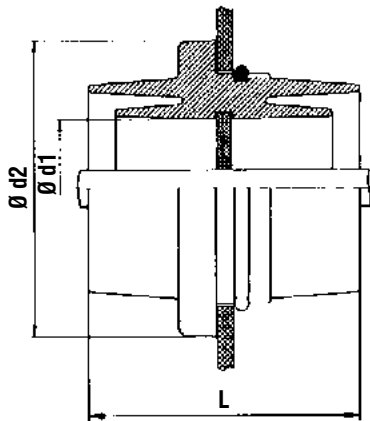


Fig. 1

Type	Fig.	Art. No.	Drawing No.	Rated voltage	Creepage distance	Weight	L	d1	d2
				kV	mm	kg	mm	mm	mm
DR 12/55	1	000912-00	M0746	6 (12)*	120	0,80	120	55	110
DR 12/75	1	000908-00	M0746	6 (12)*	120	1,00	120	75	130
DR 12/95	1	000916-00	M0746	6 (12)*	120	1,20	120	95	150
DR 12/115	1	000920-00	M0746	6 (12)*	120	1,55	120	115	170
DR 24-36/55	1	000964-00	M0318	24 (36)*	225	1,10	150	55	120
DR 24-36/75	1	000969-00	M0318	24 (36)*	225	1,30	150	75	140
DR 24-36/95	1	000953-00	M0318	24 (36)*	225	1,60	150	95	160
DR 24-36/115	1	000974-00	M0318	24 (36)*	225	2,10	150	115	180

*Installation with an insulating plate

Screwable bushings type GD up to 36 kV

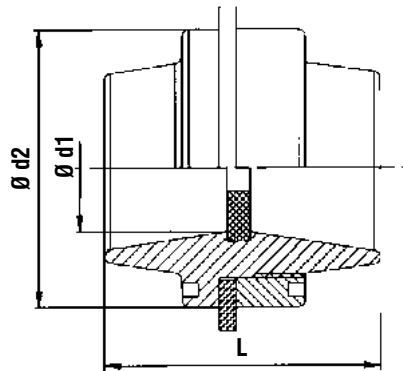


Fig. 1

Type	Fig.	Art. No.	Drawing No.	Rated voltage	Creepage distance	Weight	L	d1	d2
				kV	mm	kg	mm	mm	mm
GD 1,2/55	1	000248-00	M0063	1,2	55	0,45	46-52	55	101,5
* GD 12/55	1	000740-00	M0204	6 (12)**	120	1,10	120	55	120
* GD 12/75	1	000707-00	M0204	6 (12)**	120	1,30	120	75	140
* GD 12/95	1	000708-00	M0204	6 (12)**	120	1,60	120	95	160
GD 12/115	1	004054-00	M0204	6 (12)**	120	1,85	120	115	180
GD 12/145	1	004055-00	M0204	6 (12)**	120	2,20	120	145	210
* GD 24-36/55	1	000741-00	M0065	24 (36)**	230	1,65	150	55	140
* GD 24-36/75	1	000742-00	M0065	24 (36)**	230	1,96	150	75	160
GD 24-36/95	1	000709-00	M0065	24 (36)**	230	2,30	150	95	180
* GD 24-36/115	1	004056-00	M0065	24 (36)**	230	2,60	150	115	200
* GD 24-36/145	1	004057-00	M0065	24 (36)**	230	3,00	150	145	230

* Item on stock, dependent on demand

**Installation with an insulating plate

Outdoor post insulators type PI/LPI

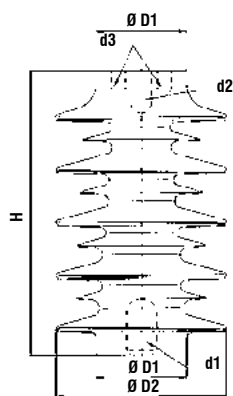


Fig. 1

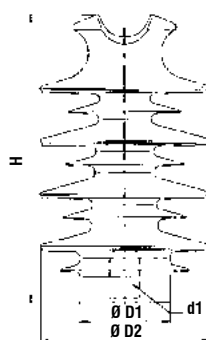


Fig. 2

Type	Fig.	Art. No.	Drawing No.	Rated voltage	Lightning impulse withstand voltage	Creepage distance	Bending strength	Weight	H	D1	D2	d1	d2	d3	d4
				kV	kV	mm	kN	kg	mm	mm	mm				mm
PI 170-12	1	000387-00	M0056	36	193	849	12	4,90	280	90	170	M16x35	M16x33	M10x16	46
PI 200-8	1	000336-00	M0057	36	230	1108	8	6,00	360	90	170	M20x40	M16x33	M10x16	46
PI 200-8	1	004323-00	M1363	36	230	1108	8	6,00	360	90	170	M16x33	M16x33	2xM10x16	66
PI 200-8	1	004224-00	M1924	36	230	1108	6	6,00	360	90	170	2xM12x25		2xM12x25	46
PI 250-4	1	004421-00	M1595	36	250	1547	4	8,95	500	90	170	M20x34	M16x33	M10x16	46
PI 250-4	1	004661-00	M2061	36	250	1547	4	8,95	500	90	170	M20x34	M16x33	M10x16	66
LPI 110-13	2	000390-00	M0052	24	135	582	13	3,40	231,5	90	170	M16x35			
LPI 150-13	2	000391-00	M0053	24	160	769	10	4,20	283,5	90	170	M16x35			
LPI 170-12	2	000388-00	M0054	36	170	943	8	5,10	335,5	90	170	M16x35			
LPI 200-8	2	000389-00	M0055	36	203	1104	8	6,00	387,5	90	170	M20x40			

Outdoor post insulators type FS

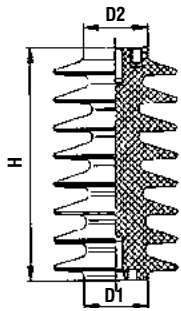


Fig. 1

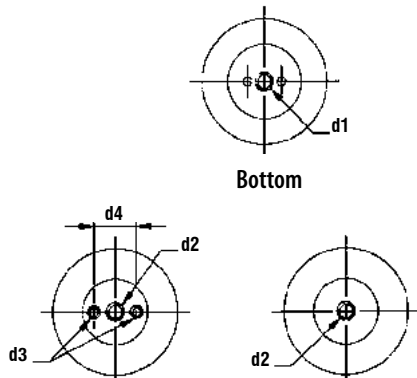


Fig. 2

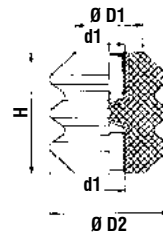


Fig. 3

Type	Fig.	Art. No.	Drawing No.	Rated voltage	Lightning impulse withstand voltage	Creepage distance	Bending strength	Weight	H	D1	D2	d1	d2	d3	d4
				kV	kV	mm	kN	kg	mm	mm	mm				mm
FSH 5-125	1	000395-00	M0084	24	125	514	5	2,92	210	80	70	M16x33	M16x33	M6x12	36
FSH 5-125	2	000396-00	M0084	24	125	514	5	2,92	210	80	70	M16x33	M16x33		
FSH 8-125	1	000397-00	M0084	24	125	514	8	2,92	210	80	70	M20x34	M20x34	M10x16	46
FSH 8-125	2	000398-00	M0084	24	125	514	8	2,92	210	80	70	M20x34	M20x34		
FSG 4-125/1	1	000276-00	M0085	24	125	734	4	3,35	250	70	70	M16x33	M10x20	M6x12	36
FSG 4-125/1	2	000277-00	M0085	24	125	734	4	3,35	250	70	70	M16x33	M16x33		
FSG 8-125/1	1	000282-00	M0085	24	125	724	8	3,50	250	70	90	M20x34	M16x33	M10x16	66
FSG 8-125/1	2	000283-00	M0085	24	125	724	8	3,50	250	70	90	M20x34	M16x33		
FSG 5-125/2	1	000399-00	M0101	24	125	824	5	3,75	280	70	70	M16x33	M10x20	M6x12	36
FSG 5-125/2	2	000278-00	M0101	24	125	824	5	3,75	280	70	70	M16x33	M10x20		
FSG 7-125/2	1	000400-00	M0101	24	125	814	7	3,90	280	70	90	M20x34	M16x33	M10x16	66
FSH 4-170	1	000402-00	M0086	36	170	784	4	4,05	300	80	70	M16x33	M16x33	M6x12	36
FSH 4-170	2	000403-00	M0086	36	170	784	4	4,05	300	80	70	M16x33	M16x33		
FSH 8-170	1	000404-00	M0086	36	170	784	8	4,05	300	80	70	M24x35	M24x35	M10x16	46
FSH 8-170	2	000405-00	M0086	36	170	784	8	4,05	300	80	70	M24x35	M24x35		
FSG 4-170	1	000408-00	M0110	36	170	784	4	4,05	300	80	70	M16x33	M10x20	M6x12	36
FSG 4-170	2	000409-00	M0110	36	170	784	4	4,05	300	80	70	M16x33	M10x20		
FSG 8-170	1	000410-00	M0110	36	170	784	8	4,05	300	80	70	M24x35	M16x33	M10x16	46
FSG 8-170	2	000411-00	M0110	36	170	784	8	4,05	300	80	70	M24x35	M16x33		
FSG 5-170/1	1	000107-00	M0087	36	170	980	5	4,85	360	80	70	M16x33	M10x20	M6x12	36
FSG 5-170/1	2	000108-00	M0087	36	170	980	5	4,85	360	80	70	M16x33	M16x33		
FSG 6-170/1	1	000288-00	M0087	36	170	973	6	4,95	360	80	90	M24x35	M16x33	M10x16	66
* FSG - M10	3	000315-00	M0129	6	60	85	6	0,25	60		60	M10x16			
* FSG - M12	3	000316-00	M0129	6	60	85	7,5	0,26	60		60	M12x18			
* FSG - M16	3	000317-00	M0129	6	60	85	10	0,27	60		60	M16x20			

* Item on stock, dependent on demand

Outdoor / indoor bushings up to 45 kV

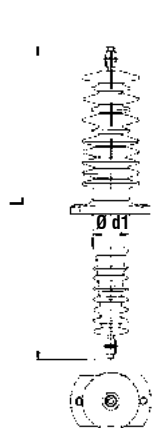


Fig. 1

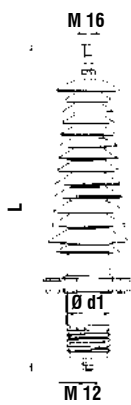


Fig. 2

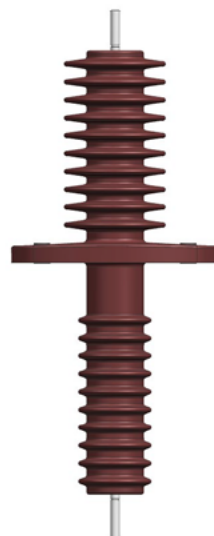
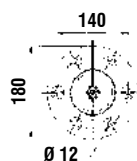


Fig. 3



Type	Fig.	Art. No.	Drawing No.	Lightning impulse withstand voltage	Rated voltage	Rated current	L	Creepage distance	Weight
				kV	kV	A	mm	mm	kg
GFD 12/250	1	004180-00	M0725	75	12	250	540	542	6,2
GFD 12/400	1	004181-00	M0725	75	12	400	540	542	6,6
GFD 12/630	1	004182-00	M0725	75	12	630	540	542	6,8
GFD 12/1000	1	004183-00	M0725	75	12	1000	540	542	9,5
GFD 24/200	3	021380-00	M3214	125	24	200	650	748	7,7
GFD 24/250	1	000294-00	M0069	125	24	250	735	815	8,2
GFD 24/400	1	000292-00	M0069	125	24	630	735	815	8,2
GFD 24/630	1	000293-00	M0069	125	24	1000	735	815	9,3
GFD 24/1000	1	000412-00	M0069	125	24	1000	735	815	11,20
GFD 36/400	1	000295-00	M0071	170	36	400	852	1310	13,5
GFD 36/630	1	000296-00	M0071	170	36	630	852	1310	14,3
GFD 36/1000	1	000475-00	M0071	170	36	1000	900	1310	16,4

Type	Fig.	Art. No.	Drawing No.	Rated voltage	Rated current	L	Creepage distance	Weight
				kV	A	mm	mm	kg
DTG 45s-M16	2	000193-00	M0444	36 / 52	250	639	970	8,9
DTG 45s-M12	2	000767-00	M0444	36 / 52	250	639	970	8,9

Composite Insulators

Relevant standards - overview

Standard with general specifications and testing

IEC 61109:2008	Insulators for overhead lines - Composite suspension and tension insulators for A.C. systems with a nominal voltage greater than 1 000 V - Definitions, test methods and acceptance criteria
IEC 62039:2007	Selection guide for polymeric materials for outdoor use under HV stress
IEC 62217:2012	Polymeric HV insulators for indoor and outdoor use - General definitions, test methods and acceptance criteria
IEC 60815-1:2008	Selection and dimensioning of high-voltage insulators intended for use in polluted conditions - Part 1: Definitions, information and general principles
IEC 61952:2008	Insulators for overhead lines - Composite line post insulators for A.C. systems with a nominal voltage greater than 1 000 V - Definitions, test methods and acceptance criteria
IEC 62231:2006	Composite station post insulators for substations with A.C. voltages greater than 1 000 V up to 245 kV - Definitions, test methods and acceptance criteria

Standard for fitting design and dimensions

IEC 61466-1:1997	Composite string insulator units for overhead lines with a nominal voltage greater than 1000 V - Part 1: Standard strength classes and end fittings
IEC 61466-2:1998	Composite string insulator units for overhead lines with a nominal voltage greater than 1000 V - Part 2: Dimensional and electrical characteristics
IEC 60120:1984	Dimensions of ball and socket couplings of string insulator units
IEC 60471:1977	Dimensions of clevis and tongue couplings of string insulator units

Product lines and applications of KUVAG products



High voltage

Broad variety of insulated bodies, barrier insulators, support insulators, bushings, tubes and switching rods for

- Gas insulated switchgear
- Generator circuit breakers
- Circuit breakers of all types
- Disconnectors
- HV transformers
- Cable joints & end plugs
- HV test equipment



Medium voltage

Vast range of insulators, housings, post insulators, bushings, resistors, indicating systems & LV current transformers applied in

- Gas insulated switchgear
- Air insulated switchgear
- Oil-type switchgear
- Vacuum interrupters
- MV transformers
- Distribution networks
- Tap changers
- HV test equipment



Traffic Engineering

Diverse solutions like third rail insulators, pantographs, loop insulators, post insulators, circuit breakers, and roof bushings for the use in

- Rolling stock (locomotives, tramways)
- Traffic infrastructure tramway, rail
- Traffic infrastructure metro systems
- Electro mobility



Industrial solutions

Custom-designed structural products made of various fiber-reinforced materials for diverse customer applications

- Coupling for wind turbines (ultra-high torsion)
- Tubes for MRI (Medical industry)
- Rolls and cores for paper industry
- Petrol industry
- Construction industry

Notes

About KUVAG Group

KUVAG is the leading specialist for development and production of insulators made of epoxy resin, composite and silicone materials. Our products are applied in various electrical systems (e.g. HV and MV switchgears, transformers, transmission and distribution) as well as in rail and medical technology. KUVAG offers both standard insulation products and tailor-made solutions of various kinds.

For more than 38 years we have supplied to switch gear manufacturers, utilities and railway companies across the world. With about 400 employees worldwide and four production sites in Europe and Asia KUVAG Group is the leading company in its field.

KUVAG Composites GmbH

Isolastraße 2,
D-52353 Düren,
Germany
Tel.: +49 (0) 2421 / 55 499
Fax: +49 (0) 2421 / 55 499 55
Email: sales@kuvag-composites.com

KUVAG ISOLA Composites GmbH

Isolastraße 2,
D-52353 Düren,
Germany
Tel.: +49 (0) 2421 / 55 499
Fax: +49 (0) 2421 / 55 499 55
Email: sales@kuvag-isola.com

KUVAG CZ, spol. s r.o.

Nádražní 489
CZ - 33501 Nepomuk
Czech Republic
Tel.: +420 371 512 200
Fax: +420 371 512 201
Email: office@kuvag.cz

HEADQUARTER

KUVAG GmbH & Co KG

Dragonerstraße 2
A - 4720 Neumarkt/ Hausruck
Austria
Tel.: +43 (0) 7733 / 5000-0
Fax: +43 (0) 7733 / 5000-43
Email: sales@kuvag.com

KUVAG (Xiamen) Electrical Technology Co., Ltd.

P.R. China, Xiamen, Haicang District,
Dongfu Road 2875, Building No. 1, 1st Floor
Postcode 361022
Tel.: +86 (0) 592 601 6361
Fax: +86 (0) 592 601 6362
Email: office@kuvag-xiamen.com



Fonseenintie 3, 00370
Helsinki, Finland

+358 9 870 0270
info@finnelectric.fi
www.finnelectric.fi

KUVAG

KUVAG Group

KUVAG GmbH & Co KG
Dragonerstraße 2
A - 4720 Neumarkt
Austria

Tel: +43 (0) 7733 5000 - 0
Fax: +43 (0) 7733 5000 - 43
sales@kuvag.com
www.kuvag.com