

PSU-24V_Hybrid

Power Storage Unit
Capacitive UPS without maintenance
Charging unit for Lead-Batteries



Combined UPS for High- and Low-Power Loads

Short time buffer for high power loads (e.g. Motors) by capacitor buffer,
Long time buffer for low power loads (e.g. RTUs) by additional
12V-battery.

Space saving and maintenance minimized solution

only one charging unit for battery and capacitor;
only one 12-V battery required for 24VDC output.

Buffer time of capacitors about 24h without recharging

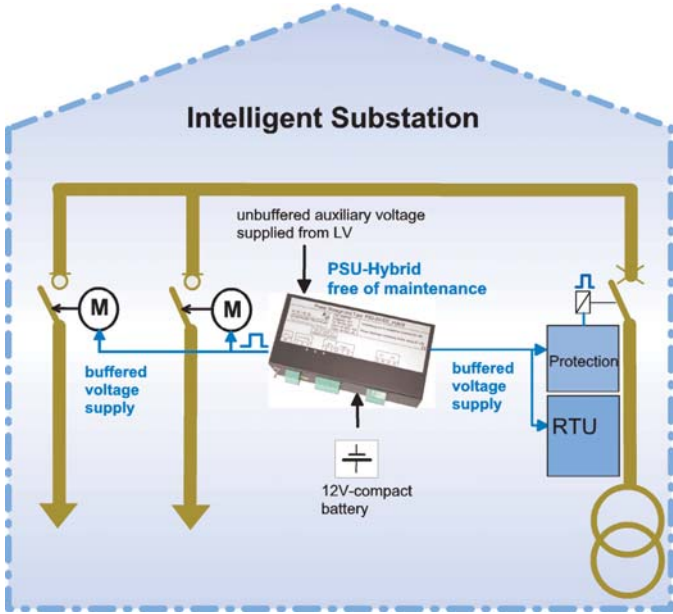
Example: 24VDC-Motor can operate up to 8 times after 24 h

Alarm Contacts for remote monitoring

Alarm contacts show charge of capacitors and battery failure.

In- and outputs for RTU connection

Relay output for remote monitoring of capacitor charge state and battery
problem. Remote quality test of battery by external input.



PSU-24V_Hybrid

Power Storage Unit
 Capacitive UPS without maintenance
 Charging unit for Lead-Batteries



Technical Data

Article Number: 2501703
 Auxiliary Voltage: 90 ... 264 V AC , 125 ... 375 V DC (three phase)

Output 1: Buffer for Motor or high power load by capacitor with 24 VDC, 10 A
 Output 2: Buffer for RTU or low power load by battery-modul with 24 VDC, 30 VA
 Output 3: Relay output (switch-over contact); "capacitor charged", $U_{Bat} > 10,5 V$

Capacitor:
 Capacity: 10 F
 Charge: 240 As
 Energy Content: 2880 Ws

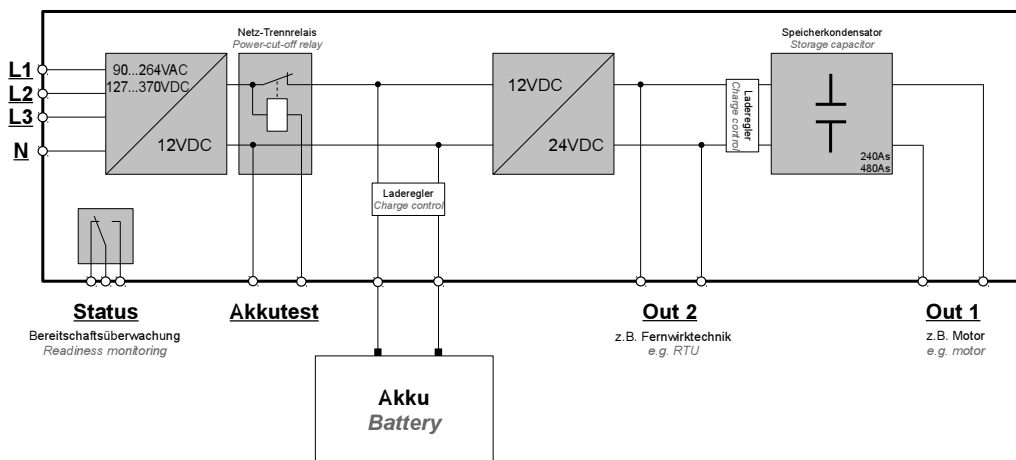
Battery-Modul:
 Capacity: Customer selectable
 Current: Settable for 2,2 Ah, 4,5Ah, 9Ah, 12,5Ah batteries

Dimensions: hxbxt = 225 x 105 x 110 mm
 Weight: 2 kg
 Protection Degree: IP 54

Operating Temperature: -25 ... +55 °C
 Storage Temperature: -30 ... +70 °C
 Life-Time: about 20 years @ 25 °C

Housing: Aluminum
 Mounting: C-bar

Block Diagram



Example of compact Battery suitable for PSU-Hybrid

