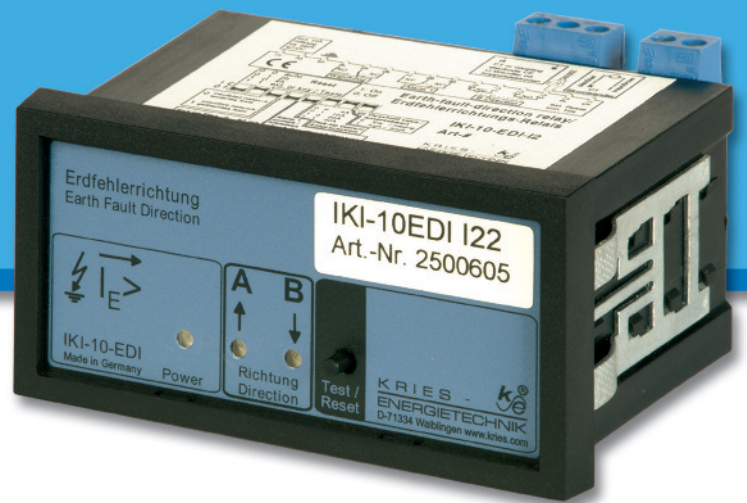


IKI-10EDI

Earth-fault direction indicator



Earth-fault direction indicator

IKI-10EDI-LR for low resistive or solidly terminated networks

IKI-10EDI-I2 for compensated or insulated networks

Detection of earth-fault direction in high-voltage networks.

Detection of earth-fault direction

Measurement of angle between zero-sequence voltage and zero-sequence current.

Possible replacement of voltage transformers by coupling electrodes

User adjustable parameters

Indication of function and earth fault direction by LEDs

Dry contacts for remote monitoring

For fault direction and watchdog.

Self test function

Activation by test button.



IKI-LINE



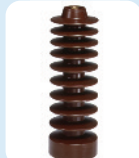
IKI-10EDI

Earth-fault direction indicator

Sensors for the measurement of zero-sequence values



Balanced current transformer



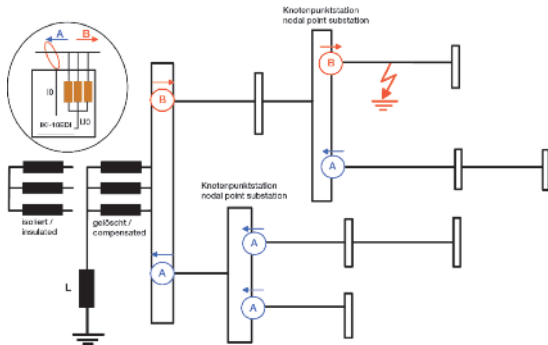
coupling electrode for air-insulated switch gears



Coupling electrode in high voltage T-plug



example of sensor installation



Example:
Earth-fault direction indication in inductive or insulated networks with IKI-10EDI-I2

Technical data IKI-10EDI

Indicator unit

Housing:	standard housing (according to DIN 43700) for front panel mounting
Dimensions:	h x w x d = 48 x 96 x 80 mm
Recommended cut:	h x w = 45 x 92 mm
Auxiliary power supply:	24 ... 230 VAC/DC
Outputs:	1 NO, 1 NC for fault direction B, 1 change-over contact for fault direction A
Power rating of relay contacts:	U _{max} = 110 VDC, 230 VAC I _{max} = 5 A, 150 W
Indication:	LEDs: direction A, B, power
Reset:	2 h / 4 h / automatically / remotely / manually
Protection class:	IP40
Operating temperature:	-25°C to +55°C
Storage temperature:	-30°C to +70°C
Types for low resistive terminated networks:	IKI-10EDI-LR
Part number:	2500602 / 2500603
Types for compensated or insulated networks:	IKI-10EDI-I2
Part number:	2500604 / 2500605

Coupling electrodes

Types for air-insulated switch gears	
up to 12 kV / 24 kV:	OKE 12 / OKE 24
Part number:	2037181 / 2037182
Types for symmetrical T-shaped plug	
up to 12 kV / 24 kV:	OAS 12 / OAS 24
Part number:	2038341 / 2037863

Balanced current transformer

Inside diameter:	Ø = 160 mm
Type:	IKI-10SU_ED1
Ampacity:	1000 A permanently (low resistive terminated networks) 150 A permanently (compensated or insulated networks)
Core:	split core
Part number:	2500608