

CHARACTERISTICS

Enclosure and door with formed corners manufactured from pre-satinized AISI 304L stainless steel sheet (AISI 316L on request). Flat mounting plate manufactured from sendzimir sheet steel with slots in the corners. Hinges in stainless steel.

SUPPLY

- Box complete with:
- mounting plate
 - door with locking system (box and insert in zinc alloy, lever in stainless steel) with Ø 3mm double bar key
 - package with screws for earth connection and mounting plate.

PROTECTION RATING

- IP66 complying with IEC EN62208; EN62262
- NEMA 4X complying with UL508A; UL50
- protection degree guaranteed by the two-component silicone foam seal*
- impact resistance IK10 complying with IEC EN62208; EN62262.

From size 600x800, box supplied with door rails already mounted.

STAINLESS STEEL BOX WITH SINGLE BLANK DOOR

CODE UNTIL 31/05/2022	CODE FROM 01/06/2022	AVAILABLE	BOX DIMENSIONS			M. PLATE DIM.		N. LOCKS / TYPE	CODE UNTIL 31/05/2022	CODE FROM 01/06/2022	AVAILABLE	BOX DIMENSIONS			M. PLATE DIM.		N. LOCKS / TYPE
			B	A	P	L	H					B	A	P	L	H	
ECOR2-315X	EC020315X	■	200	300	150	150	250	1	ECOR6-420X	EC060420X	■	600	400	200	550	350	1
ECOR3-315X	EC030315X	■	300	300	150	250	250	1	ECOR6-520X	EC060520X	■	600	500	200	550	450	2
ECOR3-320X	EC030320X	■	300	300	200	250	250	1	ECOR6-620X	EC060620X	■	600	600	200	550	550	2
ECOR3-415X	EC030415X	■	300	400	150	250	350	1	ECOR6-625X	EC060625X	■	600	600	250	550	550	2
ECOR3-420X	EC030420X	■	300	400	200	250	350	1	ECOR6-630X	EC060630X	■	600	600	300	550	550	2
ECOR4-315X	EC040315X	■	400	300	150	350	250	1	ECOR6-820X	EC060820X	■	600	800	200	550	750	2
ECOR4-320X	EC040320X	■	400	300	200	350	250	1	ECOR6-825X	EC060825X	■	600	800	250	550	750	2
ECOR4-420X	EC040420X	■	400	400	200	350	350	1	ECOR6-830X	EC060830X	■	600	800	300	550	750	2
ECOR4-425X	EC040525X	■	400	400	250	350	350	1	ECOR6-1030X	EC061030X	■	600	1000	300	550	950	2
ECOR4-520X	EC040520X	■	400	500	200	350	450	1	ECOR6-1230X	EC061230X	■	600	1200	300	550	1150	ROD SYST.
ECOR4-620X	EC040620X	■	400	600	200	350	550	2	ECOR8-630X	EC080630X	■	800	600	300	750	550	2
ECOR4-625X	EC040625X	■	400	600	250	350	550	2	ECOR8-830X	EC080830X	■	800	800	300	750	750	2
ECOR5-520X	EC050520X	■	500	500	200	450	450	1	ECOR8-1030X	EC081030X	■	800	1000	300	750	950	2
ECOR5-525X	EC050525X	■	500	500	250	450	450	1	ECOR8-1230X	EC081230X	■	800	1200	300	750	1150	ROD SYST.
ECOR5-530X	EC050530X	■	500	500	300	450	450	1	ECOR8-1430X	EC081430X	■	800	1400	300	750	1350	ROD SYST.
ECOR5-620X	EC050620X	■	500	600	200	450	550	2									
ECOR5-720X	EC050720X	■	500	700	200	450	650	2									
ECOR5-725X	EC050725X	■	500	700	250	450	650	2									

- IN STOCK
- UPON REQUEST

Until May 31, 2022, add the "H" suffix to the code to order the AISI316L steel item (i.e.: ECOR2-315XH).

After June 1, 2022, replace the "X" suffix with an "H" to order the AISI316L steel item (i.e.: EC020315H).

Available upon request.



CHARACTERISTICS

Enclosure and door with formed corners manufactured from pre-satinized AISI 304L stainless steel sheet (AISI 316L on request). Flat mounting plate manufactured thick sendzimir sheet steel provided with slots in the corners. Hinges in stainless steel.



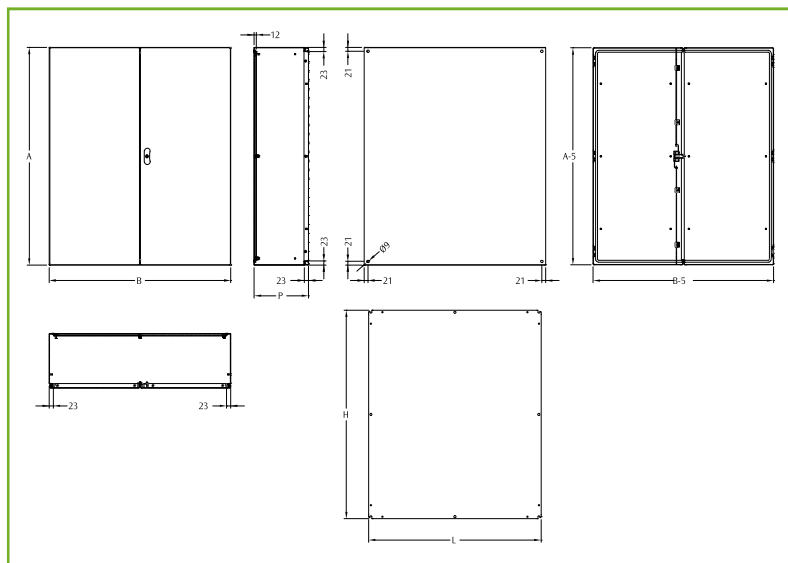
SUPPLY

Box complete with:

- mounting plate
- door with locking system (insert in zinc alloy, lever in stainless steel) with Ø 3mm double bar key
- package with screws for earth connection and mounting plate.

PROTECTION RATING

- IP55 complying with IEC EN62208; EN62262
- NEMA 12 complying with UL508A; UL50
- protection degree guaranteed by the two-component silicone foam seal
- impact resistance IK10 complying with IEC EN62208; EN62262.



- IN STOCK
- UPON REQUEST

STAINLESS STEEL BOX WITH DOUBLE BLANK DOOR

CODE UNTIL 31/05/2022	CODE FROM 01/06/2022	AVAILABLE	BOX DIMENSIONS			M.PLATE DIM.		CODE UNTIL 31/05/2022	CODE FROM 31/05/2022	AVAILABLE	BOX DIMENSIONS			M.PLATE DIM.	
			B	A	P	L	H				B	A	P	L	H
ECOR10-830X	EC100830X	■	1000	800	300	950	750	ECOR12-830X	EC120830X	■	1200	800	300	1150	750
ECOR10-1030X	EC101030X	■	1000	1000	300	950	950	ECOR12-1230X	EC121230X	■	1200	1200	300	1150	1150
ECOR10-1230X	EC101230X	■	1000	1200	300	950	1150								

Stainless steel

Until May 31, 2022, add the "H" suffix to the code to order the AISI316L steel item (I.e.: ECOR2-315XH).
After June 1, 2022, replace the "X" suffix with an "H" to order the AISI316L steel item (I.e.: EC020315H).

SPARE PARTS - E COR STAINLESS STEEL

DIMENSIONS			MOUNTING PLATE	DIMENSIONS			MOUNTING PLATE
L	H	P		L	H	P	
200	300	150	ECPA-020030	600	400	200	ECPA-060040
300	300	150	ECPA-030030	600	600	200	ECPA-060060
300	400	150	ECPA-030040	600	600	250	ECPA-060060
300	400	200	ECPA-030040	600	600	300	ECPA-060060
400	300	150	ECPA-040030	600	800	200	ECPA-060080
400	400	200	ECPA-040040	600	800	250	ECPA-060080
400	400	250	ECPA-040040	600	800	300	ECPA-060080
400	500	200	ECPA-040050	600	1200	300	ECPA-060120
400	600	200	ECPA-040060	800	800	300	ECPA-080080
400	600	250	ECPA-040060	800	1000	300	ECPA-080100
500	500	200	ECPA-050050	800	1200	300	ECPA-080120
500	500	250	ECPA-050050	1000	1000	300	ECPA-100100
500	700	200	ECPA-050070	1000	1200	300	ECPA-100120
500	700	250	ECPA-050070				

For any requirement following your purchase order, the spare parts listed in the table can be ordered.





CHARACTERISTICS

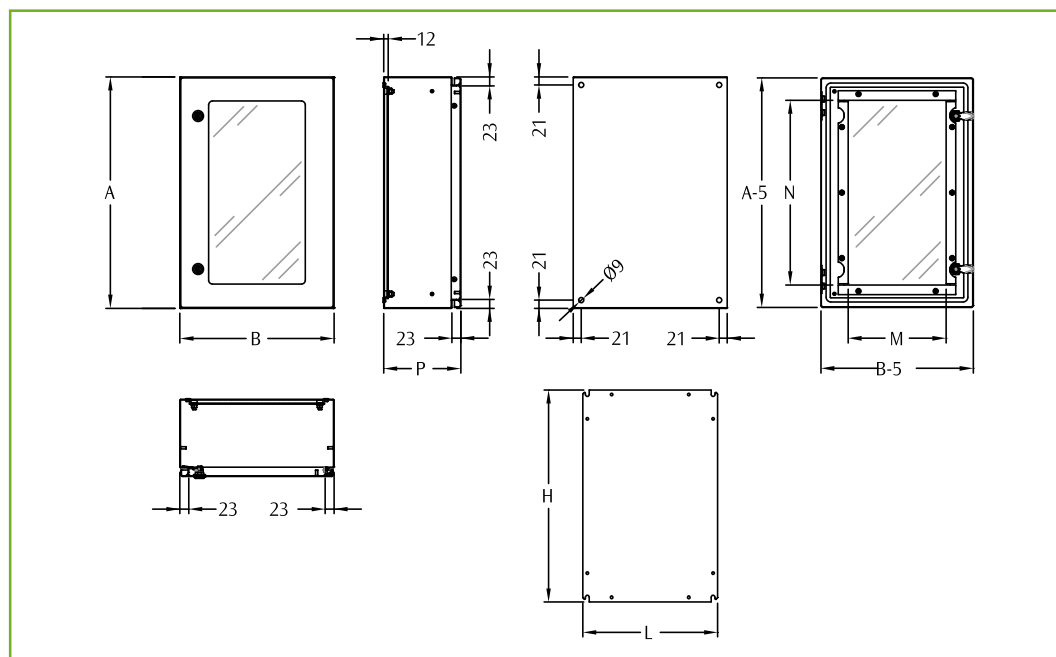
Enclosure manufactured from pre-satinized AISI 304L stainless steel sheet (AISI 316L on request). Plexi door with formed corners, silicone seal and plexiglass (fixed with a frame). Flat mounting plate manufactured from sendzimir sheet steel with slots in the corners. Hinges in stainless steel.

SUPPLY

- Box complete with:
- mounting plate
 - door with locking system (box and insert in zinc alloy, lever in stainless steel) with Ø 3mm double bar key, and silicone seal
 - package with screws for earth connection and mounting plate.

PROTECTION RATING

- IP66 complying with IEC EN62208; EN62262
- NEMA 12 complying with UL508A; UL50
- protection degree guaranteed by the two-component silicone foam seal.
- impact resistance IK10 complying with IEC EN62208; EN62262.



Stainless steel

STAINLESS STEEL BOX WITH PLEXI DOOR

CODE UNTIL 31/05/2022	CODE FROM 01/06/2022	BOX DIMENSIONS			DOOR SPACE		MOUNT. PLATE DIM.		NR. OF LOCKS
		B	A	P	M	N	L	H	
ECOR3-420PVX	EC030420X.P	300	400	200	150	275	250	350	1
ECOR4-520PVX	EC040520X.P	400	500	200	250	375	350	450	1
ECOR4-620PVX	EC040620X.P	400	600	200	250	475	350	550	2
ECOR5-725PVX	EC050725X.P	500	700	250	350	575	450	650	2
ECOR6-820PVX	EC060820X.P	600	800	200	450	675	550	750	2
ECOR6-825PVX	EC060825X.P	600	800	250	450	675	550	750	2
ECOR8-1030PVX	EC081030X.P	800	1000	300	650	875	750	950	2

Until May 31, 2022, add the "H" suffix to the code to order the AISI316L steel item (i.e.: ECOR4-620PVXH). After June 1, 2022, replace the "X" suffix with an "H" to order the AISI316L steel item (i.e.: EC040620H.P). Available on request.

FUNCTIONAL FRAME ECMI

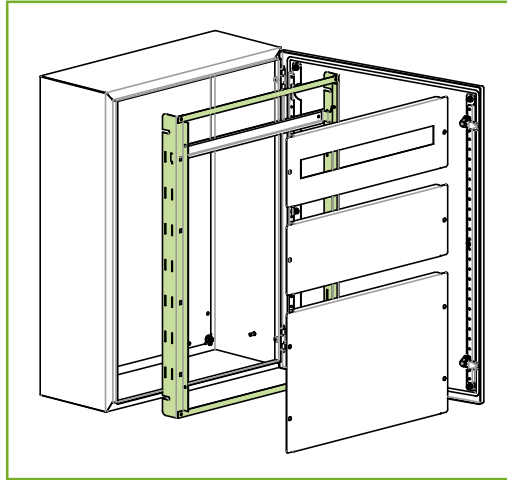
CHARACTERISTICS

Internal frame for the assembly of modular panels and DIN rails. Manufactured from stainless steel sheet AISI304L (on request AISI316L).

SUPPLY

Includes 1 piece with mounting accessories.

For boxes with D=150 mm, the functional frame is not used



FUNCTIONAL FRAME

ECMI CODE	DIMENSIONS		DESCRIPTION
	WIDTH	HEIGHT	
ECMI-040060X	400	600	3 rows for 14 DIN modules
ECMI-060080X	600	800	4 rows for 25 DIN modules
ECMI-080100X	800	1000	5 rows for 36 DIN modules

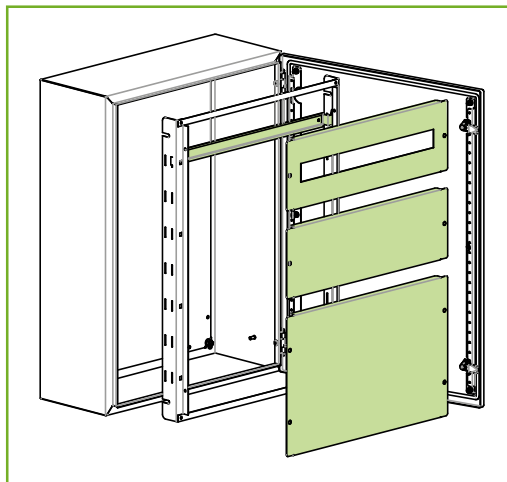
MODULAR PANELS ECPM/ECAV

CHARACTERISTICS

Modular panels manufactured from stainless steel sheet AISI304L (AISI 316L on request). Available in blank version or for DIN rail, they can be easily mounted on E COR boxes using the functional frame ECMI.

SUPPLY

Includes 1 piece with mounting accessories (ECPM panel including 2 brackets and DIN rail).



Stainless steel

MODULAR PANELS FOR DIN RAILS*

ECPM CODE	DIMENSIONS		NO. OF MODULES
	WIDTH	HEIGHT	
ECPM-040180X	400	180	14
ECPM-060180X	600	180	25
ECPM-080180X	800	180	36

* DIN rails and brackets included

MODULAR BLANK PANELS

ECAV CODE	DIMENSIONS	
	WIDTH	HEIGHT
ECAV-040180X	400	180
ECAV-060180X	600	180
ECAV-060360X	600	360
ECAV-080180X	800	180
ECAV-080360X	800	360

DIN RAIL WITH BRACKETS

ECDI CODE	DIMENSIONS		NO. OF MODULES
	WIDTH	HEIGHT	
ECDI-014040	400	14	
ECDI-025060	600	25	
ECDI-036080	800	36	

INNER DOOR ECPO

CHARACTERISTICS

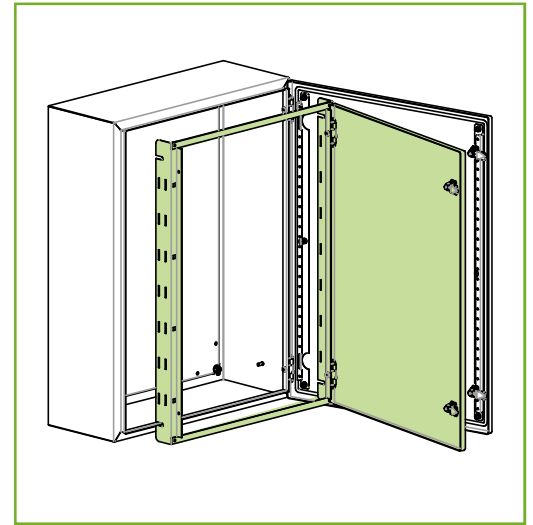
Manufactured from stainless steel sheet AISI304L (on request AISI316L).

SUPPLY

Includes 1 piece with ECMI frame, hinges, closing systems and screws.

PROTECTION RATING

IP2X.



Available for E COR P=150 mm.

INNER DOOR		
ECPO CODE	DIMENSIONS	
	WIDTH	HEIGHT
ECPO1-34X	300	400
ECPO1-45X	400	500
ECPO1-46X	400	600
ECPO1-57X	500	700
ECPO1-68X	600	800
ECPO1-810X	800	1000

LOCK WE001X

For food industry or special applications in harsh environments where high hygienic standards are required, a specific locking system is available.

WE002X key to be ordered separately.



RAIN CANOPY ECTT

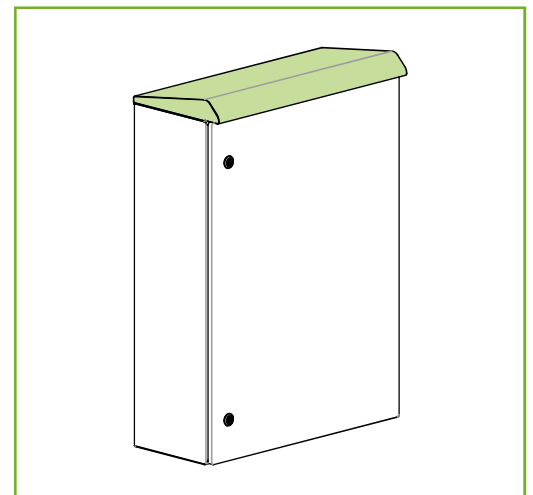
Particularly suitable for outdoor installations where it is required an additional protection against atmospheric agents.

CHARACTERISTICS

Manufactured from AISI 304L stainless steel sheet (AISI 316L available on request).

SUPPLY

Includes 1 piece with mounting accessories.



Dimensions min. 400x200 and max. 1000x200 managed as ECTT, lower and upper dimensions managed as TTX.

CANOPY		
ECTT CODE	DIMENSIONS	
	WIDTH	DEPPTH
ECTT1-04X	400	200
ECTT1-05X	500	200
ECTT2-05X	500	250
ECTT1-06X	600	250
ECTT2-08X	800	300

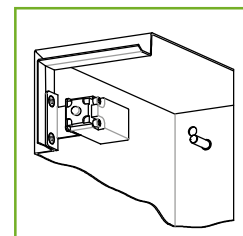
MICROSWITCH W1100ST

CHARACTERISTICS

Complying with standards IEC337-VDE0660. Mounting bracket manufactured from sendzimir sheet steel for a fast-assembly on ST wall-mounting boxes.

SUPPLY

- microswitch
- mounting bracket
- screws



Stainless steel

PLINTH EUZX

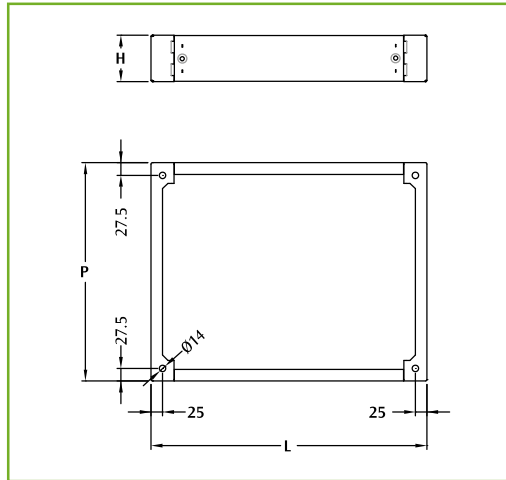
CHARACTERISTICS

Front crosspieces and side crosspieces with integrated corners manufactured from AISI 304L stainless steel (AISI 316L on request).

SUPPLY

The plinth is made up of:

- front crosspieces: supply includes 2 pieces
- side crosspieces with integrated corners: supply includes 2 pieces with mounting screws.



DIMENSIONAL SPECIFICATIONS

BOX DIMENSIONS		PLINTH DIM.	
L	P	L	P
600	300	600	275
800	300	800	275
1000	300	1000	275

SIDE CROSSPIECES WITH INTEGRATED CORNERS E COR

EUZX CODE	DESCRIPTION	CROSSPIECES HEIGHT	
		MM	
EUZX-P0300P	SIDE CROSSPIECES WITH INTEGRATED CORNERS FOR PLINTH D=300	100	
EUZX-P0300PD	SIDE CROSSPIECES WITH INTEGRATED CORNERS FOR PLINTH D=300	200	

FRONT CROSSPIECES E COR

EUZX CODE	DESCRIPTION
EUZX-L0600M	FRONT CROSSPIECES FOR PLINTH W=600
EUZX-L0800M	FRONT CROSSPIECES FOR PLINTH W=800
EUZX-L1000M	FRONT CROSSPIECES FOR PLINTH W=1000

To order the plinth H=200 mm, order 2 packages of front crosspieces (i.e. Plinth H=200 mm dim. 600x300: 1 x EUZX-P0300PD + 2 x EUZX-L0600M).

To order the item in higher grade AISI316L, add the suffix "H" to the code (i.e. EUZX-P0300PH).

Stainless steel

WALL MOUNTING BRACKETS SDWCX-010

CHARACTERISTICS

Manufactured from AISI316L stainless steel.

SUPPLY

Includes 4 pieces.



DOOR STOP WA061X

It allows the mechanical stop of the door (90°), preventing the accidental closing.

SUPPLY

Supply includes 1 piece with mounting accessories.

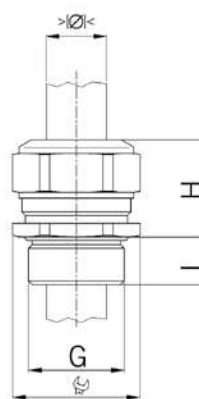
Stainless steel cable glands are available (see pages 267 and 268).



For your special projects, we offer a wide range of tested cable glands that have been designed to guarantee safe and performing solutions!

From simplified to complex and harsh applications areas, a specific solution for the cabling is available:


- 1 Generic industrial business
- 2 Transportation: high vibrating loads and high levels of chemical pollution
- 3 Marine industry: specific requirements
- 4 Electronically-controlled substations: EMC requirements
- 5 Food industries: anti-bacterial substances for high level of safety
- 6 Chemical industry and off-shore: potentially explosive atmospheres




STAINLESS STEEL CABLE GLANDS

Material: stainless steel
 Seal: TPE for A2; FPM for A4
 O-ring: NBR for A2; FPM for A4
 Strain relief: Ver. A
 Temperature range: -40° / + 100°C for A2; -40° / + 200°C for A4
 Protection rating: IP 68 up to 10 bar

STAINLESS STEEL CABLE GLANDS
 Long entry thread metric, two-piece sealing insert not overall length insulated

G	>Ø< min mm	>Ø< max mm	 mm	H mm	L mm	CODE (STAINLESS STEEL A2)	CODE (STAINLESS STEEL A4)	M.o.q.
M16x1.5	6.0	10.5	19	20	10	WP17105X2	WP17105X4	50
M20x1.5	8.0	15.0	24	21	10	WP20150X2	WP20150X4	50
M25x1.5	12.5	20.5	30	25	11	WP25205X2	WP25205X4	25
M32x1.5	17.0	25.5	36	28	13	WP32255X2	WP32255X4	25
M40x1.5	24.0	33.0	46	31	13	WP40330X2	WP40330X4	10
M50x1.5	33.0	42.0	55	34	14	WP50420X2	WP50420X4	10
M63x1.5	40.0	52.0	70	37	14	WP63520X2	WP63520X4	5

 Stainless steel A4 is acid-resistant and suitable for high temperatures.

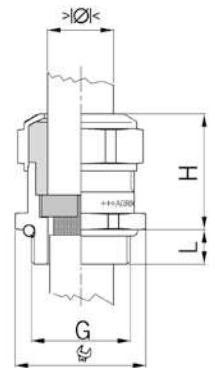
Harsh environments



CABLE GLANDS FOR EMC APPLICATIONS


This range guarantees full control during installation and compensates for tolerances in shielding thicknesses to make a secure screened tap connection. The spring system provides for a very good contact of partially stripped shielding cables equally as well as for the contact of completely exposed cable shields which can be routed further.

Material: nickel-plated brass
 Contact spring: steel 1.4310
 Seal: TPE
 O-ring: NBR
 Strain relief: according to IEC EN 6244, Ver. A
 Temperature range: -40° / + 100°C
 Protection rating: IP 68 / IP 69K



CABLE GLANDS FOR EMC APPLICATIONS

Two-piece sealing insert, not overall length insulated

G	>Ø< min mm	>Ø< max mm	 mm	H mm	L mm	Code (short entry thread metric)	L mm	CODE (long entry thread metric)	M.o.q.	NOTE
M12x1.5	3.5	5.0	15	22	5	WP12050EC	10	WP12050EL	50	1
M12x1.5	5.0	6.5	15	22	5	WP12065EC	10	WP12065EL	50	1
M16x1.5	6.0	10.5	18	25	5	WP17105EC	10	WP17105EL	50	-
M20x1.5	8.0	15.0	24	27	6	WP20150EC	10	WP20150EL	50	-
M25x1.5	12.5	20.5	30	33	7	WP25205EC	11	WP25205EL	25	-
M32x1.5	17.0	25.5	36	33	8	WP32255EC	13	WP32255EL	25	-
M40x1.5	24.0	33.0	46	38	8	WP40330EC	13	WP40330EL	10	2
M50x1.5	33.0	42.0	55	42	9	WP50420EC	14	WP50420EL	10	2
M63x1.5	40.0	52.0	70	42	10	WP63520EC	14	WP63520EL	5	2

1 - one piece sealing insert
 2 - approval pending

FURTHER OPTIONS AVAILABLE

CABLE GLANDS FOR FOOD INDUSTRY

Ultra-flat cable glands offering very little surface for contamination; manufactured from stainless steel A2, temperature range -40°/+200° and protection rating IP68. Available with or without EHEDG certification.

CABLE GLANDS FOR OUTDOOR APPLICATIONS

Ultra-flat cable glands inhibiting any manipulation from outside, with no contact surface for interference. Manufactured from nickel-plated brass, temperature range -40°/+100° and protection rating IP68.

CABLE GLANDS FOR POTENTIALLY EXPLOSIVE ATMOSPHERES

Cable glands designed for Ex d IIC and increased safety Ex e II applications; manufactured in nickel-plated brass (stainless steel version available on request), temperature range -60°/+100°, protection rating IP68.
 Certificate: EC-Type PTB 10 ATEX 1034X / IECEx PTB 12.0055
 Certificate: SEV 15 ATEX 0152X / IECEx SEV 15.0019X



Harsh environments



For any further request, do not hesitate to contact our Sales team.