



Electronic Products and Relays Selection tables

Electronic products and relays

The product range



1 Time relays, CT range

Three ranges of electronic timers provide timing functions for all applications: the CT-D range with a width of just 17.5 mm; the CT-E range, the ideal solution for serial applications; and the CT-S range that has two different types of connection terminals and is ideally suited for universal use. The CT range has a wide variety of timing functions (from ON or OFF delay to star-delta changeover). The time relays are available with output relays, solid-state outputs and precise direct time adjustment.



4 Signal converters, CC range and ILPH

The ABB serial data converters allow communication to be established between units with different communication standards. In order to assure process continuity, existing systems must be updated consistently or connected to new devices. Serial data enables communication to be established if the communication standard of the existing system and the connected device vary. As well as converting signals, analog signal converters and serial data converters can amplify, filter or separate signals.



2 Measuring and monitoring relays, CM range

State of the Art monitors for single and three-phase systems. Monitoring of: voltage, current, frequency, power factor (motor load), thermistors, temperature, liquid level, insulation resistance, and grid feeding. ABB has one of the world's widest product ranges of measuring and monitoring relays. The CM range is a key product line of the EPR range.



5 Interface relays and optocouplers, CR range and R600

Interface relays and optocouplers are widely used in various industrial applications. As an interface, they link the controller, e.g. PLC (programmable logic controller), PC or field bus systems to the sensor/actuator level. Here, they have various functions: switching AC or DC loads with different resistive, inductive and capacitive parts, switching voltages from a few mV up to 250 V, switching currents from a few mA up to 16 A, amplification of weak control signals, electrical isolation of control and load circuits, and signal multiplying.



3 Power supplies, CP range

Modern power supply units are a vital component in most areas of energy management and automation technology. As your global partner in this area, ABB pays close attention to corresponding requirements. Innovation is the key to the substantial enlargement of our power supply product range. ABB offers four different product lines for single and three-phase supplies, output voltages 5/12/24, and 48 VDC in plastic and metal enclosure, as well as various accessories.



6 Logic relays, CL range

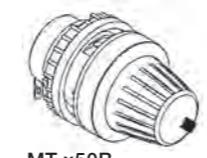
CL range logic relays are suitable for small and medium-sized control tasks and can substitute logic wiring quickly and easily. Three different ranges are available: stand alone, expandable and the display systems.

Time Relays CT-D & CT-S Range

Time Relays CT-D & CT-S Range - Accessories & Dimensions

Order number	CT-MFD.12	CT-MFD.21	CT-ERD.12	CT-ERD.22	CT-AHD.12	CT-AHD.22	CT-VWD.12	CT-VWD.22	CT-EBD.12	CT-TGD.12	CT-TGD.22	CT-SDD.22	CT-SAD.22	CT-MVS.21	CT-MVS.22	CT-MVS.23	CT-MVS.22	CT-MXS.22	CT-MFS.21	CT-MBS.22	CT-WBS.22	CT-ERS.21	CT-ERS.22	CT-ERS.12	CT-APS.21	CT-APS.22	CT-APS.12	CT-AHS.22	CT-ARS.11	CT-ARS.21	CT-VBS.17	CT-VBS.18	CT-SDS.22	CT-SDS.23			
Type	1SVR 500 020 R0000	1SVR 500 020 R1100	1SVR 500 100 R0000	1SVR 500 100 R0100	1SVR 500 110 R0000	1SVR 500 110 R0100	1SVR 500 130 R0000	1SVR 500 150 R0000	1SVR 500 160 R0000	1SVR 500 160 R0100	1SVR 500 211 R0100	1SVR 500 210 R0100	1SVR xxx 020 R0200	1SVR xxx 020 R3300	1SVR xxx 021 R2300	1SVR xxx 020 R3100	1SVR xxx 030 R3300	1SVR xxx 010 R0200	1SVR xxx 010 R3200	1SVR xxx 040 R3300	1SVR xxx 100 R0300	1SVR xxx 100 R3300	1SVR xxx 100 R3100	1SVR xxx 180 R0300	1SVR xxx 180 R3300	1SVR xxx 180 R3100	1SVR xxx 110 R3300	1SVR xxx 120 R3100	1SVR xxx 120 R3300	1SVR 430 261 R6000	1SVR 430 261 R5000	1SVR xxx 210 R3300	1SVR xxx 211 R2300				
Functions	■	■	■	■	■	■	■	■	■	■	■	■	■	■	■	■	■	■	■	■	■	■	■	■	■	■	■	■	■	■	■	■	■	■	■	■	
Further functions	■	■	■	■	■	■	■	■	■	■	■	■	■	■	■	■	■	■	■	■	■	■	■	■	■	■	■	■	■	■	■	■	■	■	■	■	■
Time range	■	■	■	■	■	■	■	■	■	■	■	■	■	■	■	■	■	■	■	■	■	■	■	■	■	■	■	■	■	■	■	■	■	■	■	■	■
Supply voltage	■	■	■	■	■	■	■	■	■	■	■	■	■	■	■	■	■	■	■	■	■	■	■	■	■	■	■	■	■	■	■	■	■	■	■	■	■
Output	1	2	1	2	1	2	1	1	1	2	2	2	2	2	2	1	2	2	2	2	2	2	2	1	2	2	1	2	1	2	2	2	2	2	2	2	

stock items



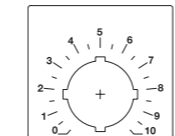
MT-x50B



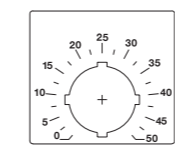
30 mm adapters



Marker label
29.6 x 44.5 mm



Marker label
with scale 0-10
48.5 x 44.5 mm



Marker label
with scale 0-50
48.5 x 44.5 mm

Remote potentiometer
50 kΩ ±20 % - 0,2 Ω, degree of protection IP66

Material	Diameter in mm	Type	Order code	Pack.-unit pieces	Weight 1 piece g / oz
Plastic, black	22.5	MT-150B	MT-150B	1	0.040
Metal, chrome	22.5	MT-350B	MT-350B	1	0.048

30 mm adapter for attaching the potentiometer 22 mm in 30 mm mounting hole

Material	Type	Order code	Pack.-unit pieces	Weight 1 piece g / oz
Plastic, black	KA1-8029	KA1-8029	1	
Metal, chrome	KA1-8030	KA1-8030	1	

Marker label

Caption	Type	Order code	Pack.-unit pieces	Weight 1 piece g / oz
Symbol (see illustration)	SK 615 562-87	SK 615 562-87	1	0.002
Scale 0 - 10	CBK-NPEPOT	CBK-NPEPOT	1	0.002
Scale 0 - 50		1SFA611930R1252	1	0.002

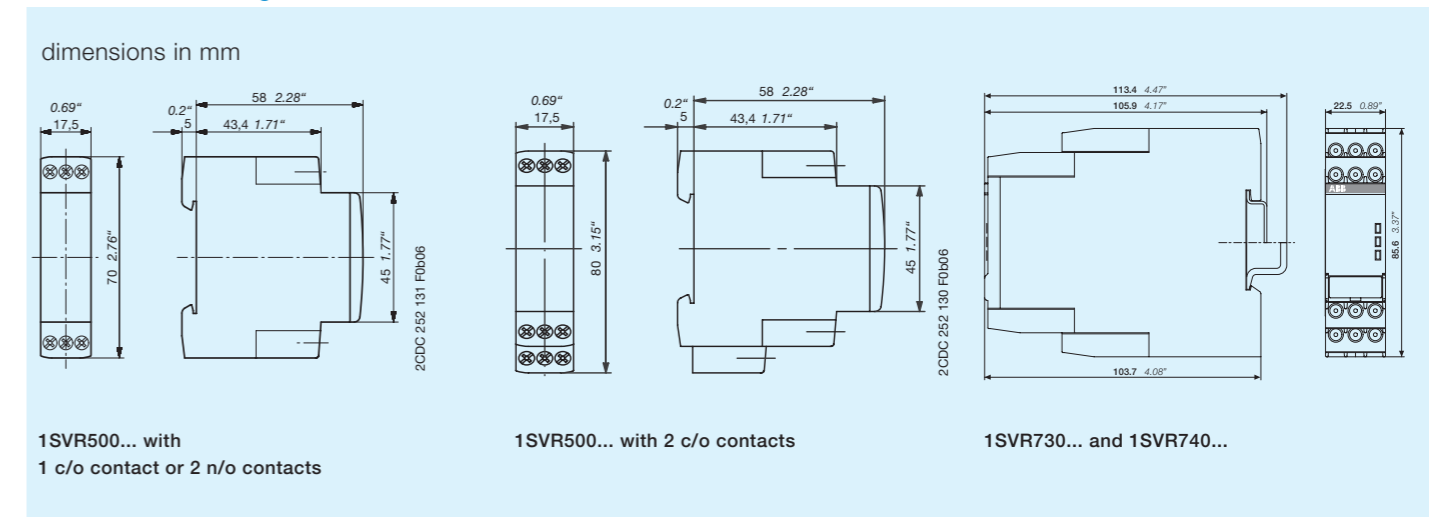
Accessories

Material	for devices	Type	Order code	Pack.-unit pieces	Weight 1 piece g / oz
Adapter for screw mounting	CT-S	ADP.01	1SVR430029R0100	1	18.4/0.65
Sealable transparent cover	22.5 mm	COV.01	1SVR430005R0100	1	5.2/0.18
Sealable transparent cover	CT-S/P/S 22.5 mm	COV.11	1SVR730005R0100	1	4 / 0.129

Marker label

Material	for devices	Type	Order code	Pack.-unit pieces	Weight 1 piece g / oz
Marker	CT-S without DIP switch	MAR.01	1SVR366017R0100	10	0.19/0.007
Marker	CT-S with DIP switch	MAR.02	1SVR430043R0000	10	0.13/0.005
Marker	CT-S/S/P with DIP switch	MAR.12	1SVR730006R0000	10	0.152/0.335

Dimensional drawings



Time Relays CT-E Range

1

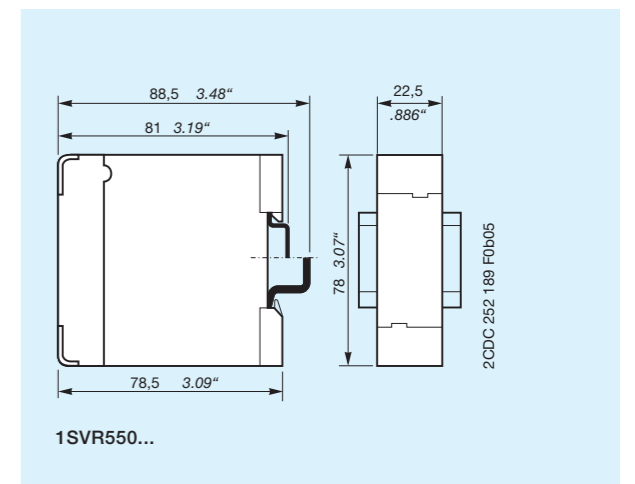
Type	Order number
CT-MFE	1SVR550029R8100
	1SVR550107R1100
	1SVR550107R4100
	1SVR550107R2100
CT-ERE	1SVR550107R5100
	1SVR550100R1100
	1SVR550100R4100
	1SVR550100R2100
CT-AHE	1SVR550100R5100
	1SVR550118R1100
	1SVR550118R4100
	1SVR550118R2100
CT-AHE	1SVR550110R1100
	1SVR550110R4100
	1SVR550110R2100
	1SVR550111R1100
CT-ARE	1SVR550111R4100
	1SVR550111R2100
	1SVR550127R1100
	1SVR550127R4100
CT-ARE	1SVR550120R1100
	1SVR550120R4100
	1SVR550137R1100
	1SVR550137R4100
CT-VWE	1SVR550137R2100
	1SVR550130R1100
	1SVR550130R4100
	1SVR550130R2100
CT-AWE	1SVR550158R3100
	1SVR550150R3100
	1SVR550151R3100
	1SVR550148R1100
CT-AWE	1SVR550148R4100
	1SVR550148R2100
	1SVR550140R1100
	1SVR550140R4100
CT-AWE	1SVR550140R2100
	1SVR550141R1100
	1SVR550141R4100
	1SVR550141R2100
CT-EBE	1SVR550167R1100
	1SVR550160R1100
	1SVR550207R1100
	1SVR550207R4100
CT-YDE	1SVR550207R2100
	1SVR550200R1100
	1SVR550200R4100
	1SVR550200R2100
CT-SDE	1SVR550217R4100
	1SVR550210R4100
	1SVR550212R4100
	1SVR550019R0000
CT-EKE	1SVR550509R1000
	1SVR550509R4000
	1SVR550509R2000
	1SVR550519R1000
CT-AKE	1SVR550519R4000
	1SVR550519R2000

Functions																														
ON-delay	■	■	■	■	■	■	■	■	■	■	■	■	■	■	■	■	■	■	■	■	■	■	■	■	■	■	■	■	■	
OFF-delay	■	■	■	■	■	■	■	■	■	■	■	■	■	■	■	■	■	■	■	■	■	■	■	■	■	■	■	■	■	■
Impulse-ON	■																													
Impulse-OFF																														
Flasher starting with ON	■																													
Flasher starting with OFF	■																													
Pulse former	■																													
Star-delta change-over twice ON-delayed	■																													
Further functions																														
Control Input	■																													
without auxiliary voltage																														
Time range																														
0.05 s - 100 h	■																													
0.05 s - 1 s																														
0.1 s - 10 s		■																												
0.3 s - 30 s			■																											
3 s - 300 s				■																										
0.3 min - 300 min					■																									
Supply voltage																														
24-240 V AC																														
24-240 V AC/DC	■																													
110-130 V AC																														
24 V AC/DC																														
220-240 V AC		■	■	■	■	■	■	■	■	■	■	■	■	■	■	■	■	■	■	■	■	■	■	■	■	■	■	■	■	
380-415 V AC																														
Output																														
c/o contact	1	1	1	1	1	1	1	1	1	1	1	1	1	1	1	1	1	1	1	1	1	1	1	1	1	1	1	1		
n/o contact																														
n/c contact																														
Solid-state																														

■ stock items

Dimensional drawings

dimensions in mm



1

Measuring and Monitoring Relays

Single-phase current monitoring relays

Measuring and Monitoring Relays

Single-phase voltage monitoring relays

	Order number																					
Type	1SVR730840R0200	1SVR740840R0200	1SVR730841R0200	1SVR740841R0200	1SVR730841R1200	1SVR740841R1200	1SVR730840R0300	1SVR730841R0300	1SVR730841R1300	1SVR730840R0400	1SVR740840R0400	1SVR730841R0400	1SVR740841R0400	1SVR730841R0500	1SVR730841R1500	1SVR730840R0600	1SVR740840R0600	1SVR730840R0700	1SVR730760R0400	1SVR740760R0400	1SVR730760R0500	
Rated control supply voltage U_c																						
24 - 240 V AC/DC	■	■					■				■	■	■			■	■	■	■	■	■	■
110 - 130 V AC			■	■																		
220 - 240 V AC					■	■																
Measuring ranges AC/DC																						
3 - 30 mA	■	■	■	■	■	■																
10 - 100 mA	■	■	■	■	■	■																
0.1 - 1 A	■	■	■	■	■	■																
0.3 - 1.5 A							■	■	■													
1 - 5 A							■	■	■													
3 - 15 A							■	■	■													
Monitoring function																						
Over- or undercurrent	■	■	■	■	■	■	■	■	■	■	■	■	■	■	■	■	■	■	■	■	■	■
Windows current monitoring																						
Latching																					sel	sel
Open circuit or closed circuit principle																					sel	sel
Timing functions for tripping delay																						
ON delay, 0 or 0.1 - 30 s											adj	adj	adj	adj	adj	adj	adj	adj	adj			
ON or OFF delay																					sel	sel
Output																						
c/o contact	1	1	1	1	1	1	1	1	1	2	2	2	2	2	2	2	2	2	2	2	2	2
Connection type																						
Push-in terminals	■	■	■	■	■	■	■	■	■	■	■	■	■	■	■	■	■	■	■	■	■	■
Double-chamber cage connection terminals	■		■		■		■		■		■		■		■		■		■		■	■

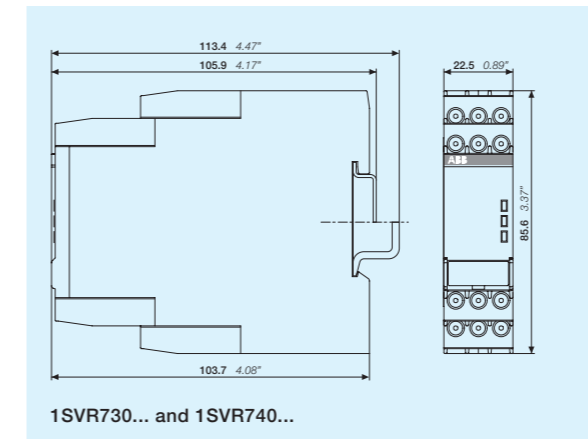
■ stock items adj: adjustable sel: selectable

	Order number													
Type	1SVR730830R0300	1SVR740830R0300	1SVR730831R0300	1SVR740831R0300	1SVR730831R1300	1SVR740831R1300	1SVR730830R0400	1SVR740830R0400	1SVR730831R0400	1SVR740831R1400	1SVR730830R0500	1SVR740830R0500	1SVR730750R0400	1SVR740750R0400
Rated control supply voltage U_c														
24 - 240 V AC/DC	■	■												
110 - 130 V AC			■	■										
220 - 240 V AC					■	■								
Measuring ranges AC/DC														
3 - 30 V	■	■	■	■	■	■	■	■	■	■	■	■	■	■
6 - 60 V	■	■	■	■	■	■	■	■	■	■	■	■	■	■
30 - 300 V	■	■	■	■	■	■	■	■	■	■	■	■	■	■
60 - 600 V	■	■	■	■	■	■	■	■	■	■	■	■	■	■
Monitoring function														
Over- or undervoltage	■	■	■	■	■	■	■	■	■	■	■	■	■	■
Windows voltage monitoring														
Latching														
Open circuit or closed circuit principle														
Timing functions for tripping delay														
ON delay, 0 or 0.1 - 30 s														
ON or OFF delay														
Output														
c/o contact	1	1	1	1	1	1	2	2	2	2	2	2	2	2
Connection type														
Push-in terminals	■	■	■	■	■	■	■	■	■	■	■	■	■	■
Double-chamber cage connection terminals	■		■		■		■		■		■		■	■

■ stock items adj: adjustable sel: selectable

Dimensional drawings

dimensions in mm

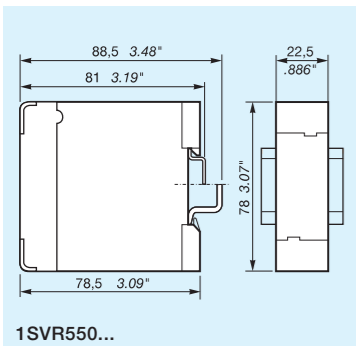


Measuring and Monitoring Relays

Three Phase Monitors - Single function

Type	Order number	CM-PBE	CM-PBE	CM-PVE	CM-PVE	CM-PFE	CM-PFS.S	CM-PFS.P	CM-PSS.31S	CM-PSS.31P	CM-PSS.41S	CM-PSS.41P	CM-PVS.31S	CM-PVS.31P	CM-PVS.41S	CM-PVS.41P	CM-PVS.81S	CM-PVS.81P	CM-PAS.31S	CM-PAS.31P	CM-PAS.41S	CM-PAS.41P
Rated control supply voltage U_c and measuring circuit		1SVR550881R9400	1SVR550882R9500	1SVR550870F9400	1SVR550871R9500	1SVR550824R9100	1SVR730824R9300	1SVR740824R9300	1SVR730784R2300	1SVR740784R2300	1SVR730784R3300	1SVR740784R3300	1SVR730794R1300	1SVR740794R1300	1SVR730794R3300	1SVR740794R3300	1SVR730794R2300	1SVR740794R2300	1SVR730774R1300	1SVR740774R1300	1SVR730774R3300	1SVR740774R3300
Phase to phase																						
160-300 V AC																						
200-400 V AC																						
200-500 V AC																						
208-440 V AC																						
300-500 V AC																						
320-460 V AC																						
380 V AC																						
380-440 V AC																						
400 V AC																						
Phase to neutral																						
185-265 V AC																						
220-240 V AC																						
Rated frequency																						
50/60 Hz																						
Suitable for monitoring																						
Single-phase mains																						
Three-phase mains																						
Monitoring function																						
Phase failure																						
Phase sequence									sel	sel	sel	sel	sel	sel	sel	sel	sel	sel				
Automatic phase sequence correction																						
Overvoltage																						
Undervoltage																						
Unbalance																						
Neutral ¹⁾																						
Thresholds		fix	fix	fix	fix	fix	fix	fix	fix	fix	fix	fix	fix	fix	fix	fix	fix	fix	fix	fix	fix	fix
Timing functions for tripping delay																						
ON delay							fix	fix													sel	sel
On and OFF delay		fix	fix	fix	fix	fix			adj	adj	adj	adj	adj	adj	adj	adj	adj	adj	adj	adj	adj	adj
Connection type																						
Push-in terminals																						
Double-chamber cage connection terminals																						

¹⁾ The external conductor voltage towards the neutral conductor is measured.



stock items
adj: adjustable
sel: selectable
fix: fixed

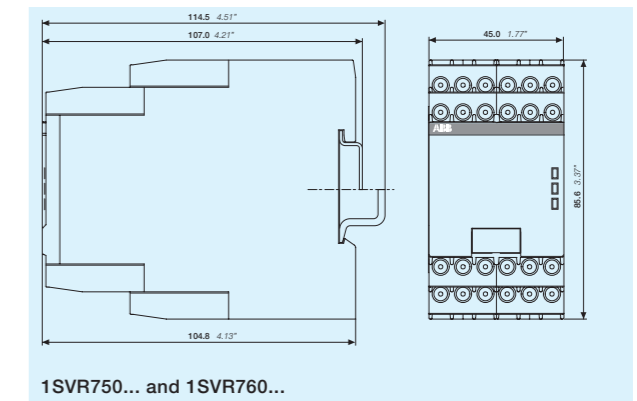
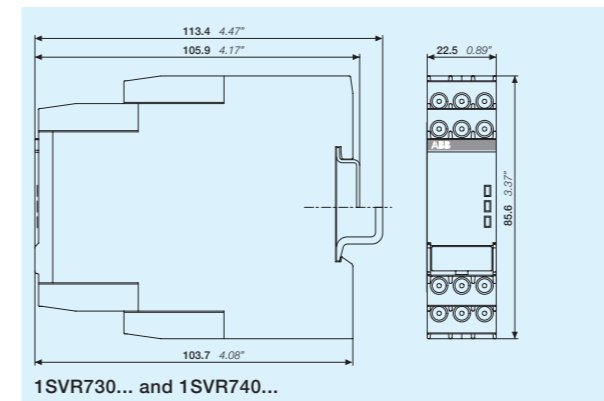
Measuring and Monitoring Relays

Three Phase Monitors - Multifunctional

Type	Order number	CM-MPS.11S	CM-MPS.11P	CM-MPS.21S	CM-MPS.21P	CM-MPS.31S	CM-MPS.31P	CM-MPS.41S	CM-MPS.41P	CM-MPS.23S	CM-MPS.23P	CM-MPS.43S	CM-MPS.43P	CM-MPN.52S	CM-MPN.52P	CM-MPN.62S	CM-MPN.62P	CM-MPN.72S	CM-MPN.72P
Rated control supply voltage U_c and measuring circuit		1SVR730885R1300	1SVR740885R1300	1SVR730885R3300	1SVR740885R3300	1SVR730884R1300	1SVR740884R1300	1SVR730884R3300	1SVR740884R3300	1SVR730885R4300	1SVR740885R4300	1SVR730884R4300	1SVR740884R4300	1SVR750487R8300	1SVR760487R8300	1SVR750488R8300	1SVR760488R8300	1SVR750489R8300	1SVR760489R8300
Phase to Phase																			
160-300 V AC																			
300-500 V AC																			
350-580 V AC																			
450-720 V AC																			
530-820 V AC																			
Phase to Neutral																			
90-170 V AC																			
180-280 V AC																			
Rated frequency																			
50/60 Hz																			
50/60/400 Hz																			
Suitable for monitoring																			
Single-phase mains																			
Three-phase mains																			
Monitoring function																			
Phase failure																			
Phase sequence		sel	sel	sel	sel	sel	sel	sel	sel	adj	adj	adj	adj	adj	adj	adj	adj	adj	adj
Automatic phase sequence correction										adj	adj	adj	adj	adj	adj	adj	adj	adj	adj
Overvoltage																			
Undervoltage																			
Unbalance																			
Neutral ¹⁾		adj	adj	adj	adj	adj	adj	adj	adj	adj	adj	adj	adj	adj	adj	adj	adj	adj	adj
Thresholds		adj	adj	adj	adj	adj	adj	adj	adj	adj	adj	adj	adj	adj	adj	adj	adj	adj	adj
Timing functions for tripping delay																			
On and OFF delay		adj	adj	adj	adj	adj	adj	adj	adj	adj	adj	adj	adj	adj	adj	adj	adj	adj	adj
Connection type																			
Push-in terminals																			
Double-chamber cage connection terminals																			

¹⁾ The external conductor voltage towards the neutral conductor is measured.
²⁾ Interrupted neutral monitoring

stock items
adj: adjustable
sel: selectable



Measuring and Monitoring Relays

Insulation Monitoring Relays

Measuring and Monitoring Relays

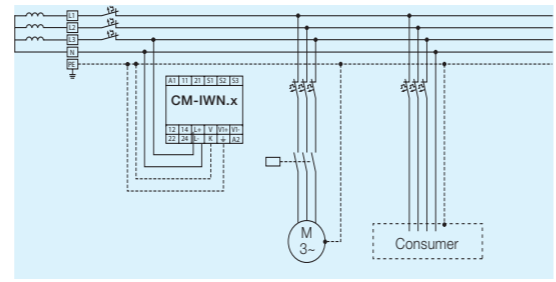
Motor Load Monitoring Relays

Type	Order number	CM-IWS.2S	CM-IWS.2P	CM-IWS.1S	CM-IWS.1P	CM-IWN.1S	CM-IWN.1P	CM-IWN.4S	CM-IWN.4P	CM-IWN.5S	CM-IWN.5P	CM-IWN.6S	CM-IWN.6P
Rated control supply voltage U_c	1SVR730670R0200	1SVR740670R0200	1SVR730660R0100	1SVR740660R0100	1SVR750660R0200	1SVR760660R0200	1SVR750660R0300	1SVR760660R0300	1SVR750660R0400	1SVR760660R0400	1SVR750660R0500	1SVR760660R0500	
Measuring voltages													
250 V AC (L-PE)													
400 V AC (L-PE)													
690 V AC (L-PE)													
300 V DC (L-PE)													
600 V DC (L-PE)													
1000 V DC (L-PE)													
Measuring range													
1 - 100 k Ω													
2 - 200 k Ω													
System leakage capacitance, max.													
10 μ F													
20 μ F													
500 μ F													
1000 μ F													
2000 μ F													
Output													
1 c/o													
1 x 2 c/o or 2 x 1 c/o													
Operating principle													
Open-circuit principle													
Open- or closed-circuit principle adjustable													
Test													
Front face button or control input													
Reset													
Front-face button or control input													
Fault storage / latching configurable													
Non volatile storage configurable													
Interrupted wire detection													
Threshold values configurable	1	1	1	1	2	2	2	2	2	2	2	2	2

¹⁾ With coupling unit CM-IVN screw version CM-IVN.S: 1SVR750669R9400
push-in version CM-IVN.P: 1SVR760669R9400

stock item

Insulation monitors for unearthed supply systems (IT-Systems)



Type	Order number	CM-LWN	CM-LWN	CM-LWN	CM-LWN	CM-LWN	CM-LWN	CM-LWN	CM-LWN	CM-LWN	CM-LWN	CM-LWN	CM-LWN
Rated control supply voltage U_c	1SVR450335R0000	1SVR450330R0000	1SVR450331R0000	1SVR450332R0000	1SVR450333R0000	1SVR450334R0000	1SVR450335R0100	1SVR450330R0100	1SVR450331R0100	1SVR450332R0100	1SVR450333R0100	1SVR450334R0100	1SVR450335R0100
Rated control supply voltage U_c													
24 - 240 VAC/DC													
110 - 130 V AC													
220 - 240 V AC													
380 - 440 V AC													
480 - 500 V AC													
Voltage range (Phase to phase)													
110 - 500 V													
Current range													
0.5 - 5 A													
2 - 20 A													
Frequency range													
50/60 Hz													
DC or 15 - 400 Hz													
Suitable for monitoring													
Single-phase mains													
Three-phase mains													
Monitoring function													
Motor load // cos Phi													
Timing functions													
Start up delay (on delay)	adj	adj	adj	adj	adj	adj	adj	adj	adj	adj	adj	adj	adj
Response delay	adj	adj	adj	adj	adj	adj	adj	adj	adj	adj	adj	adj	adj
Output contacts													
2 x 1 c/o													



Measuring and Monitoring Relays

Thermistor Relays

Measuring and Monitoring Relays

Temperature Monitoring Relays

	Type	Order code
	CM-MSS.11P	1SVR740720R1400
	CM-MSS.11S	1SVR730720R1400
	CM-MSS.12P	1SVR740700R0100
	CM-MSS.12S	1SVR730700R0100
	CM-MSS.13P	1SVR740700R2100
	CM-MSS.13S	1SVR730700R2100
	CM-MSS.21P	1SVR740722R1400
	CM-MSS.21S	1SVR730722R1400
	CM-MSS.22P	1SVR740700R0200
	CM-MSS.22S	1SVR730700R0200
	CM-MSS.23P	1SVR740700R2200
	CM-MSS.23S	1SVR730700R2200
	CM-MSS.31P	1SVR740712R1400
	CM-MSS.31S	1SVR730712R1400
	CM-MSS.32P	1SVR740712R0200
	CM-MSS.32S	1SVR730712R0200
	CM-MSS.33P	1SVR740712R2200
	CM-MSS.33S	1SVR730712R2200
	CM-MSS.41P	1SVR740712R1200
	CM-MSS.41S	1SVR730712R1200
	CM-MSS.51P	1SVR740712R1300
	CM-MSS.51S	1SVR730712R1300

¹⁾ For automatic reset, jumper terminals S1-T2.
²⁾ For automatic reset, jumper terminals S1-1T2/2T2.

Temperature sensor C011, standard version acc. to DIN 44081

Type	Rated response temperature T_{NF}	Color coding	Order code	Pack.-unit set
C011-70	70 °C	white-brown	GHC0110003R0001	1
C011-80	80 °C	white-white	GHC0110003R0002	1
C011-90	90 °C	green-green	GHC0110003R0003	1
C011-100	100 °C	red-red	GHC0110003R0004	1
C011-110	110 °C	brown-brown	GHC0110003R0005	1
C011-120	120 °C	gray-gray	GHC0110003R0006	1
C011-130	130 °C	blue-blue	GHC0110003R0007	1
C011-140	140 °C	white-blue	GHC0110003R0011	1
C011-150	150 °C	black-black	GHC0110003R0008	1
C011-160	160 °C	blue-red	GHC0110003R0009	1
C011-170	170 °C	white-green	GHC0110003R0010	1

Triple temperature sensor C011-3

Type	Rated response temperature T_{NF}	Color coding	Order code	Pack.-unit pieces
C011-3-150	150 °C	black-black	GHC0110033R0008	1

	Type	Order number
	CM-TCS.21S	1SVR730740R9100
	CM-TCS.21P	1SVR740740R9100
	CM-TCS.11S	1SVR730740R0100
	CM-TCS.11P	1SVR740740R0100
	CM-TCS.22S	1SVR730740R9200
	CM-TCS.22P	1SVR740740R9200
	CM-TCS.12S	1SVR730740R0200
	CM-TCS.12P	1SVR740740R0200
	CM-TCS.23S	1SVR730740R9300
	CM-TCS.23P	1SVR740740R9300
	CM-TCS.13S	1SVR730740R0300
	CM-TCS.13P	1SVR740740R0300
	C512-24	1SAR700016R0005
	C512-W	1SAR700016R0010
	C513-W	1SAR700016R0010

stock item

Measuring and Monitoring Relays

Liquid Level Monitoring Relays

Measuring and Monitoring Relays

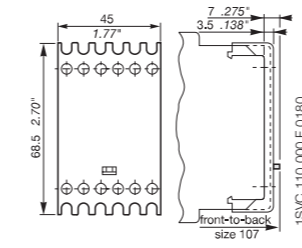
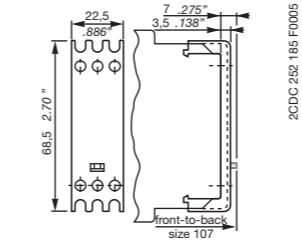
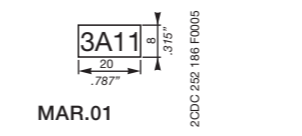
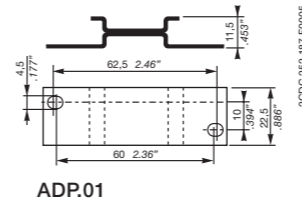
Accessories

Order number	1SVR50855R9500	1SVR50850F9500	1SVR50851R9500	1SVR50855F9400	1SVR50850R9400	1SVR50851R9400	1SVR430811R9300	1SVR430851R0100	1SVR430851R1100	1SVR430851R1300	1SVR430851R9200	1SVR430851R0200	1SVR450055R0000	1SVR450059R0000	1SVR450050R0000	1SVR450051R0000	1SVR450059R0100	1SVR450050R0100	1SVR450051R0100
Type	CM-ENE MIN	CM-ENE MIN	CM-ENE MIN	CM-ENE MAX	CM-ENE MAX	CM-ENE MAX	CM-ENS	CM-ENS	CM-ENS	CM-ENS	CM-ENS UP/DOWN	CM-ENS UP/DOWN	CM-ENN	CM-ENN	CM-ENN	CM-ENN	CM-ENS UP/DOWN	CM-ENS UP/DOWN	CM-ENS UP/DOWN
Rated control supply voltage U _c	24 - 240 V AC/DC																		
24 V AC	■			■		■				■		■				■			
110 - 130 V AC		■			■			■				■				■			■
220 - 240 V AC			■			■			■							■			■
Sensor circuits	No of electrodes (including ground reference)																		
	2	2	2	2	2	2	3	3	3	3	3	3	3	3	3	3	5	5	5
Response sensitivity	0 - 100 kOhm																		
	■	■	■	■	■	■													
5 - 100 kOhm							adj	adj	adj	adj	adj	adj					adj	adj	adj
250 Ohm - 5 kOhm																adj	adj	adj	adj
2,5 - 50 kOhm																adj	adj	adj	adj
25 - 500 kOhm																adj	adj	adj	adj
Monitoring function	Dry-running protection																		
	■	■	■																
Overflow protection				■	■	■													
Liquide level control							■	■	■	■	■	■	■	■	■	■	■	■	■
Operating principle	Open circuit principle																		
	■	■	■				■	■	■	■	■	■	■	■	■	■	■	■	■
Closed circuit principle				■	■	■													
Open or closed circuit principle											sel	sel					sel	sel	sel
Output contacts	n/o																		
	1	1	1	1	1	1				1									
n/c											1						2	2	2
c/o							1	1	1	1	1	1	2	2	2	2	1	1	1

■ stock item adj: adjustable sel: selectable

Accessories – electrodes

Type	Description	Order code	Pack. unit pieces
CM-KH-3	Compact support for 3 bar electrodes	1SVR450056R6000	1
CM-AH-3	Distance plate for 3 bar electrodes	1SVR450056R7000	1
CM-GM-1	Counter nut for 1" thread	1SVR450056R8000	1
Screw-in bar electrodes / Suspension electrode			
CM-SE-300	300 mm	1SVR450056R0000	1
CM-SE-600	600 mm	1SVR450056R0100	1
CM-SE-1000	1000 mm	1SVR450056R0200	1
CM-HE	-	1SVR402902R0000	1



Ordering details

Description	For type	Width in mm	for devices	Type	Order code	Pkg qty	Weight (1 pce) g (oz)
Adapter for screw mounting	CM-S	22.5		ADP.01	1SVR430029R0100	1	18.4 (0.65)
	CM-N	45		ADP.02	1SVR440029R0100	1	36.7 (1.30)
Marker label	CM-S, CM-N	20	without DIP switches	MAR.01	1SVR366017R0100	10	0.19 (0.007)
	CM-S, CM-N	20	with DIP switches	MAR.02	1SVR430043R0000	10	0.13 (0.005)
Sealable transparent cover	CM-S	22.5		COV.01	1SVR430005R0100	1	5.2 (0.18)
	CM-S.S/P	22.5		COV.11	1SVR730005R0100	1	4.0 (0.129)
	CM-N.S/P	45		COV.12	1SVR750005R0100	1	7 (0.247)

Switch Mode Power Supplies

CP Range - Single phase

Switch Mode Power Supplies

CP Range - Three phase and AS-interface

3

	Order number	Single phase																										
		CP-D				CP-E								CP-S			CP-C											
		1SVR427041R1000	1SVR427043R1200	1SVR427041R0000	1SVR427043R0100	1SVR427044R0200	1SVR427045R0400	1SVR427033R3000	1SVR427032R1000	1SVR427035R1000	1SVR427030R0000	1SVR427031R0000	1SVR427032R0000	1SVR427034R0000	1SVR427035R0000	1SVR427036R0000	1SVR427030R2000	1SVR427031R2000	1SVR427034R0000	1SVR427035R2000	1SVR427014R0000	1SVR427015R0100	1SVR427016R0100	1SVR427024R0000	1SVR427025R0000	1SVR427026R0000		
Rated output voltage	5 V DC																											
	12 V DC	■																										
	24 V DC			■	■	■																■	■	■	■	■	■	
	48 V DC																											
Rated output current	0.42 A																											
	0.625 A		■																									
	0.75 A																											
	0.83 A	■																										
	1.25 A																											
	1.3 A																											
	2.1 A			■																								
	2.5 A		■																									
	3 A																											
	4.2 A																											
	5 A																											
	10 A																											
	20 A																											
Rated output power	10 W	■																										
	15 W																											
	18 W																											
	30 W		■		■																							
	60 W																											
	100 W																											
	120 W																											
	240 W																											
480 W																												
Rated input voltage	100 - 240 V AC	■	■	■	■	■	■	■	■	■	■	■	■	■	■	■	■	■	■	■	■	■	■	■	■	■	■	
	115/230 V AC auto select																											
	115 - 230 V AC																											
	110 - 240 V AC																											
	110 - 120 V AC																											
	220 - 240 V AC																											
DC input voltage range	120 - 370 V DC	■	■	■	■	■	■	■	■	■	■	■	■	■	■	■	■	■	■	■	■	■	■	■	■	■	■	
	90 - 375 V DC																											
	210 - 370 V DC																											
	100 - 350 V DC																											
220 - 350 V DC																												
Features	Power reserve design																											
	Adjustable output voltage		■																									
	Integrated input fuse	■	■	■	■	■	■	■	■	■	■	■	■	■	■	■	■	■	■	■	■	■	■	■	■	■	■	
	Short circuit stable	■	■	■	■	■	■	■	■	■	■	■	■	■	■	■	■	■	■	■	■	■	■	■	■	■	■	
	Fold forward behavior (U/I)	■	■	■	■	■	■	■	■	■	■	■	■	■	■	■	■	■	■	■	■	■	■	■	■	■	■	
	Fold back behavior (hiccup)																											
	Power factor correction							pas		pas	pas	act			pas	act						act	act	act				
	Ambient temp. rating -25°C (-40°C) to 70°C	■	■	■	■	■	■	■	■	■	■	■	■	■	■	■	■	■	■	■	■	■	■	■	■	■	■	■
	Parallel connection							3		3	3	3			3	3			5	5		5	5	5				
	Serial connection	■	■	■	■	■	■	2		2	2	2			2	2												

■ stock items pas: passive act: active

3

	Order number	Three phase				AS-Interface										
		CP-T				CP-ASI										
		1SVR427054R0000	1SVR427055R0000	1SVR427056R0000	1SVR427057R0000	1SVR427054R2000	1SVR427055R2000	1SVR427056R2000	1SVR427090R0280	1SVR427090R0400	1SVR427095R0400	1SVR427090R0800				
Rated output voltage	24 V DC	■	■	■	■											
	30.5 V DC												■	■	■	■
	48 V DC															
Rated output current	2.8 A															
	3 A															
	5 A	■														
	8 A															
	10 A		■													
	20 A			■												
Rated output power	40 A				■											
	85 W															
	120 W	■														
	122 W															
	240 W		■													
	244 W															
Rated input voltage	480 W			■												
	960 W				■											
	85-132 V AC, 184-264 V AC															
	3 x 400 - 500 V AC	■	■	■	■	■	■	■	■	■	■	■	■	■	■	■
DC input voltage range	18-32.4 V DC															
	480 - 820 V DC	■	■	■	■	■	■	■	■	■	■	■	■	■	■	■
Features	Adjustable output voltage	■	■	■	■	■	■	■	■	■	■	■	■	■	■	■
	Integrated input fuse	■	■	■	■	■	■	■	■	■	■	■	■	■	■	■
	Short circuit stable	■	■	■	■	■	■	■	■	■	■	■	■	■	■	■
	Fold forward behavior (U/I)	■	■	■	■	■	■	■	■	■	■	■	■	■	■	■
	Fold back behavior (hiccup)	■	■	■	■	■	■	■	■	■	■	■	■	■	■	■
	Power factor correction															
	Ambient temp. rating -25°C (-40°C) to 70°C	■	■	■	■	■	■	■	■	■	■	■	■	■	■	■
	Serial connection		2	2	2	2	2	2								
	Suited for AS-Interfaces															

CP-Range

Type		Order number
CP-A RU	Redundancy module ≤ 40 V; ≥ 5 A	1SVR427071R0000
CP-A CM	Control module for CP-A	1SVR427075R0000

Buffer modules CP-B range

Selection table

Type	CP-B 24/3.0	CP-B 24/10.0	CP-B 24/20.0	CP-B EXT.2
Order code	1SVR427060R0300	1SVR427060R1000	1SVR427060R2000	1SVR427065R0000
Rated input voltage	24 V DC	24 V DC	24 V DC	-
Rated current	3 A DC	10 A DC	20 A DC	-
Energy storage (min.)	1000 Ws	10000 Ws	8000 Ws	2000 Ws
Typical charging time 100 %	65 s	120 s	68 s	
at load current 0 %	56 s	82 s	62 s	
Typical buffer time¹⁾				
at load current 100 %	14 s	40 s	15 s	
50 %	28 s	80 s	30 s	
25 %	74 s	140 s	60 s	
10 %	148 s	380 s	150 s	

¹⁾ buffer time = $\frac{\text{energy storage} \times 0.9}{\text{current} \times 23 \text{ V}}$

Electronic Protection Devices EPD24

Selection table

Rated current I_n in (A)	Type code	Order number	bbn 40 16779 EAN	Weight 1 piece (kg)	Pack unit pc.
0.5	EPD24-TB-101-0.5A	2CDE601101R2905	829960	0.065	4
1	EPD24-TB-101-1A	2CDE601101R2001	829984	0.065	4
2	EPD24-TB-101-2A	2CDE601101R2002	830003	0.065	4
3	EPD24-TB-101-3A	2CDE601101R2003	830027	0.065	4
4	EPD24-TB-101-4A	2CDE601101R2004	830041	0.065	4
6	EPD24-TB-101-6A	2CDE601101R2006	830065	0.065	4
8	EPD24-TB-101-8A	2CDE601101R2008	830089	0.065	4
10	EPD24-TB-101-10A	2CDE601101R2010	830102	0.065	4
12	EPD24-TB-101-12A	2CDE601101R2012	830126	0.065	4

Selection table accessories EPD24

	Type code	Order number	bbn 40 16779 EAN	Weight 1 piece (kg)	Pack unit pc.
Busbars for LINE+ and 0 V, grey insulation, length 500 mm ¹⁾	EPD-BB500	2CDE605100R0500	830140	0.20	10
Signal Bars for aux. contacts, grey insulation, length 21 mm	EPD-SB21	2CDE605200R0021	830164	0.04	10

¹⁾ Max. load with one line entry $I_{max} = 50$ A (recommended: center-feeding)

Max. load with two line entries $I_{max} = 63$ A

Analogue Signal Converters CC Range

Standard Signal Converters

Type	Order number	Supply voltage U _s	Input signal	Output signal
CC-E/STD	1SVR011700R0000	24 V DC	Potentiometer	0 - 5 V
CC-E V/V	1SVR011710R2100	110 - 240 V AC	0 - 0 V	0 - 10 V
CC-E V/I	1SVR011711R1600	24 - 48 V DC	0 - 50 mV	1 - 5 V
CC-E V/I	1SVR011712R1700	24 V AC	0 - 100 mV	2 - 10 V
CC-E I/V	1SVR011713R1000	100 - 300 V DC	0 - 125 mV	-10 - +10 V
CC-E I/I	1SVR011714R1100		0 - 250 mV	-22.5 - +22.5 mV
CC-E I/I	1SVR011715R1200		0 - 500 mV	-11 - +11 V
CC-E I/V	1SVR011716R1300		0 - 1 V	2.5 - 7.5 V
CC-E I/I	1SVR011717R1400		0 - 2.5 V	3.33 - 9.99 V
CC-E I/I	1SVR011718R2500		0 - 5 V	10 - 0 V
CC-E V/V	1SVR011719R2600		0 - 8 V	100 - 0 mV
CC-E/STD	1SVR011705R2100		0 - 10 V	0 - 1 mA
CC-E V/V	1SVR011720R2300		1 - 5 V	0 - 20 mA
CC-E V/I	1SVR011721R1000		2 - 10 V	4 - 20 mA
CC-E V/I	1SVR011722R1100		-10 - +10 V	10 - 50 mA
CC-E I/V	1SVR011723R1200		-22.5 - +22.5 mV	20 - 4 mA
CC-E I/I	1SVR011724R1300		-11 - +11 V	20 - 0 mA
CC-E I/I	1SVR011725R1400		2.5 - 7.5 V	-0.45 - +0.45 mA
CC-E I/V	1SVR011726R1500		3.33 - 9.99 V	-55 - +55 mA
CC-E I/I	1SVR011727R1600		10 - 0 V	
CC-E I/I	1SVR011728R2700		100 - 0 mV	
CC-E V/V	1SVR011729R2000		0 - 1 mA	
CC-E/I-1	1SVR010200R1600		0 - 20 mA	
CC-E/I-2	1SVR010201R0300		4 - 20 mA	
CC-U/STD	1SVR040000R1700		10 - 50 mA	
CC-U/STD	1SVR040001R0400		20 - 4 mA	
CC-U/STDR	1SVR040010R0000		20 - 0 mA	
CC-U/STDR	1SVR040011R2500		-0.45 - +0.45 mA	
			-55 - +55 mA	

stock items

Thermocouple Signal Converters

CC Range

Thermocouple Converters

Type	Order number	Supply voltage U _s	Input signal	Output signal	Relay output
CC-E/TC	1SVR011702R2600	24 V DC	0...1000 °C type K	0 - 5 V	
CC-E TC/V	1SVR011750R0100	110 - 240 V AC	0 - 100 - 900 °C type K	0 - 10 V	
CC-E TC/I	1SVR011751R2600	24 - 48 V DC	0 - 250 - 1350 °C type K	1 - 5 V	
CC-E TC/I	1SVR011752R2700	24 V AC	0 - 600 °C type J	2 - 10 V	
CC-E TC/V	1SVR011753R2000	100 - 300 V DC	0 - 100 - 750 °C type J	-10 - +10V	
CC-E TC/I	1SVR011754R2100		0 - 100 - 400 °C type T	-5 - +5 V	
CC-E TC/I	1SVR011755R2200		0 - 100 - 400 °C type T	-10 - 0 V	
CC-E/TC	1SVR011707R2300		-150 - 0 - 400 °C type T	-5 - 0 V	
CC-E TC/V	1SVR011760R0300		0 - 250 - 1550 °C type S	0 - 6.666 V	
CC-E TC/I	1SVR011761R2000		0 - 100 - 700 °C type E	-10 - +3.33 V	
CC-E TC/I	1SVR011762R2100		0 - 200 - 1000 °C type E	-5 - +1.66 V	
CC-E TC/V	1SVR011763R2200		0 - 100 - 650 °C type N	0 - 8 V	
CC-E TC/I	1SVR011764R2300		0 - 200 - 1300 °C type N	0 - 4 V	
CC-E TC/I	1SVR011765R2400		0 - 250 - 1350 °C type R	-10 - -2 V	
CC-U/TC	1SVR040004R0700		0 - 450 - 1700 °C type R	-5 - -1 V	
CC-U/TC	1SVR040005R0000		0 - 700 - 1750 °C type B	1.25 - 6.25 V	
CC-U/TCR	1SVR040014R2000		0 - 2 - 10 mV mV	-7.5 - +2.5 V	
CC-U/TCR	1SVR040015R2100		0 - 10 - 50 mV mV	-3.75 - +1.25 V	
			0 - 240 °C type J	1.66 - 8.33 V	
			0 - 480 °C type J	-6.66 - +6.66 V	
			0 - 1200 °C type J	-3.33 - +3.33 V	
			0 - 250 °C type K	-8 - 0 V	
			0 - 500 °C type K	-4 - 0 V	
			0 - 1350 °C type K	0 - 1 mA	
			-150 - +120 °C type T	4 - 20 mA	
			0 - 220 °C type T	0 - 10 mA	
			0 - 400 °C type T	0 - 0.5 mA	
			0 - 210 °C type S	0 - 13.33 mA	
			0 - 380 °C type S	0 - 666 μA	
				0 - 16 mA	
				0 - 800 μA	
				0 - 8 mA	
				0 - 400 μA	
				2.5 - 12.5 mA	
				125 - 625 μA	
				3.33 - 16.66 mA	
				166 - 833 μA	
				0.2 - 1 mA	
				2 - 10 mA	
				100 - 500 μA	
				Relay output	

stock item

Type	Order code
ILPH RS 232-RS 485 / Ethernet	1SNA684252R0200
ILPH RS 232 / RS 422-485	1SNA684231R2500
ILPH RS 232 / RS 422-485	1SNA684233R2700
ILPH RS 232 / RS 422-485	1SNA684333R2300
ILPH RS 232 / RS 422-485	1SNA684334R2400
ILPH RS 232 / RS 232	1SNA684234R2000
ILPH RS 422 - 485 / RS 422 - 485	1SNA684212R2200
ILPH RS 232 / FO-S	1SNA684236R2200
ILPH RS 485 / FO-S	1SNA684264R0400
ILPH BdC / RS 422 - 485	1SNA681232R2600
ILPH RS 232 / BdC	1SNA684202R0100

Rated supply voltage u_n	1SNA684252R0200	1SNA684231R2500	1SNA684233R2700	1SNA684333R2300	1SNA684334R2400	1SNA684234R2000	1SNA684212R2200	1SNA684236R2200	1SNA684264R0400	1SNA681232R2600	1SNA684202R0100
24 V DC		■	■				■				■
115 - 230 V AC					■		■				■
24 - 42 V AC/DC								■	■		
10 - 34 V DC	■										
10 - 24 V AC	■										
Input signal											
RS 232	■	■	■	■	■	■	■	■	■	■	■
RS 422							■				
RS 485	■						■		■		
Current loop										■	
Output signal											
RS 232							■				
RS422		■	■	■	■		■				■
RS 485		■	■	■	■		■				■
Current loop											■
Fiber optic glass								■	■		
Ethernet	■										
Galvanic isolation											
3 way isolation	■	■	■	■	■	■	■	■	■	■	■
No isolation		■									

■ stock items

Applications for analog signal processing and correct solution using CC-E and CC-U converters

Nearly every process includes a control system that receives data by means of analog signals and then evaluates the data and sets the respective parameters correspondingly. When transmitting analog signals numerous problems may arise which can disturb or even block an ideal behavior of the process. Below we have listed some processing problems together with the respective solutions to solve these problems:

Signal conversion

Sometimes the available signal cannot be processed by the controller or the actuator. In this case, signal converters are required to convert the input signal to the desired output signal.

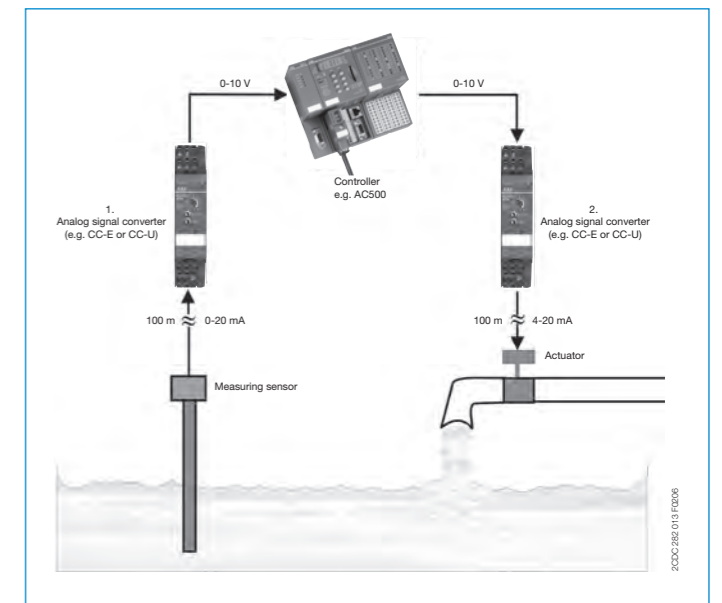
Signal amplification

If long lines or high burdens have to be operated, it may be necessary to amplify the signal. CC analog signal converters require only low input power and provide high output power. Thus, there are no restrictions for the converter's position on the line, i.e. it can be used

- for signal refreshing ① at the end of the line (low input power)
- or for signal amplification ② at the beginning of the line (high output power).

Signal filtering

Particularly on long lines or in rough industrial environments the signals are exposed to high electromagnetic interferences. The frequency of the coupled interference signals may be in the range of the common mains frequency (50 Hz) or even much higher (in case of frequency converters). According to the specific requirements, analog signal converters are available which provide reliable suppression of those interferences by means of an input low-pass filter.



Signal separation

Protection against overvoltage

The increased use of micro-electronics make controls much more sensitive against overvoltages, resulting from lightning discharges or switching processes. Suppression diodes are incorporated in the input of the CC analog signal converters which enable the converters to arrest overvoltages with low energy level (resulting from switching processes) by themselves. The products furthermore provide electrical isolation between input, output and supply circuit for protection of the controller connected to the output.

Protection against ground loops

If components are used which refer to ground, the measuring signals can be falsified by a so-called ground loop. In this case, certain parts of the signal are transmitted via earth and not via the analog transmission line, thus causing incorrect evaluation of the signal. The electrical isolation between the input and the output disconnects these ground loops and thus enables correct signal transmission.

Approvals

	CC-E/STD	CC-E/I	CC-U/STD	CC-U/STDR	CC-E/RTD	CC-U/RTD	CC-U/RTDR	CC-E/TC	CC-U/TC	CC-U/TCR	CC-E/I	CC-E I _{Ac} /LPO	CC-U/I	CC-U/V
UL 508, CAN/CSA C22.2 No.14	■	■	■	■	■	■	■	■	■	■	■	■	■	■
UL 1604 (Class I, Div 2, hazardous locations), CAN/CSA C22.2 No.213	▲		■		▲	■		▲	■		▲		■	■
CB scheme				■			■			■				
CCC				■			■			■				

Marks

	CC-E/STD	CC-E/I	CC-U/STD	CC-U/STDR	CC-E/RTD	CC-U/RTD	CC-U/RTDR	CC-E/TC	CC-U/TC	CC-U/TCR	CC-E/I	CC-E I _{Ac} /LPO	CC-U/I	CC-U/V
CE	■	■	■	■	■	■	■	■	■	■	■	■	■	■
C-Tick	■	■	■	■	■	■	■	■	■	■	■	■	■	■

■ existing

▲ existing for some devices

Pluggable Interface Relays

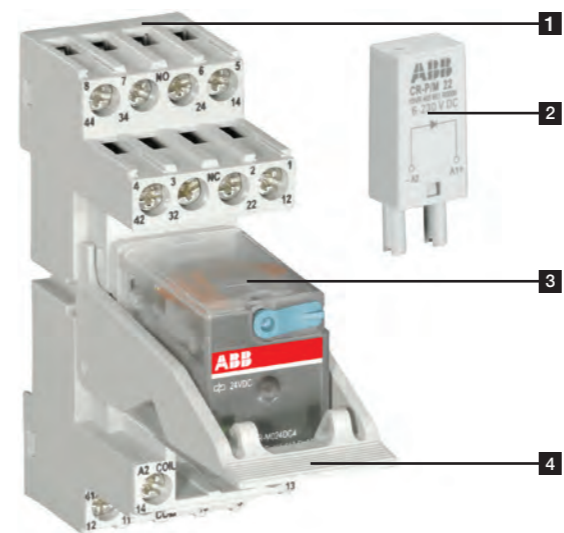
CR-M Range

Type	Order code	12 V DC	24 V DC	48 V DC	60 V DC	110 V DC	125 V DC	220 V DC	24 V AC	48 V AC	60 V AC	110 V AC	120 V AC	230 V AC	250 V 16 A	250 V 8 A	250 V 12 A	250 V 10 A	250 V 6 A	c/o	Gold contact	LED	Free-wheeling diode	
CR-M012DC2	1SVR405611R4000	■																			2			
CR-M024DC2	1SVR405611R1000		■																		2			
CR-M048DC2	1SVR405611R6000			■																	2			
CR-M060DC2	1SVR405611R4200				■																2			
CR-M110DC2	1SVR405611R8000					■															2			
CR-M125DC2	1SVR405611R8200						■														2			
CR-M220DC2	1SVR405611R9000							■													2			
CR-M024AC2	1SVR405611R0000								■												2			
CR-M048AC2	1SVR405611R5000									■											2			
CR-M110AC2	1SVR405611R7000										■										2			
CR-M120AC2	1SVR405611R2000											■									2			
CR-M230AC2	1SVR405611R3000												■								2			
CR-M012DC4	1SVR405613R4000																				3			
CR-M024DC4	1SVR405613R1000																				3			
CR-M048DC4	1SVR405613R6000																				3			
CR-M060DC4	1SVR405613R4200																				3			
CR-M110DC4	1SVR405613R8000																				3			
CR-M125DC4	1SVR405613R8200																				3			
CR-M220DC4	1SVR405613R9000																				3			
CR-M024AC4	1SVR405613R0000																				3			
CR-M048AC4	1SVR405613R5000																				3			
CR-M110AC4	1SVR405613R7000																				3			
CR-M120AC4	1SVR405613R2000																				3			
CR-M230AC4	1SVR405613R3000																				3			
CR-M012DC2L	1SVR405611R4100																				2			
CR-M024DC2L	1SVR405611R1100																				2			
CR-M048DC2L	1SVR405611R6100																				2			
CR-M060DC2L	1SVR405611R4300																				2			
CR-M110DC2L	1SVR405611R8100																				2			
CR-M125DC2L	1SVR405611R8300																				2			
CR-M220DC2L	1SVR405611R9100																				2			
CR-M024AC2L	1SVR405611R0100																				2			
CR-M048AC2L	1SVR405611R5100																				2			
CR-M110AC2L	1SVR405611R7100																				2			
CR-M120AC2L	1SVR405611R2100																				2			
CR-M230AC2L	1SVR405611R3100																				2			
CR-M012DC3L	1SVR405612R4100																				2			
CR-M024DC3L	1SVR405612R1100																				2			
CR-M048DC3L	1SVR405612R6100																				2			
CR-M060DC3L	1SVR405612R4300																				2			
CR-M110DC3L	1SVR405612R8100																				2			
CR-M125DC3L	1SVR405612R8300																				2			
CR-M220DC3L	1SVR405612R9100																				2			
CR-M024AC3L	1SVR405612R0100																				2			
CR-M048AC3L	1SVR405612R5100																				2			
CR-M110AC3L	1SVR405612R7100																				2			
CR-M120AC3L	1SVR405612R2100																				2			
CR-M230AC3L	1SVR405612R3100																				2			
CR-M012DC4L	1SVR405613R4100																				2			
CR-M024DC4L	1SVR405613R1100																				2			
CR-M048DC4L	1SVR405613R6100																				2			
CR-M060DC4L	1SVR405613R4300																				2			
CR-M110DC4L	1SVR405613R8100																				2			
CR-M125DC4L	1SVR405613R8300																				2			
CR-M220DC4L	1SVR405613R9100																				2			
CR-M024AC4L	1SVR405613R0100																				2			
CR-M048AC4L	1SVR405613R5100																				2			
CR-M110AC4L	1SVR405613R7100																				2			
CR-M120AC4L	1SVR405613R2100																				2			
CR-M230AC4L	1SVR405613R3100																				2			
CR-M024DC4LD	1SVR405614R1100																							
CR-M048DC4LG	1SVR405618R1000																							
CR-M060DC4LG	1SVR405618R4300																							
CR-M110DC4LG	1SVR405618R8100																							
CR-M125DC4LG	1SVR405618R8300																							
CR-M220DC4LG	1SVR405618R9100																							
CR-M024AC4LG	1SVR405618R0100																							
CR-M048AC4LG	1SVR405618R5100																							
CR-M110AC4LG	1SVR405618R7100																							
CR-M120AC4LG	1SVR405618R2100																							
CR-M230AC4LG	1SVR405618R3100																							
CR-M012DC4LDG	1SVR405618R4400																							
CR-M024DC4LDG	1SVR405618R1400																							

Accessories – CR-M Sockets

Type	Version	Connection terminals	Order code	Pack. unit pieces
Sockets				
CR-M2LS	Logical socket for 2 c/o	screw	1SVR405651R1100	10
CR-M3LS	Logical socket for 3 c/o	screw	1SVR405651R2100	10
CR-M4LS	Logical socket for 2/4 c/o	screw	1SVR405651R3100	10
CR-M2LC	Logical socket for 2 c/o	spring connection	1SVR405651R1200	10
CR-M4LC	Logical socket for 2/4 c/o	spring connection	1SVR405651R3200	10
CR-M2SS	Standard socket for 2 c/o	screw	1SVR405651R1000	10
CR-M3SS	Standard socket for 3 c/o	screw	1SVR405651R2000	10
CR-M4SS	Standard socket for 2/4 c/o	screw	1SVR405651R3000	10
CR-M2SF	Standard socket for 2 c/o	fork type	1SVR405651R1300	10
CR-M4SF	Standard socket for 2/4 c/o	fork type	1SVR405651R3300	10
Socket accessories				
CR-MH	Plastic holder		1SVR405659R1000	10
CR-MH1	Metal holder		1SVR405659R1100	25
CR-MJ	Jumper bar for sockets with screw connection		1SVR405658R6000	10
Markers				
CR-M	Marker		1SVR405658R1000	10

stock items



- 1 Socket
- 2 Pluggable function module
- 3 Interface relay
- 4 Holder

Pluggable Interface Relays CR-P Range

	Order number	Type
	1SVR405600R4000	CR-P012DC1
	1SVR405600R1000	CR-P024DC1
	1SVR405600R6000	CR-P048DC1
	1SVR405600R8000	CR-P110DC1
	1SVR405600R0000	CR-P024AC1
	1SVR405600R5000	CR-P048AC1
	1SVR405600R7000	CR-P110AC1
	1SVR405600R2000	CR-P120AC1
	1SVR405600R3000	CR-P230AC1
	1SVR405601R4000	CR-P012DC2
	1SVR405601R1000	CR-P024DC2
	1SVR405601R6000	CR-P048DC2
	1SVR405601R8000	CR-P110DC2
	1SVR405601R0000	CR-P024AC2
	1SVR405601R5000	CR-P048AC2
	1SVR405601R7000	CR-P110AC2
	1SVR405601R2000	CR-P120AC2
	1SVR405601R3000	CR-P230AC2
	1SVR405606R1000	CR-P024DC2G
	1SVR405606R0000	CR-P024AC2G
	1SVR405606R7000	CR-P110AC2G
	1SVR405606R3000	CR-P230AC2G

Input voltage	1SVR405600R4000	1SVR405600R1000	1SVR405600R6000	1SVR405600R8000	1SVR405600R0000	1SVR405600R5000	1SVR405600R7000	1SVR405600R2000	1SVR405600R3000	1SVR405601R4000	1SVR405601R1000	1SVR405601R6000	1SVR405601R8000	1SVR405601R0000	1SVR405601R5000	1SVR405601R7000	1SVR405601R2000	1SVR405601R3000	1SVR405606R1000	1SVR405606R0000	1SVR405606R7000	1SVR405606R3000	
12 V DC	■									■													
24 V DC		■									■												
48 V DC			■									■											
110 V DC				■									■										
24 V AC					■									■									
48 V AC						■									■								
110 V AC							■									■							
120 V AC								■									■						
230 V AC									■									■					■

Output rating	1SVR405600R4000	1SVR405600R1000	1SVR405600R6000	1SVR405600R8000	1SVR405600R0000	1SVR405600R5000	1SVR405600R7000	1SVR405600R2000	1SVR405600R3000	1SVR405601R4000	1SVR405601R1000	1SVR405601R6000	1SVR405601R8000	1SVR405601R0000	1SVR405601R5000	1SVR405601R7000	1SVR405601R2000	1SVR405601R3000	1SVR405606R1000	1SVR405606R0000	1SVR405606R7000	1SVR405606R3000	
250 V 16 A	■	■	■	■	■	■	■	■	■														
250 V 8 A										■	■	■	■	■	■	■	■	■	■	■	■	■	■

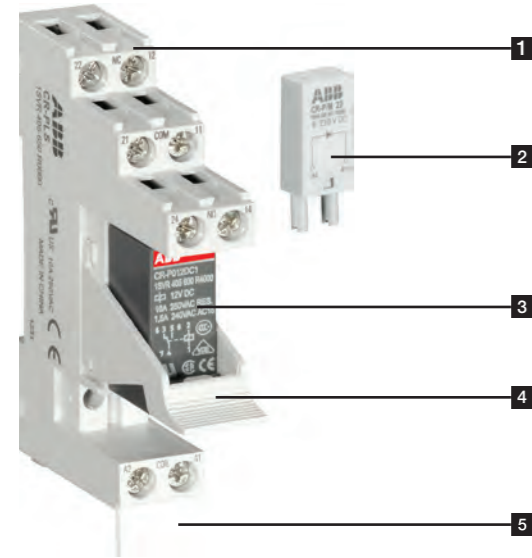
Output contacts	1SVR405600R4000	1SVR405600R1000	1SVR405600R6000	1SVR405600R8000	1SVR405600R0000	1SVR405600R5000	1SVR405600R7000	1SVR405600R2000	1SVR405600R3000	1SVR405601R4000	1SVR405601R1000	1SVR405601R6000	1SVR405601R8000	1SVR405601R0000	1SVR405601R5000	1SVR405601R7000	1SVR405601R2000	1SVR405601R3000	1SVR405606R1000	1SVR405606R0000	1SVR405606R7000	1SVR405606R3000
c/o	1	1	1	1	1	1	1	1	1	2	2	2	2	2	2	2	2	2	2	2	2	2
Gold contact																			■	■	■	■

■ stock items

Accessories - Sockets CR-P

Type	Version	Connection terminals	Order code	Packaging quantity
Sockets				
CR-PLS	Logical socket with protective separation	screw	1SVR405650R0000	10
CR-PLSx	Logical socket	screw	1SVR405650R0100	10
CR-PLC	Logical socket	spring connection	1SVR405650R0200	10
CR-PSS	Standard socket	screw	1SVR405650R1000	10
Socket accessories				
CR-PH	Plastic Holder		1SVR405659R0000	10
CR-PJ	Jumper bar for sockets with screw connection		1SVR405658R5000	10
Markers				
CR-P	Marker		1SVR405658R0000	10

■ stock items



- 1 Socket
- 2 Pluggable function module
- 3 Interface relay
- 4 Holder
- 5 Marker label

Pluggable Interface Relays

CR-U Range

	Type	Order number
	CR-U012DC2	1SVR405621R4000
	CR-U024DC2	1SVR405621R1000
	CR-U048DC2	1SVR405621R6000
	CR-U110DC2	1SVR405621R8000
	CR-U220DC2	1SVR405621R9000
	CR-U024AC2	1SVR405621R0000
	CR-U048AC2	1SVR405621R5000
	CR-U110AC2	1SVR405621R7000
	CR-U120AC2	1SVR405621R2000
	CR-U230AC2	1SVR405621R3000
	CR-U012DC3	1SVR405621R4000
	CR-U024DC3	1SVR405621R1000
	CR-U048DC3	1SVR405621R6000
	CR-U110DC3	1SVR405621R8000
	CR-U125DC3	1SVR405621R2000
	CR-U220DC3	1SVR405621R9000
	CR-U024AC3	1SVR405621R0000
	CR-U048AC3	1SVR405621R5000
	CR-U060AC3	1SVR405621R5200
	CR-U110AC3	1SVR405621R7000
	CR-U120AC3	1SVR405621R2000
	CR-U230AC3	1SVR405621R3000
	CR-U012DC2L	1SVR405621R4100
	CR-U024DC2L	1SVR405621R1100
	CR-U048DC2L	1SVR405621R6100
	CR-U110DC2L	1SVR405621R8100
	CR-U220DC2L	1SVR405621R9100
	CR-U024AC2L	1SVR405621R0100
	CR-U048AC2L	1SVR405621R5100
	CR-U110AC2L	1SVR405621R7100
	CR-U120AC2L	1SVR405621R2100
	CR-U230AC2L	1SVR405621R3100
	CR-U012DC3L	1SVR405621R4100
	CR-U024DC3L	1SVR405621R1100
	CR-U048DC3L	1SVR405621R6100
	CR-U110DC3L	1SVR405621R8100
	CR-U220DC3L	1SVR405621R9100
	CR-U024AC3L	1SVR405621R0100
	CR-U048AC3L	1SVR405621R5100
	CR-U110AC3L	1SVR405621R7100
	CR-U120AC3L	1SVR405621R2100
	CR-U230AC3L	1SVR405621R3100

Input voltage	Availability																													
12 V DC	■																													
24 V DC		■																												
48 V DC			■																											
110 V DC				■																										
125 V DC					■																									
220 V DC						■																								
24 V AC							■																							
48 V AC								■																						
60 V AC									■																					
110 V AC										■																				
120 V AC											■																			
230 V AC												■																		

Output rating	Availability																													
250 V 10 A	■	■	■	■	■	■	■	■	■	■	■	■	■	■	■	■	■	■	■	■	■	■	■	■	■	■	■	■	■	■

Output contacts	Availability																													
c/o	2	2	2	2	2	2	2	2	2	2	3	3	3	3	3	3	3	3	3	3	3	3	3	3	3	3	3	3	3	3
LED																														

■ stock items

Accessories - Sockets

Type	Version	Order code	Pack. unit pieces
Sockets			
CR-U2S	Socket for 2 c/o and module	1SVR405670R0000	10
CR-U3S	Socket for 3 c/o and module	1SVR405660R0000	10
CR-U3E	Socket for 3 c/o	1SVR405660R0100	10
CR-U2SM	Socket small for 2 c/o	1SVR405670R1100	10
CR-U3SM	Socket small for 3 c/o	1SVR405660R1100	10
Accessories Sockets			
CR-UH	Holder for CR-U socket	1SVR405669R0000	10

■ stock items



- 1** Socket
- 2** Pluggable function module
- 3** Interface relay
- 4** Holder

CR-P/M Range

CR-U Range

	Order number	Type	1SVR405651R0000	1SVR405652R0000	1SVR405655R1000	1SVR405655R4000	1SVR405655R4100	1SVR405655R9000	1SVR405655R9100	1SVR405655R0000	1SVR405655R4000	1SVR405655R31000	1SVR405654R0000	1SVR405654R1000	1SVR405654R4000	1SVR405654R4100	1SVR405654R100	1SVR405655R0000	1SVR405655R1000	1SVR405655R4000	1SVR405655R4100	1SVR405655R0100	1SVR405655R1100	1SVR405656R0000	1SVR405656R1000	1SVR405656R2000	
Rated control supply voltage		CR-P/M 22	■																								
		CR-P/M 42		■	■																						
		CR-P/M 42V																									
		CR-P/M 42B				■																					
		CR-P/M 42BV					■																				
		CR-P/M 42C						■																			
		CR-P/M 42CV							■																		
		CR-P/M 62B								■																	
		CR-P/M 62D									■																
		CR-P/M 62C										■															
		CR-P/M 62											■														
		CR-P/M 62V												■													
		CR-P/M 62E													■												
		CR-P/M 62EV														■											
		CR-P/M 92															■										
		CR-P/M 92V																■									
		CR-P/M 62C																	■								
		CR-P/M 62CV																		■							
		CR-P/M 62D																			■						
		CR-P/M 62DV																				■					
		CR-P/M 92C																					■				
		CR-P/M 92CV																						■			
		CR-P/M 72																							■		
		CR-P/M 72A																								■	
		CR-P/M 82																									■

Accessories for PCB relays CR-P

Type Sockets	Version	Connection	Order number
CR-PLS	Logical socket with safety isolation	screw	1SVR405650R0000
CR-PLSx	Logical socket	screw	1SVR405650R0100
CR-PLC	Logical socket	spring	1SVR405650R0200
CR-PSS	Standard socket	screw	1SVR405650R1000

Socket accessories

CR-PH	Plastic holder	1SVR405659R0000
CR-PJ	Jumper bar for sockets with screw connection	1SVR405658R5000

stock items

Assessories for miniature relays CR-M

Type Sockets	Version	Connection	Order number
CR-M2LS	Logical socket for 2 c/o contacts	screw	1SVR405651R1100
CR-M3LS	Logical socket for 3 c/o contacts	screw	1SVR405651R2100
CR-M4LS	Logical socket for 2/4 c/o contacts	screw	1SVR405651R3100
CR-M2LC	Logical socket for 2 c/o contacts	spring	1SVR405651R1200
CR-M4LC	Logical socket for 2/4 c/o contacts	spring	1SVR405651R3200
CR-M2SS	Standard socket for 2 c/o contacts	screw	1SVR405651R1000
CR-M3SS	Standard socket for 3 c/o contacts	screw	1SVR405651R2000
CR-M4SS	Standard socket for 2/4 c/o contacts	screw	1SVR405651R3000
CR-M2SF	Standard socket for 2 c/o contacts	fork type screw	1SVR405651R1300
CR-M4SF	Standard socket for 2/4 c/o contacts	fork type screw	1SVR405651R3300

Socket assessories

CR-MH	Plastic holder	1SVR405659R1000
CR-MH1	Metal holder	1SVR405659R1100
CR-MJ	Jumper bar for sockets with screw connection	1SVR405658R6000

Accessories for universal relays CR-U

Type Sockets	Version	Order Number
CR-U2S	for 2 c/o contacts + module	1SVR405670R0000
CR-U3S	for 3 c/o contacts + module	1SVR405660R0000
CR-U3E	for 3 c/o contacts	1SVR405660R0100
CR-U2SM	for 2 c/o contacts (small version)	1SVR405670R1100
CR-U3SM	for 3 c/o contacts (small version)	1SVR405660R1100

Socket assessories

CR-UH Metal holder	1SVR405669R0000
--------------------	-----------------

Interface Relays and Optocouplers

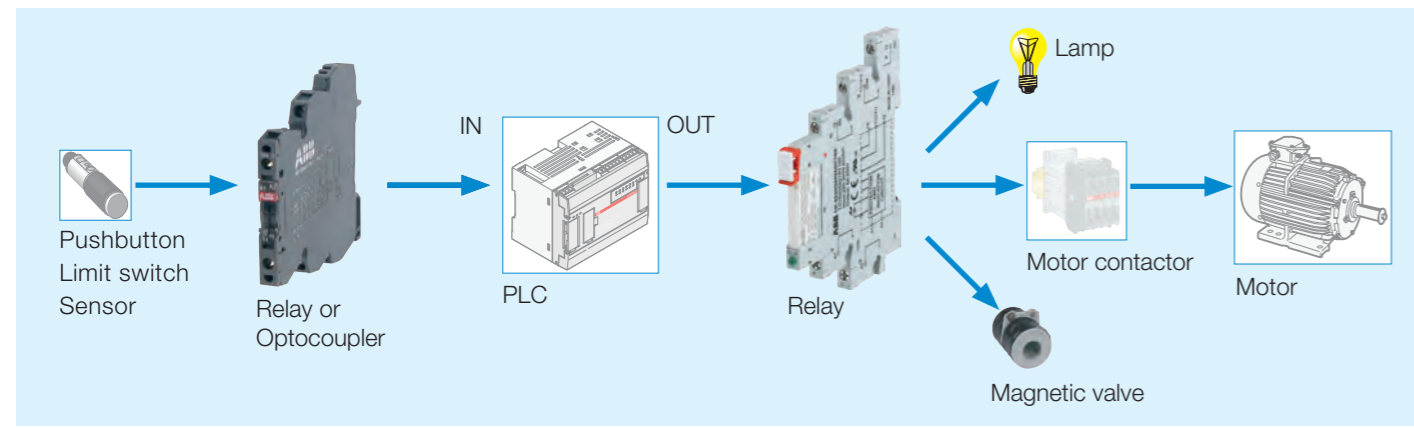
R600 Relays

5

Input voltage	Type	Order number
5 V DC	RB 121-5VDC	1SNA645034R2300
12 V DC	RB 121-5VDC	1SNA645036R2500
24 V DC	RBR 121-5VDC	1SNA645534R2500
48 - 60 V DC	RBR 121-5VDC	1SNA645536R2700
110 - 115 V DC	RB 121-12VDC	1SNA645069R0000
230 V DC	RB 121-12VDC	1SNA645075R0000
60 - 230 V DC	RBR 121-12VDC	1SNA645569R0000
24 V AC	RBR 121-12VDC	1SNA645537R2000
48 - 60 V AC	RB 101AR-24VAC/DC	1SNA645019R0400
115 V AC	RBR 101AR-24VAC/DC	1SNA645519R0600
230 V AC	RB 111A-24VAC/DC	1SNA645014R2700
60 - 230 V AC	RBR 111A-24VAC/DC	1SNA645063R0000
	RB 111AR-24VAC/DC	1SNA645018R0300
	RBR 111A-24VAC/DC	1SNA645514R2100
	RBR 111AI-24VAC/DC	1SNA645563R0200
	RBR 111AR-24VAC/DC	1SNA645518R0500
	RB 121-24VDC	1SNA645064R0100
	RBR 121-24VDC	1SNA645066R0200
	RB 121A-24VAC/DC	1SNA645001R0300
	RBR 121A-24VAC/DC	1SNA645005R0700
	RB 121AI-24VAC/DC	1SNA645032R2100
	RBR 121AI-24VAC/DC	1SNA645009R1300
	RB 121AI-24VAC/DC	1SNA645033R2200
	RBR 121AI-24VAC/DC	1SNA645010R0700
	RBR 121AI-24VAC/DC	1SNA645564R0300
	RBR 121-24VDC	1SNA645566R0400
	RBR 121A-24VAC/DC	1SNA645501R0500
	RBR 121A-24VAC/DC	1SNA645506R0100
	RBR 121AI-24VAC/DC	1SNA645532R2300
	RBR 121AI-24VAC/DC	1SNA645509R1500
	RBR 121AI-24VAC/DC	1SNA645533R2400
	RBR 121AI-24VAC/DC	1SNA645510R0100
	RB 122A-24VAC/DC	1SNA645012R2500
	RBR 122A-24VAC/DC	1SNA645512R2700
	RB 111A-48-60VAC/DC	1SNA645015R2000
	RBR 111A-48-60VAC/DC	1SNA645515R2200
	RB 121A-48-60VAC/DC	1SNA645002R0400
	RBR 121A-48-60VAC/DC	1SNA645006R0000
	RBR 121A-48-60VAC/DC	1SNA645502R0600
	RBR 121A-48-60VAC/DC	1SNA645506R0200
	RB 122A-48-60VAC/DC	1SNA645040R1500
	RBR 122A-48-60VAC/DC	1SNA645540R1700
	RB 121A-115VAC/DC	1SNA645003R0500
	RB 121A-115VAC/DC	1SNA645007R0100
	RBR 121AF-115VAC/DC	1SNA645046R0700
	RBR 121A-115VAC/DC	1SNA645503R0700
	RBR 121A-115VAC/DC	1SNA645507R0300
	RBR 121AR-115VAC/DC	1SNA645546R0100
	RB 122A-115VAC/DC	1SNA645041R0200
	RBR 122A-115VAC/DC	1SNA645541R0400
	RB 111A-115VAC/DC	1SNA645016R2100
	RBR 111A-115VAC/DC	1SNA645516R2300
	RBR 111A-230VAC/DC	1SNA645017R2200
	RBR 111A-230VAC/DC	1SNA645517R2400
	RB 121A-230VAC/DC	1SNA645004R0400
	RBR 121A-230VAC/DC	1SNA645008R1200
	RB 121AR-230VAC/DC	1SNA645011R2400
	RBR 121A-230VAC/DC	1SNA645504R0000
	RBR 121A-230VAC/DC	1SNA645508R1400
	RBR 121AR-230VAC/DC	1SNA645511R2600
	RB 122A-230VAC/DC	1SNA645013R2600
	RBR 122A-230VAC/DC	1SNA645513R2000
	BR 121 A 60-230VAC/DC	1SNA645020R0100
	RBR 121 A 60-230VAC/DC	1SNA645520R0300

5

stock items



- ### Characteristics
- #### R600 series
- Standard range in screw clamp or spring clamp versions
- Spacing : 6 mm
 - Wire size : 2.5 mm² (4 mm² solid wire)
 - Contact type : 1 NO, 1 NC, 1 SPDT, 1 DPDT from 1 mA to 8 A / 250 V
 - Transistor : 100 mA
 - MOS : 1 A to 5 A
 - Triac : 1 A to 2 A

Accessories

Type	Description	Order number	Pack
BAZH1	End Section	1SNK900102R0000	50
BAZ1	End Section	1SNK900002R0000	50
BAM3	End Section	1SNK900001R0000	50
SC 612	Separator end section	1SNA290474R0200	10
BJ 612-10	Divisible shunt 10 poles	1SNA290488R0100	10
FC2	Test plug DIA. 2 mm	000786526	10

Interface Relays and Optocouplers

R600 Optocouplers

Input voltage

- 5 - 12 V DC
- 24 V DC
- 48 - 60 V DC
- 115 - 230 V DC
- 115 V DC
- 230 V DC
- 24 V AC
- 48 - 60 V AC
- 115-230 V AC
- 115 V AC
- 230 V AC

Output rating

- 100 mA
- 2 A
- 5 A
- 1 A

Output voltage

- 58 V DC
- 400 V AC

Terminal type

- Screw
- Spring

■ stock items

Type	Order number
OBIC 0100 5-12VDC	1SNA645047R0000
OBIC 0100 5-12VDC	1SNA645547R0200
OBIC 0100 24VDC	1SNA645021R2600
OBIC 0100 24VDC	1SNA645521R2000
OBIC 0100 48-60VAC/DC	1SNA645049R1200
OBIC 0100 48-60VAC/DC	1SNA645549R1400
OBIC 0100 115-230VAC/DC	1SNA645022R2700
OBIC 0100 115-230VAC/DC	1SNA645522R2100
OBIC 1000-5-12VDC	1SNA645050R1700
OBIC 1000-5-12VDC	1SNA645550R1100
OBIC 1000-24VDC	1SNA645051R0400
OBIC 1500-24VAC/DC	1SNA645025R2200
OBIC 5000-24VDC	1SNA645024R2100
OBROC 1000-24VDC	1SNA645551R0600
OBROC 1500-24VAC/DC	1SNA645525R2400
OBROC 5000-24VDC	1SNA645524R2300
OBIC 1000-48-60VAC/DC	1SNA645053R0600
OBROC 1000-48-60VAC/DC	1SNA645553R0000
OBIC 1000-115VAC/DC	1SNA645054R0700
OBIC 5000-115VAC/DC	1SNA645058R1300
OBROC 1000-115VAC/DC	1SNA645554R0100
OBROC 5000-115VAC/DC	1SNA645558R1500
OBIC 1000-230VAC/DC	1SNA645026R2300
OBIC 5000-230VAC/DC	1SNA645059R1400
OBROC 1000-230VAC/DC	1SNA645526R2500
OBROC 5000-230VAC/DC	1SNA645559R1600
OBOA 1000-24VDC	1SNA645027R2400
OBOA 2000-24VDC	1SNA645029R0600
OBROA 1000-24VDC	1SNA645527R2600
OBROA 2000-24VDC	1SNA645529R0000
OBOA 1000-48-60VAC/DC	1SNA645061R0600
OBROA 1000-48-60VAC/DC	1SNA645561R0000
OBOA 1000-115VAC/DC	1SNA645062R0700
OBROA 1000-115VAC/DC	1SNA645562R0100
OBOA 1000-230VAC/DC	1SNA645028R0500
OBROA 1000-230VAC/DC	1SNA645528R0700

Accessories

Type	Description	Order number	Pack
BAZH1	End Section	1SNK900102R0000	50
BAZ1	End Section	1SNK900002R0000	50
BAM3	End Section	1SNK900001R0000	50
SC 612	Separator end section	1SNA290474R0200	10
BJ 612-10	Divisible shunt 10 poles	1SNA290488R0100	10
FC2	Test plug DIA. 2 mm	000786526	10



CR-S Relay

Socket Order code	Socket Type	Relay Type	Relay Order code
1SVR405521R1100	CR-S006/024VDC1SS	CR-S005VDC1R	1SVR405501R1010
1SVR405521R1200	CR-S006/024VDC1SZ	CR-S005VDC1R	1SVR405501R1010
1SVR405521R3100	CR-S012/024VDC1SS	CR-S012VDC1R	1SVR405501R2010
1SVR405521R3200	CR-S012/024VDC1SZ	CR-S012VDC1R	1SVR405501R2010
1SVR405521R3100	CR-S012/024VDC1SS	CR-S024VDC1R	1SVR405501R3010
1SVR405521R3200	CR-S012/024VDC1SZ	CR-S024VDC1R	1SVR405501R3010
1SVR405521R5100	CR-S048/060VADC1SS	CR-S048VDC1R	1SVR405501R4010
1SVR405521R5200	CR-S048/060VADC1SZ	CR-S048VDC1R	1SVR405501R4010
1SVR405521R5100	CR-S048/060VADC1SS	CR-S060VDC1R	1SVR405501R5010
1SVR405521R5200	CR-S048/060VADC1SZ	CR-S060VDC1R	1SVR405501R5010
1SVR405521R6100	CR-S110/125VADC1SS	CR-S060VDC1R	1SVR405501R5010
1SVR405521R6200	CR-S110/125VADC1SZ	CR-S060VDC1R	1SVR405501R5010
1SVR405521R7100	CR-S220/240VADC1SS	CR-S060VDC1R	1SVR405501R5010
1SVR405521R7200	CR-S220/240VADC1SZ	CR-S060VDC1R	1SVR405501R5010
1SVR405521R1100	CR-S006/024VDC1SS	CR-S005VDC1RG	1SVR405501R1020
1SVR405521R1200	CR-S006/024VDC1SZ	CR-S005VDC1RG	1SVR405501R1020
1SVR405521R3100	CR-S012/024VDC1SS	CR-S012VDC1RG	1SVR405501R2020
1SVR405521R3200	CR-S012/024VDC1SZ	CR-S012VDC1RG	1SVR405501R2020
1SVR405521R5100	CR-S012/024VDC1SS	CR-S024VDC1RG	1SVR405501R3020
1SVR405521R5200	CR-S012/024VDC1SZ	CR-S024VDC1RG	1SVR405501R3020
1SVR405521R6100	CR-S048/060VADC1SS	CR-S048VDC1RG	1SVR405501R4020
1SVR405521R6200	CR-S048/060VADC1SZ	CR-S048VDC1RG	1SVR405501R4020
1SVR405521R5100	CR-S048/060VADC1SS	CR-S060VDC1RG	1SVR405501R5020
1SVR405521R5200	CR-S048/060VADC1SZ	CR-S060VDC1RG	1SVR405501R5020
1SVR405521R6100	CR-S110/125VADC1SS	CR-S060VDC1RG	1SVR405501R5020
1SVR405521R6200	CR-S110/125VADC1SZ	CR-S060VDC1RG	1SVR405501R5020
1SVR405521R7200	CR-S220/240VADC1SS	CR-S060VDC1RG	1SVR405501R5020
1SVR405521R7200	CR-S220/240VADC1SZ	CR-S060VDC1RG	1SVR405501R5020

¹⁾ If specified maximum value is exceeded, the gold plating will be destroyed. Then, the output rating will be the same as the standard relay.

stock items

Accessories

Type	Description	Order number
CR-SJB20-BLUE	Jumper bar 20 pole, blue color	1SVR405598R0700
CR-SJB20-RED	Jumper bar 20 pole, red color	1SVR405598R0800
CR-SJB20-BLACK	Jumper bar 20 pole, black color	1SVR405598R0900
CR-SM	Marker block	1SNB041391R0610
CR-SSEP	Separator	1SVR405599R0000

Characteristics

CR-S series

- Standard slim relays (5 mm), sockets (6.2 mm) and accessories
- Combination of 9 different rated control supply voltages possible:
 - DC versions: 5 V, 12 V, 24 V
 - AC/DC versions: 12 V, 24 V, 48 V, 60V, 110 V, 230 V
- Output: 1 c/o (SPDT) contacts (6 A), standard and goldplated contacts
- Cadmium-free contact material
- All sockets with LED
- Screw and spring connection terminals
- Jumper bar (red, black, blue), marker and separator available as accessories



Logic Relays CL Range

Stand Alone

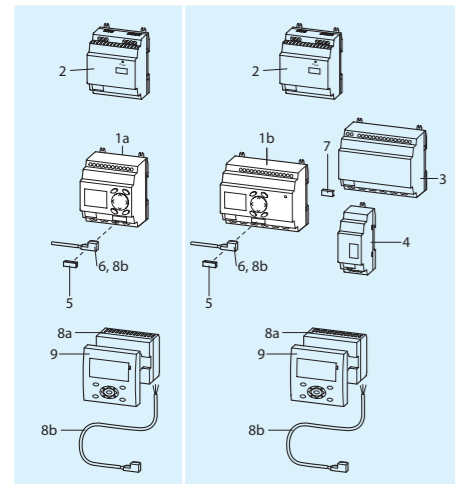
Expandable

Expansions

	Stand Alone								Expandable								Expansions															
	Order number								Type								Order number								Type							
Digital inputs	1SVR440712R0300	1SVR440712R0200	1SVR440713R0100	1SVR440713R0300	1SVR440713R0200	1SVR440710R0300	1SVR440710R0200	1SVR440711R0100	1SVR440711R0300	1SVR440711R1200	1SVR440722R0300	1SVR440722R0200	1SVR440723R0300	1SVR440723R0200	1SVR440720R0300	1SVR440720R0200	1SVR440721R0300	1SVR440721R0200	1SVR440721R1300	1SVR440721R1200	1SVR440722R0300	1SVR440722R0200	1SVR440723R0300	1SVR440723R0200	1SVR440720R0300	1SVR440720R0200	1SVR440721R0300	1SVR440721R0200	1SVR440721R1300	1SVR440721R1200		
Usable as Analogue inputs	2	2				2	2	2	2	2	4	4			4	4	4	4	4	2												
Relay outputs	4	4	4	4	4	4	4	4	4	4	6	6	6	6	6	6	6	6	6	6	2	6	6									
Transistor outputs																				8	8											
Display and keypad	■		■	■		■	■	■	■	■	■		■		■		■		■													
Realtime clock	■	■		■	■	■					■	■	■	■	■	■	■	■	■	■												
Expandable											1	1	1	1	1	1	1	1	1	1												
Rated supply voltage U _s																																
12 V DC				■	■																											
24 V DC						■	■	■	■	■																						
24 V AC	■	■									■	■																				
110 - 240 V AC			■	■	■																											

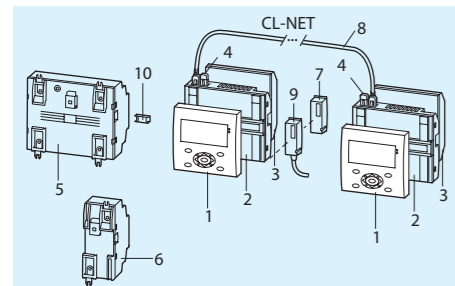
stock items

Stand alone Expandable



- Logic relay CL-LS..
- Expandable logic relay CL-LM..
- Power supply CP-D...
- I/O expansion CL-LER..., CL-LET.. for logic relays CL-LM..
- Coupler unit CL-LEC.. for remote expansion of logic relays CL-LM..
- Memory module CL-LAS.MD003 for logic relays CL-LS..., CL-LM..
- Connecting cable CL-LAS.TK001, CL-LAS.TK002 to connect PC CL-LINK plug CL-LAS.TK011 to connect expansion to logic relays CL-LM..
- Remote display connection module CL-LDC.S..
- Connecting cable CL-LAD.TK007 to connect a remote displays to a logic relay
- Display module CL-LDD..

Display system Compact HMI logic relay



- Display module CL-LDD..
- Display base module CL-LDC.LN..
- Display I/O module CL-LDR..., CL-LDT..
- Termination resistor CL-LAD.TK009
- I/O expansion CL-LER..., CL-LET..
- Coupler unit CL-LEC.. for remote expansion
- Memory module CL-LAD.MD004 for display base module
- Connecting cable CL-LAD.TK002, CL-LAD.TK003, CL-LAD.TK004
- Connecting cable CL-LAD.TK001, CL-LAD.TK011 to connect PC
- CL-LINK plug CL-LAS.TK011 for expansion of logic relays CL-LM.. e.g. door of switchgear cabinet

Display Systems

	Order number				
	Type				
Digital inputs	12	12	12	12	12
Analogue inputs	4	4	4	4	4
Analog outputs			1		1
Relay outputs	4	4	4		
Transistor outputs				4	4
Rated supply voltage U _s					
24 V DC		■	■	■	■
110 - 240 V AC	■				

Accessories CL range

Type	For logic relay	For display system	Description	Order code
Display modules				
CL-LDD.XK	■	■	Graphic display, 132 x 64 pixels	1SVR440839R4500
CL-LDD.K	■	■	Graphic display, 132 x 64 pixels, with keypad	1SVR440839R4400
Remote display connection modules				
CL-LDC.SDC2	■	■	Module to displace display from the logic relay, 5 m, length adjustable, 24 V DC	1SVR440841R0000
CL-LDC.SAC2	■	■	Module to displace display from the logic relay, 5 m, length adjustable, 100-240 V AC	1SVR440843R0000
Display base modules				
CL-LDC.LDC2	-	■	CPU / power supply, 24 V DC	1SVR440821R0000
CL-LDC.LAC2	-	■	CPU / power supply, 100-240 V AC	1SVR440823R0000
CL-LDC.LNDC2	-	■	CPU / power supply, networking-compatible (CL-NET), 24 V DC	1SVR440821R1000
CL-LDC.LNAC2	-	■	CPU / power supply, networking-compatible (CL-NET), 100-240 V AC	1SVR440823R1000
Accessories for logic relays and display system				
CL-LAS.PS002	■	■	Software for programming and control of CL range devices	1SVR440799R8000
CL-LAS.MD003	■	-	Memory module for logic relays (32 kB)	1SVR440799R7000
CL-LAD.MD004	-	■	Memory module for display base modules (256 kB)	1SVR440899R7000
CL-LAS.TK001	■	-	Cable with serial interface to connect PC and logic relay (length 2m)	1SVR440799R6000
CL-LAD.TK001	-	■	Cable with serial interface to connect PC and display base module (length 2 m)	1SVR440899R6000
CL-LAS.TK002	■	-	Cable with USB interface to connect PC and logic relay	1SVR440799R6100
CL-LAD.TK011	-	■	Cable with USB interface to connect PC and display base module	1SVR440899R6700
CL-LAD.TK002	-	■	Network cable (CL-NET) to connect 2 display base modules (length 0.3 m)	1SVR440899R6100
CL-LAD.TK003	-	■	Network cable (CL-NET) to connect 2 display base modules (length 0.8 m)	1SVR440899R6200
CL-LAD.TK004	-	■	Network cable (CL-NET) to connect 2 display base modules (length 1.5 m)	1SVR440899R6300
CL-LAD.TK007	■	-	Cable for point-to-point connection of remote-display connection module and logic relay, length adaptable (length 2 m)	1SVR440899R6600
CL-LAD.TK005	-	■	Cable for point-to-point connection of remote display connection modules and display base module, length adaptable (length 5 m)	1SVR440899R6400
CL-LAD.TK006	-	■	Cable for point-to-point connection of 2 display base modules, length adaptable (length 5 m)	1SVR440899R6500
CL-LAS.TK011	■	■	Spare plug (CL-LINK) for connection of logic relay to expansion	1SVR440799R5100
CL-LAD.TK009	-	■	Termination resistor (2 pieces)	1SVR440899R6900
CL-LAS.FD001	■	-	Fixing brackets for screw mounting of logic relay, expansion, display base module (9 pieces)	1SVR440799R5000
CL-LAD.FD002	-	■	Tool for mounting of display modules	1SVR440899R3000
CL-LAS.TD001	■	-	Input-/ output simulator with wall power supply, fits to CL-LSR and CL-LST Rated input voltage 100-240 V AC, rated output voltage 24 V DC	1SVR440793R0000
CL-LAD.FD001	-	■	Protective cover, transparent, for harsh environmental conditions and application in the food industry	1SVR440899R1000
CL-LAD.FD011	-	■	Protective cover, transparent and sealable	1SVR440899R2000
Power supplies				
CP-D 24/0.42	■	-	24 V DC / 0.42 A; Input 100 - 240 V AC	1SVR427041R0000
CP-D 24/1.3	■	-	24 V DC / 1.3 A; Input 100 - 240 V AC	1SVR427043R0100

KLINKMANN

Riga
tel. +371 6738 1617
klinkmann@klinkmann.lv

Helsinki
tel. +358 9 540 4940
automation@klinkmann.fi

Yekaterinburg
tel. +7 343 287 19 19
yekaterinburg@klinkmann.spb.ru

Vilnius
tel. +370 5 215 1646
post@klinkmann.lt

St. Petersburg
tel. +7 812 327 3752
klinkmann@klinkmann.spb.ru

Samara
tel. +7 846 273 95 85
samara@klinkmann.spb.ru

Tallinn
tel. +372 668 4500
klinkmann.est@klinkmann.ee

Moscow
tel. +7 495 641 1616
moscow@klinkmann.spb.ru

Kiev
tel. +38 044 495 33 40
klinkmann@klinkmann.kiev.ua

Minsk
tel. +375 17 200 0876
minsk@klinkmann.com